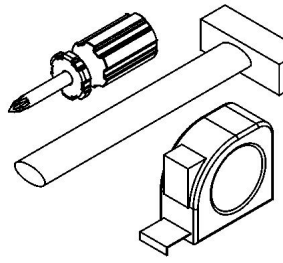
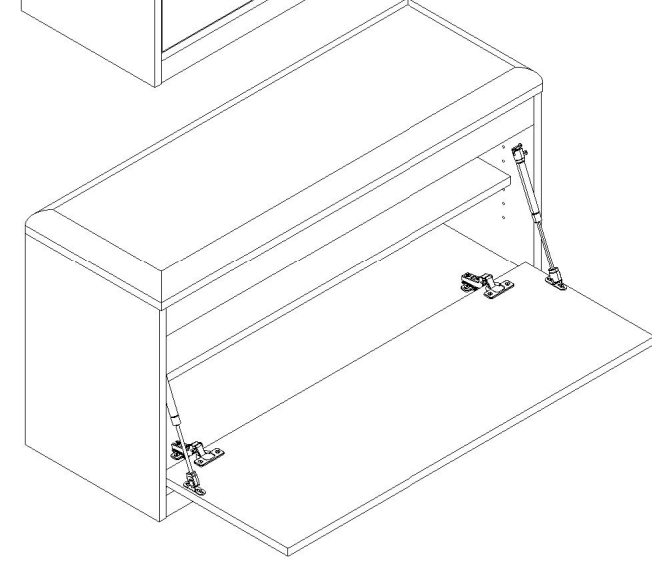
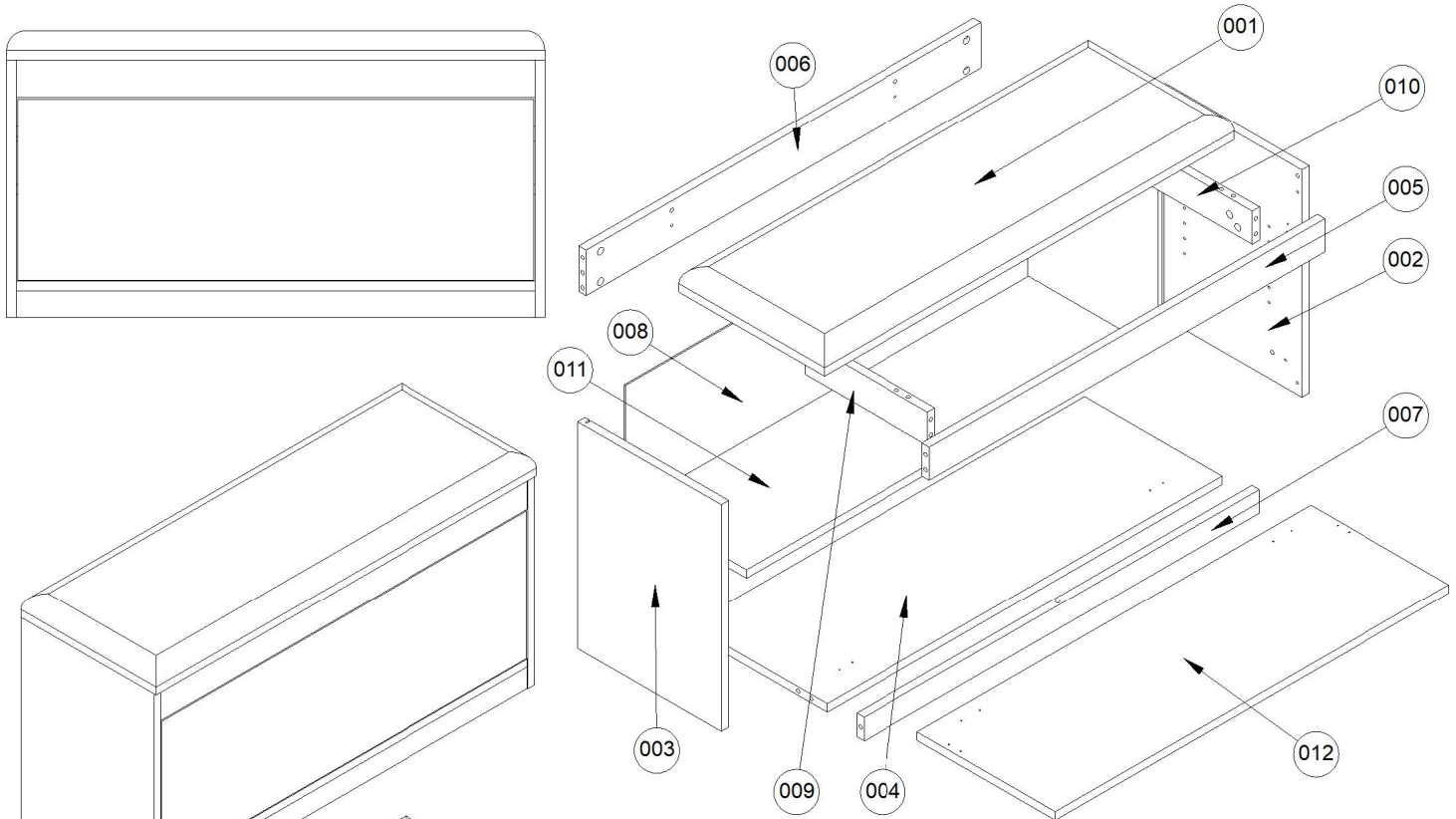


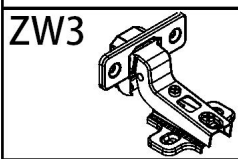
- 45 min.



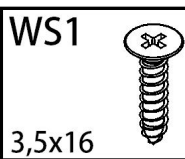
# SZB100



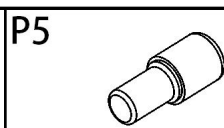
Number	Qty	Size A	Size B
001	1	1000	355
002	1	480	350
003	1	480	350
004	1	964	335
005	1	70	964
006	1	96	964
007	1	50	964
008	1	352	982
009	1	70	299
010	1	70	299
011	1	964	275
012	1	337	960



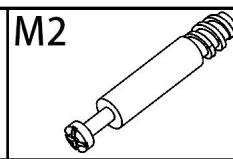
x2



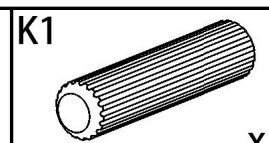
x40



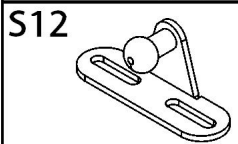
x4



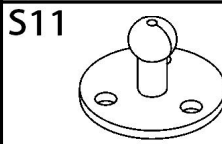
x21



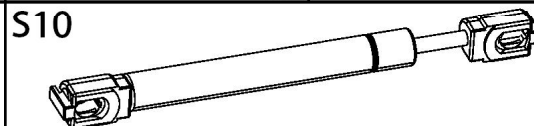
x16



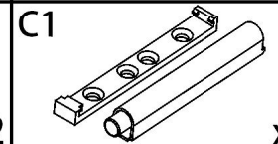
x2



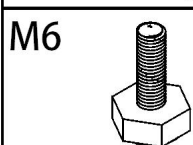
x2



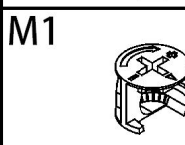
x2



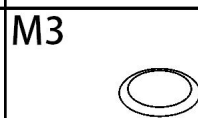
x1




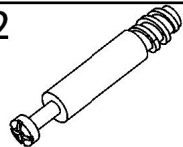


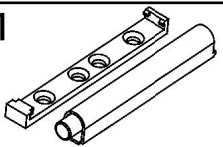
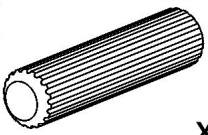
x4

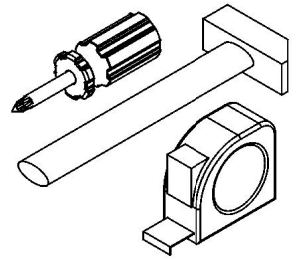


x21

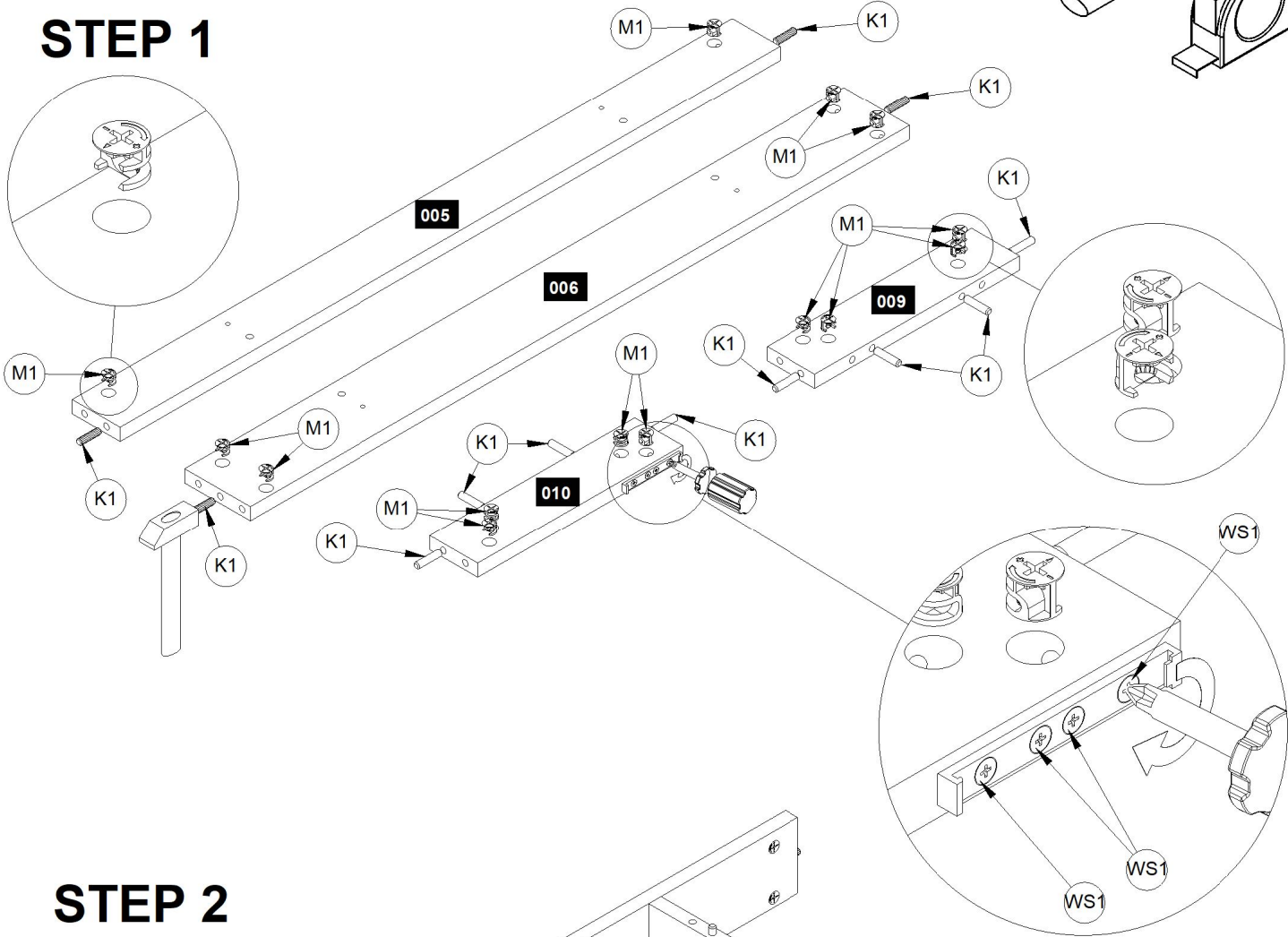


x21

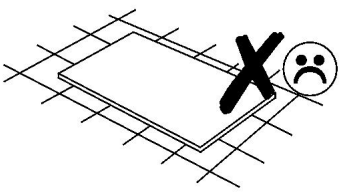
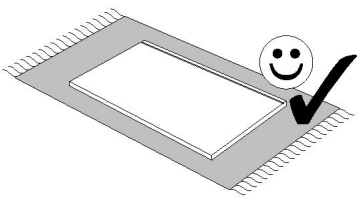
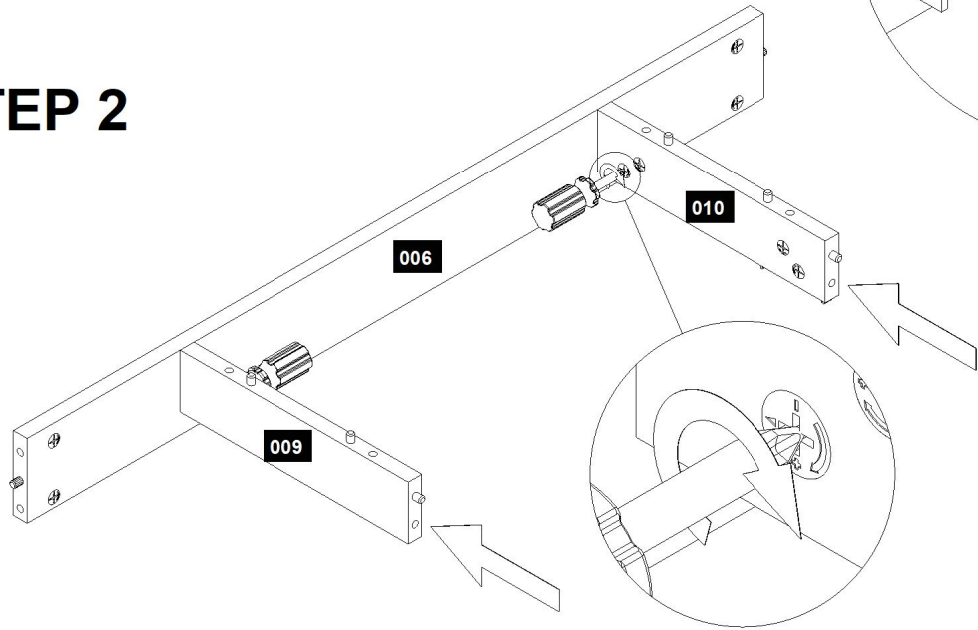
<b>M1</b>  x21	<b>M2</b>  x21	<b>M3</b>  x21	<b>WS1</b>  3,5x16 x40	<b>C1</b>  x1
<b>K1</b>  x16				

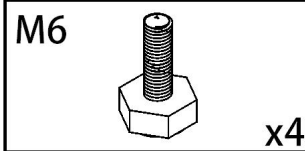
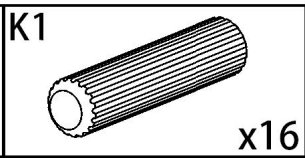
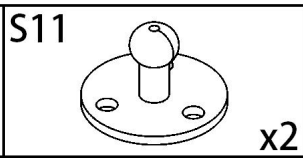
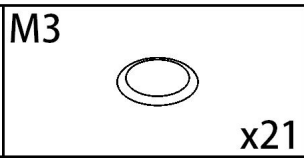
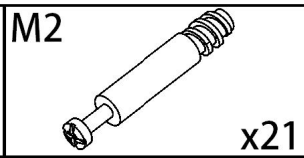
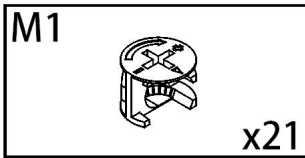


### STEP 1

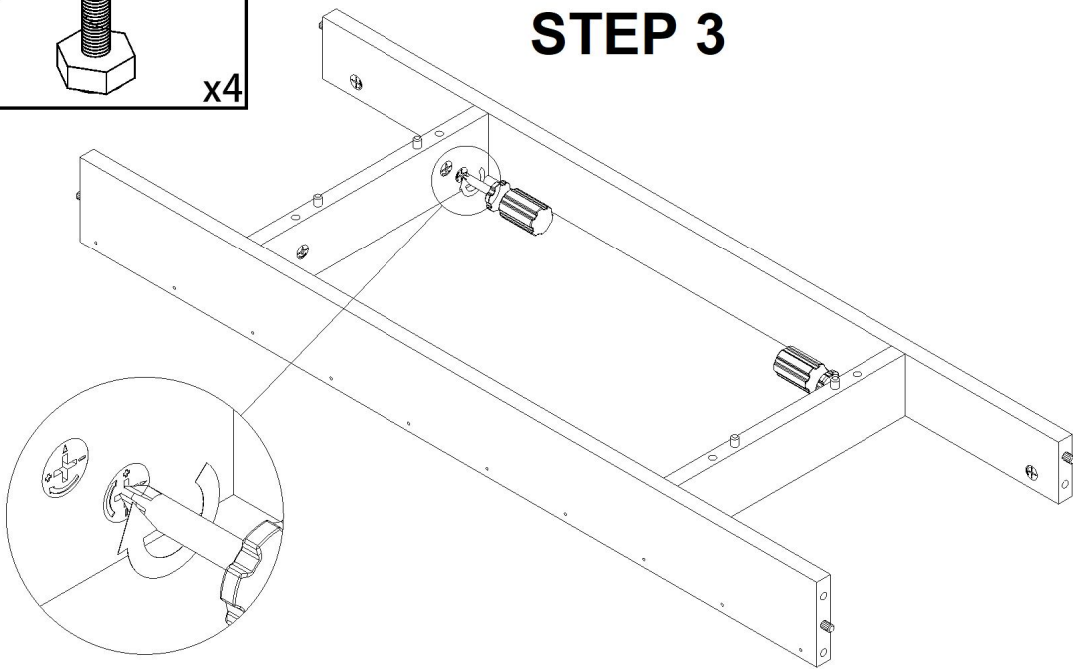
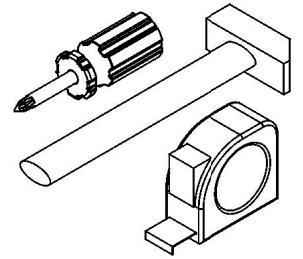


### STEP 2

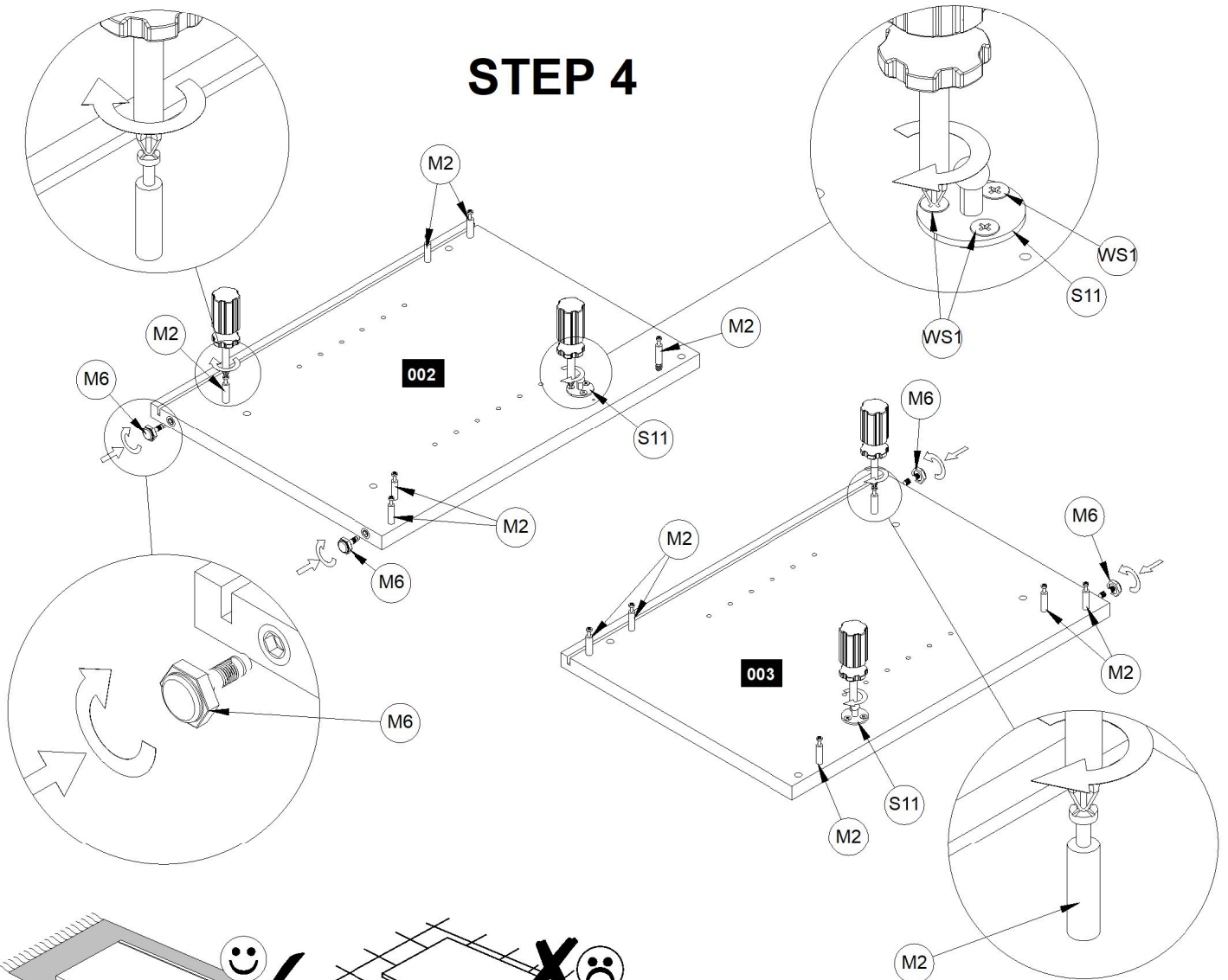


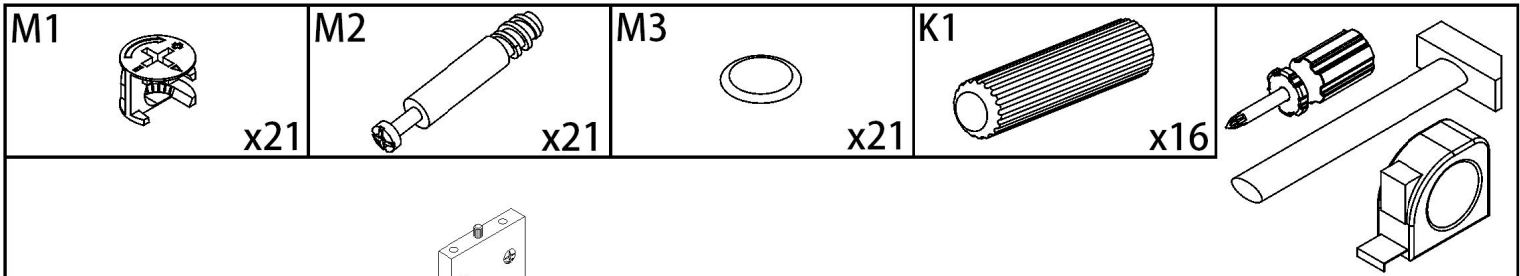


### STEP 3

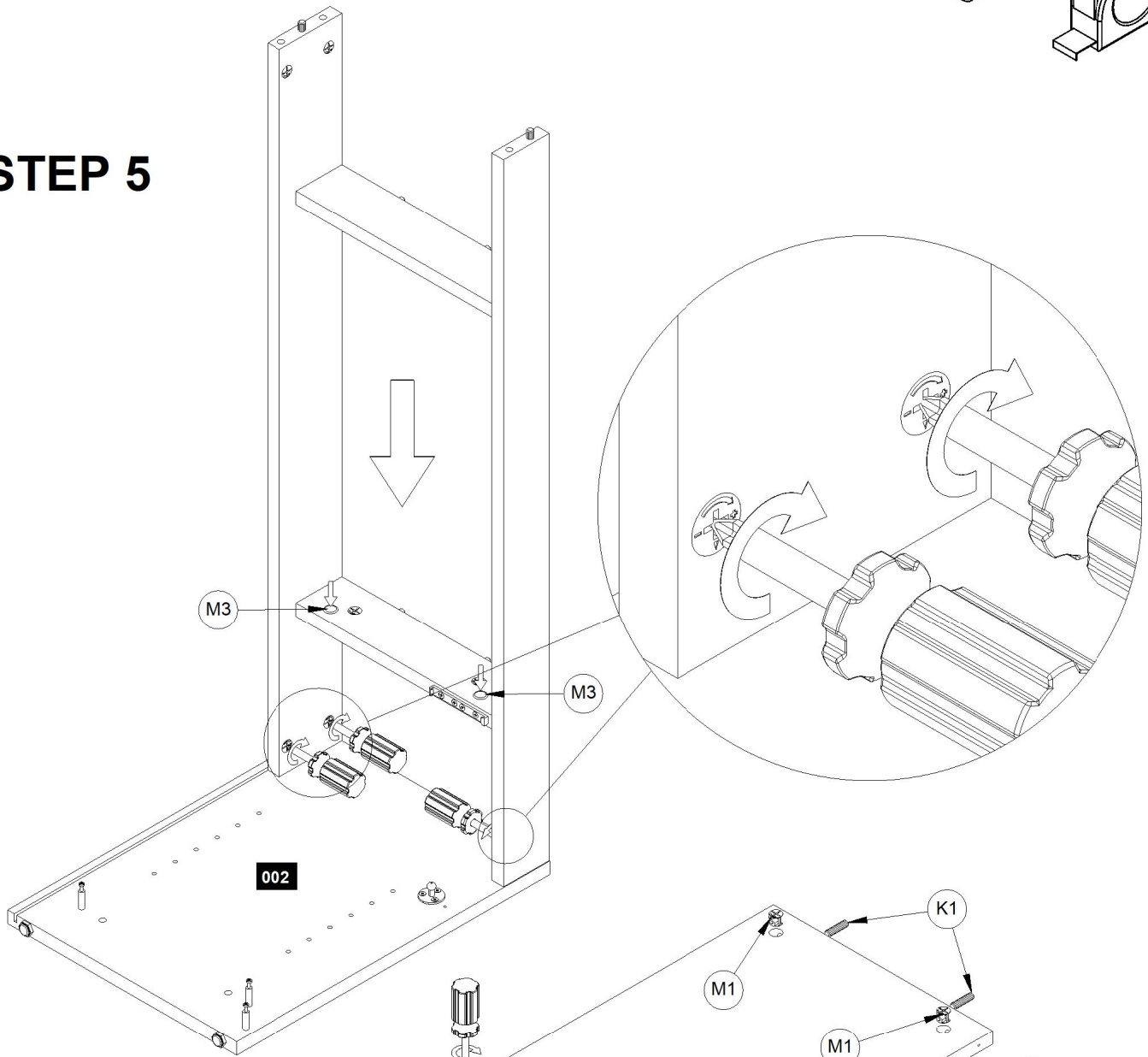


### STEP 4

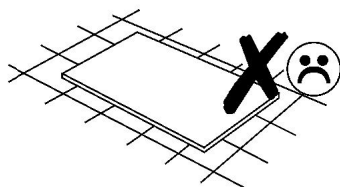
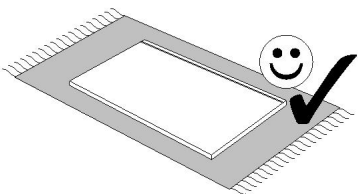
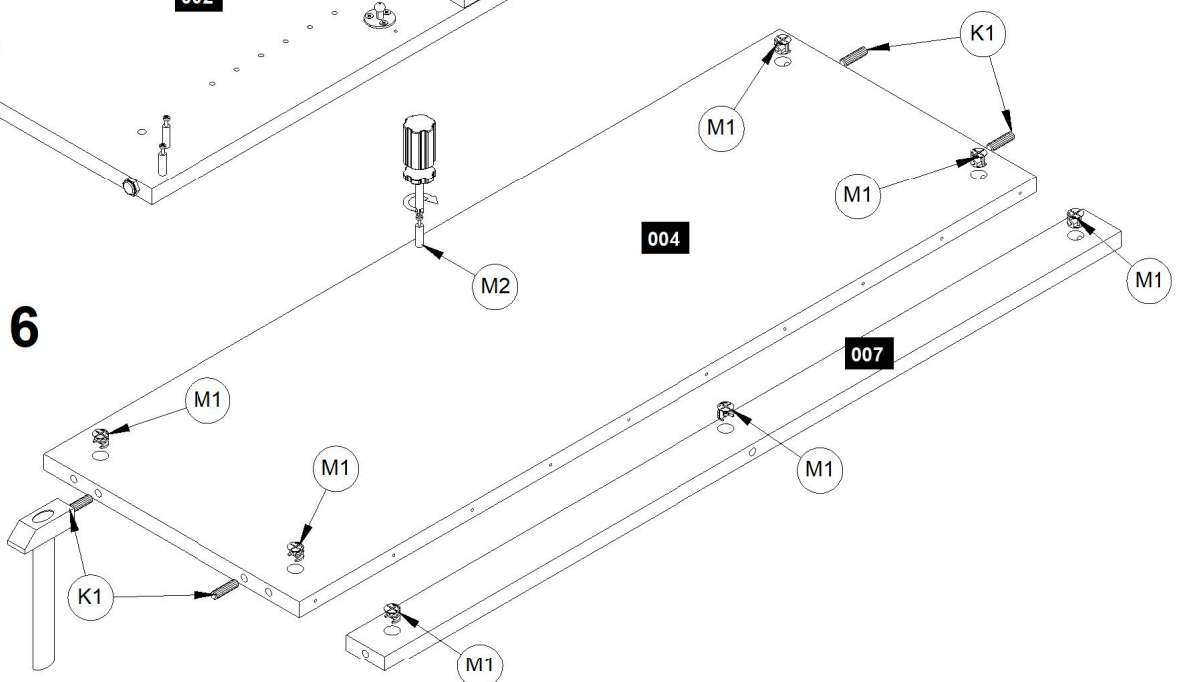




## STEP 5



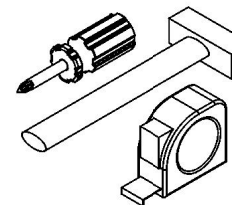
## STEP 6



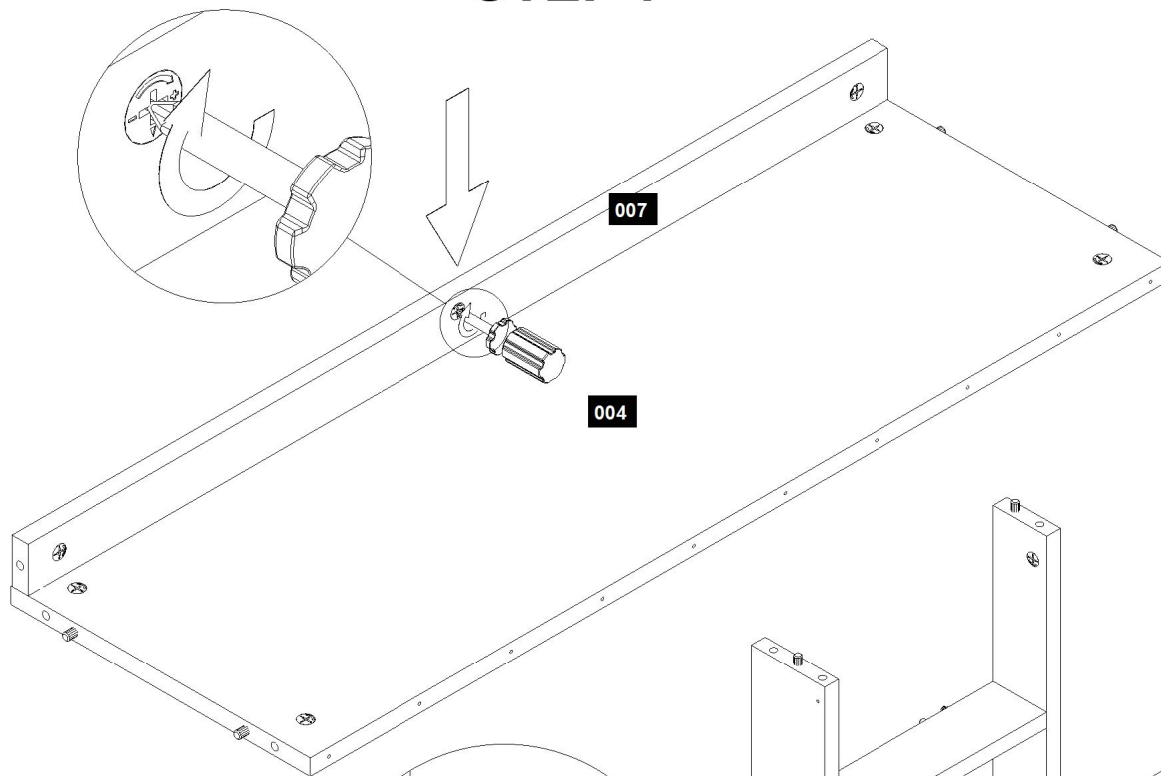
M3



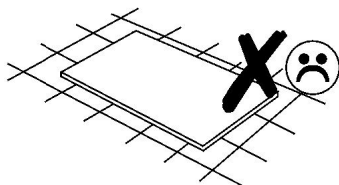
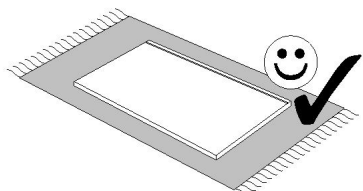
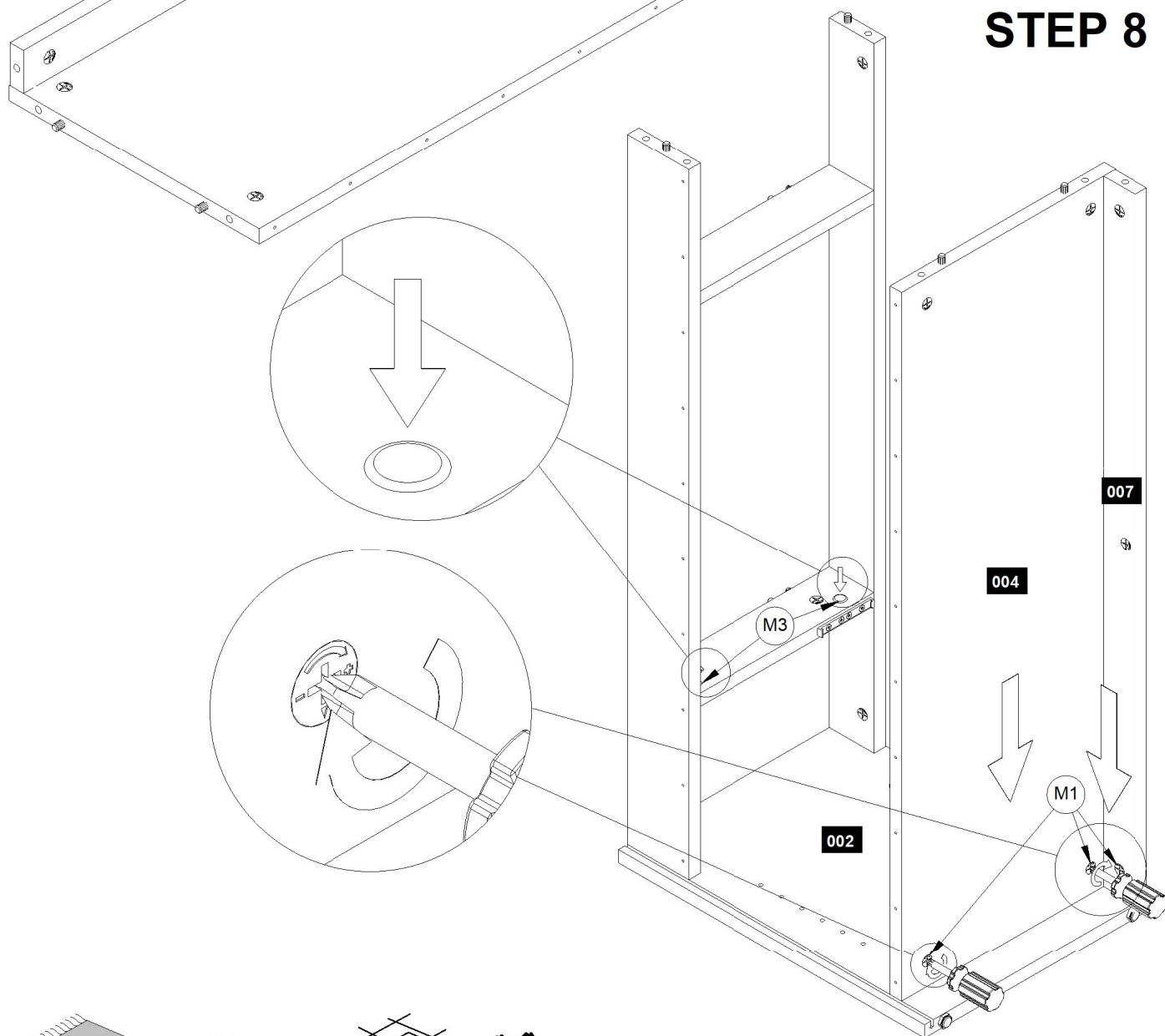
x21



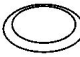


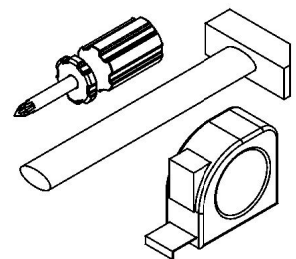
# STEP 7



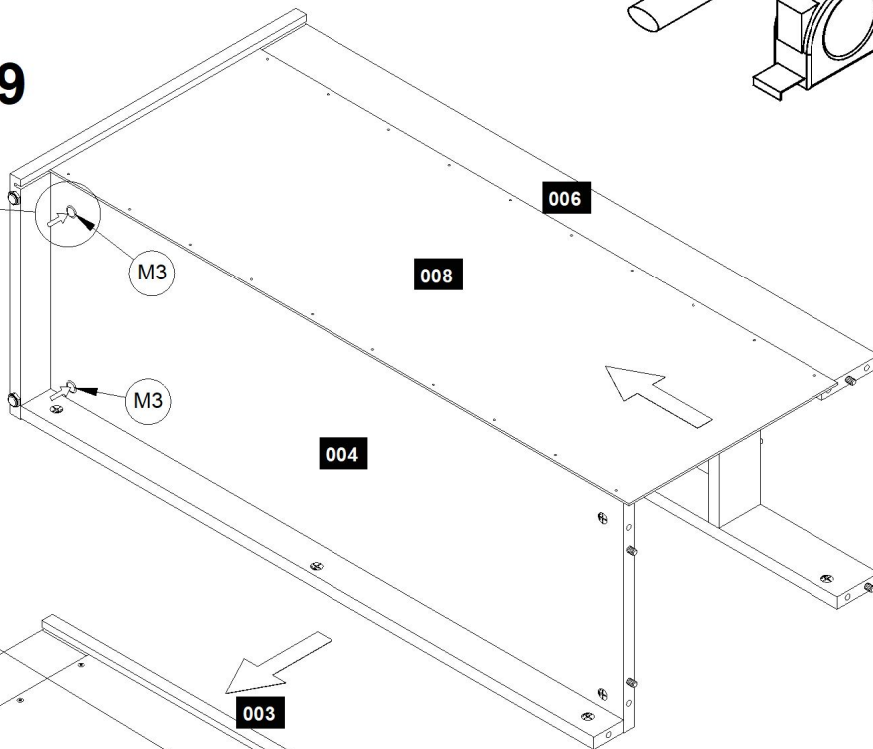
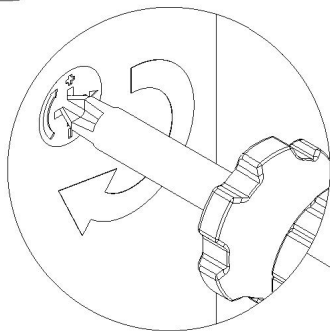
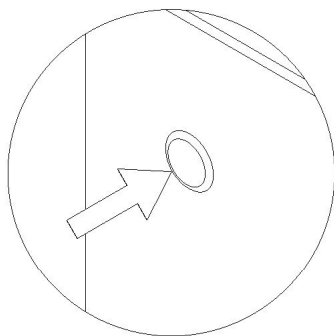
# STEP 8



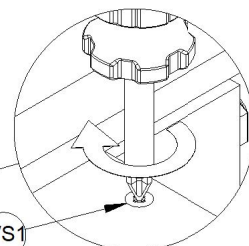
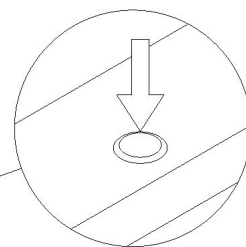
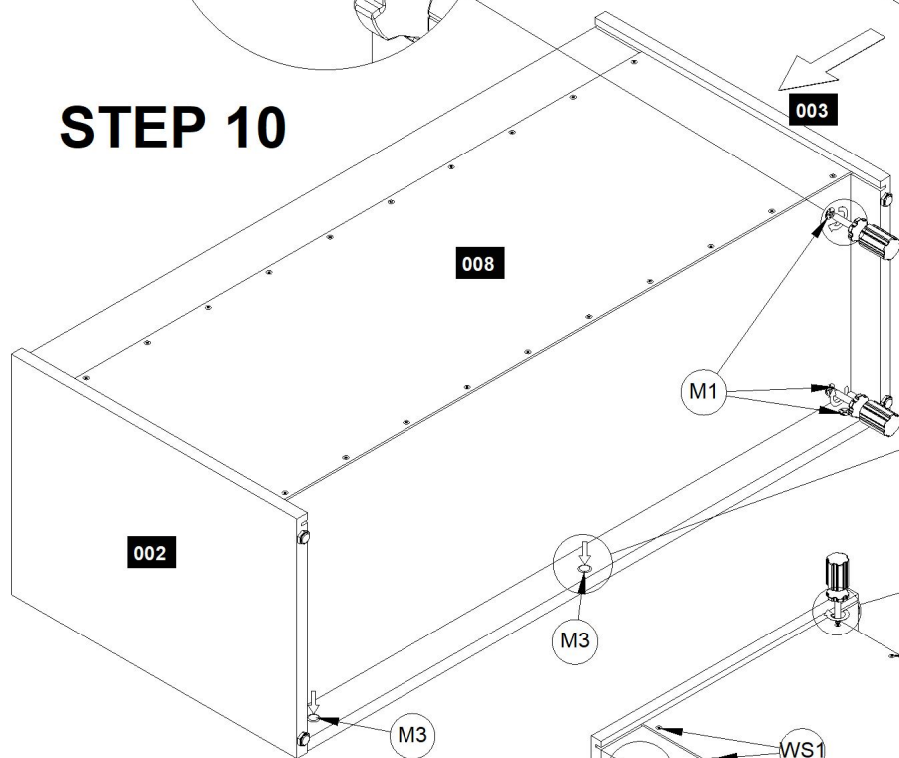
<b>M1</b>  <b>x21</b>	<b>WS1</b>  <b>3,5x16</b> <b>x40</b>	<b>M3</b>  <b>x21</b>
---	---	---



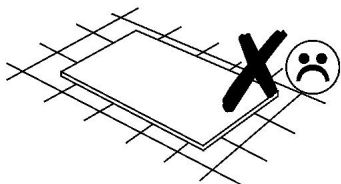
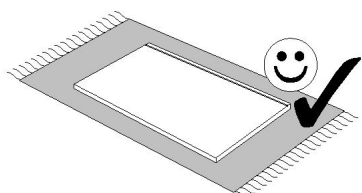
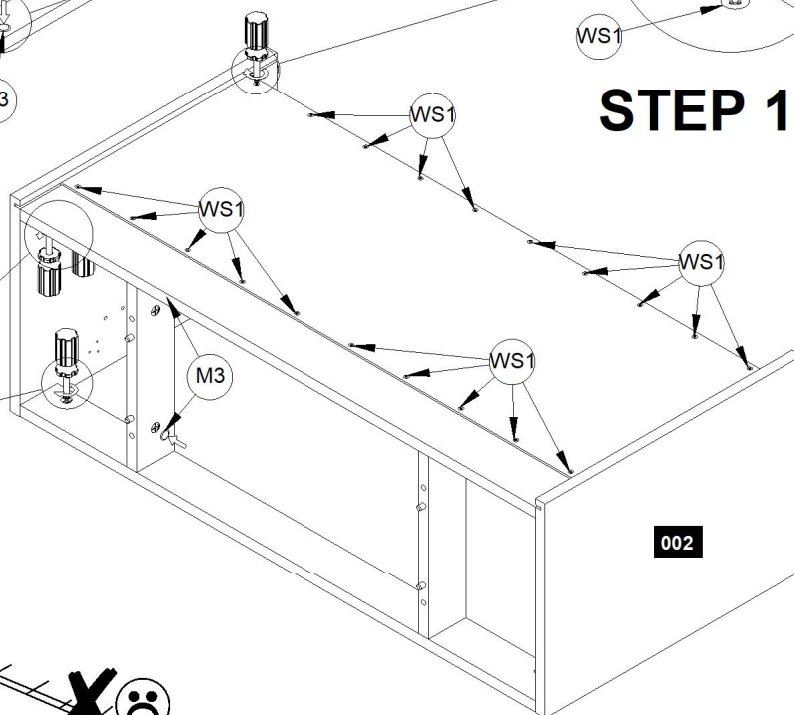
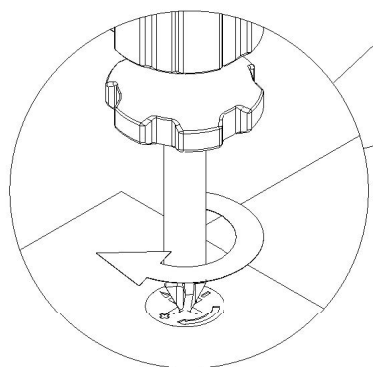
## STEP 9

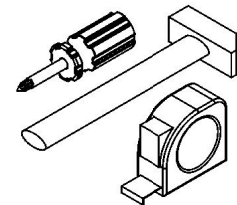
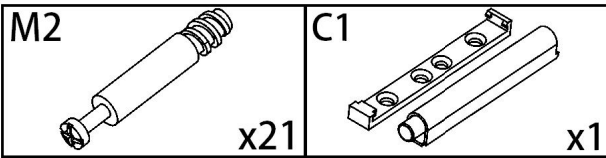


## STEP 10

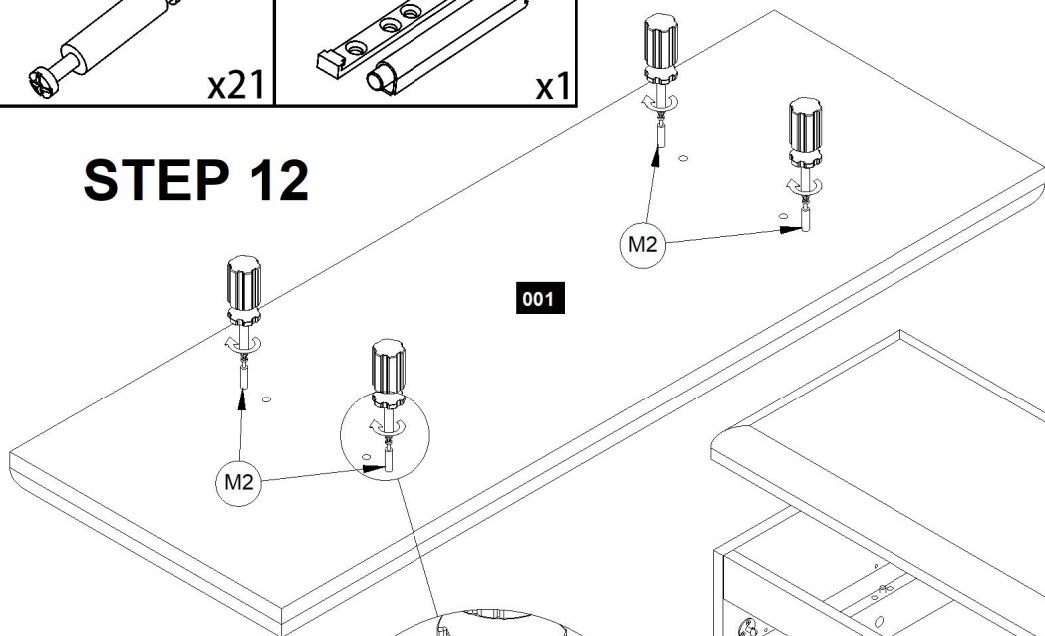


## STEP 11





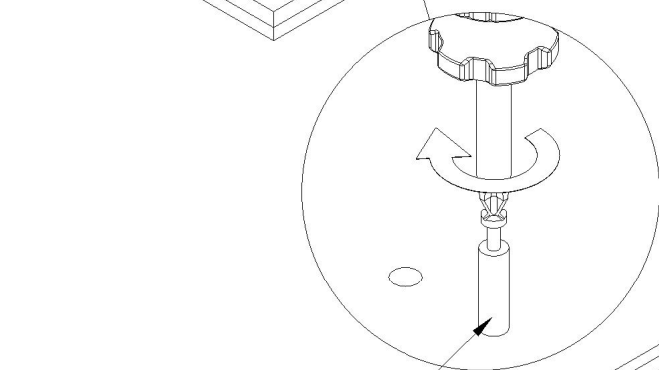
## STEP 12



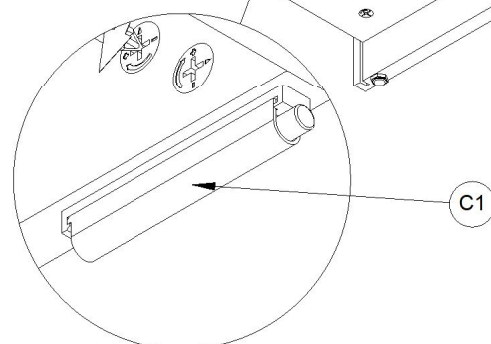
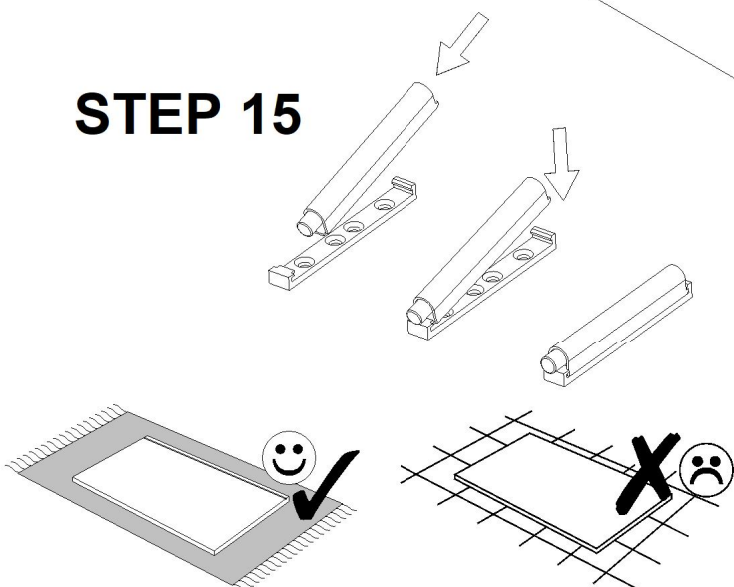
## STEP 13



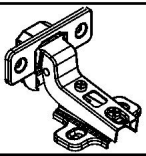
## STEP 14



## STEP 15

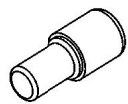


ZW3



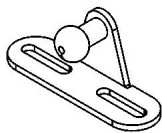
x2

P5



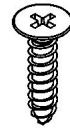
x4

S12



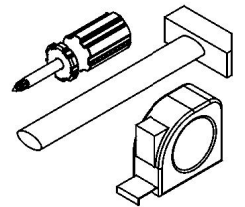
x2

WS1

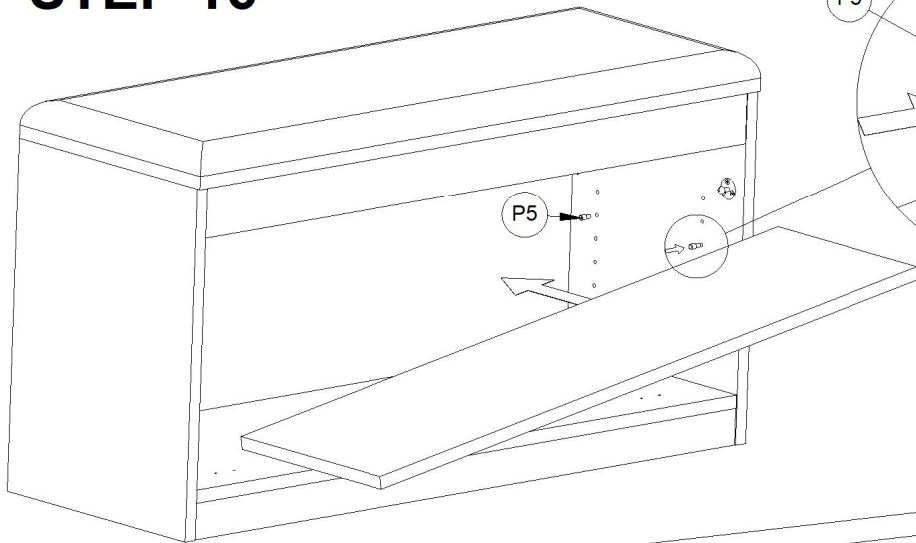


3,5x16

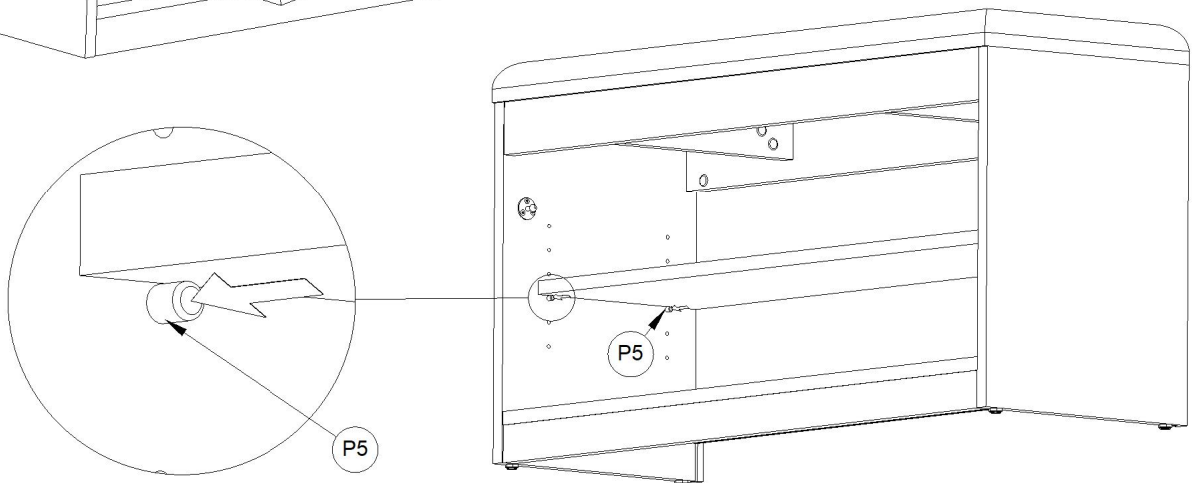
x40



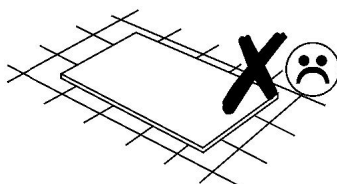
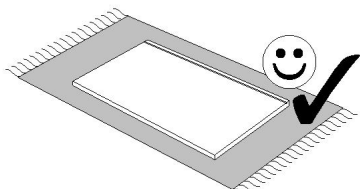
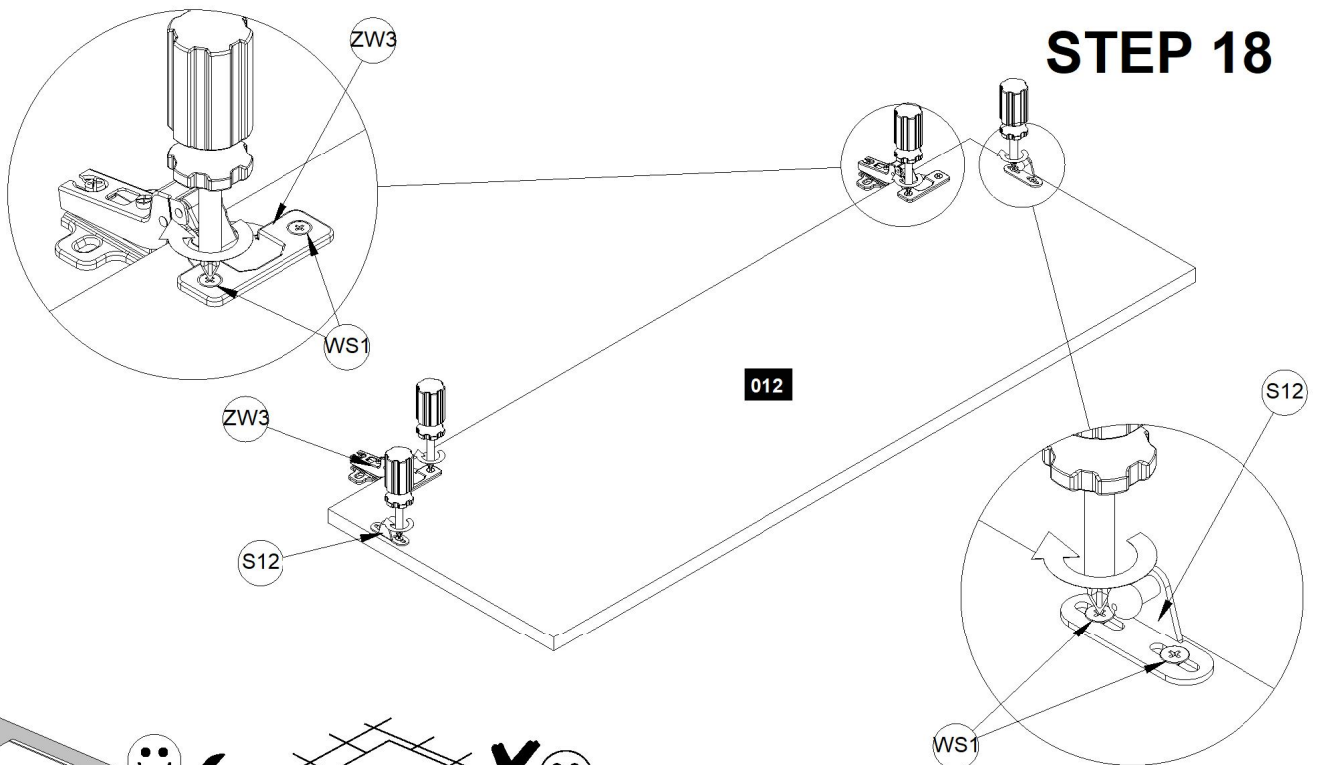
# STEP 16



# STEP 17

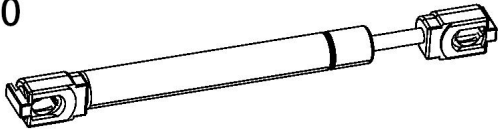


# STEP 18



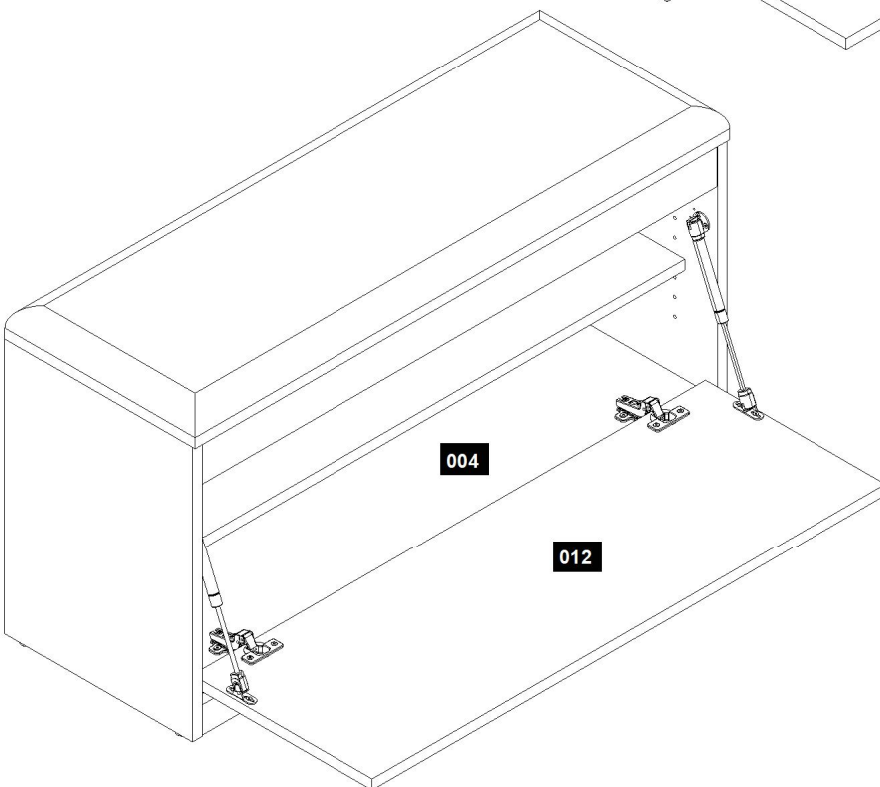
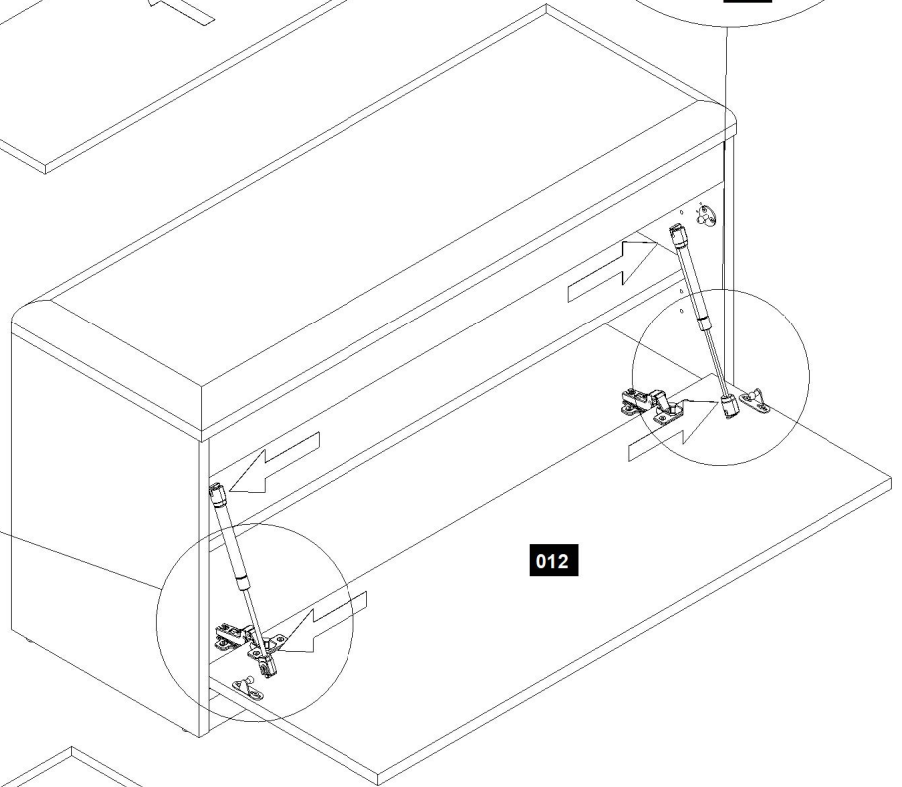
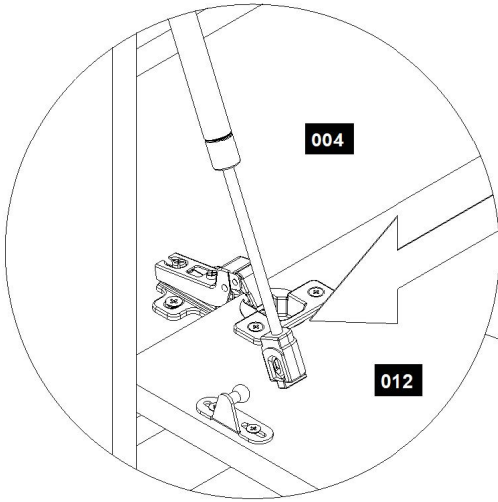
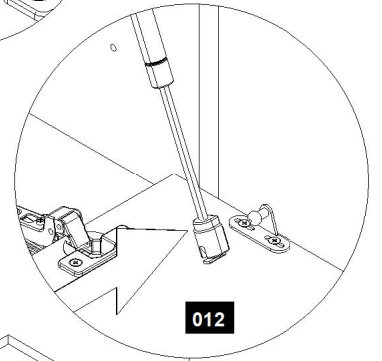
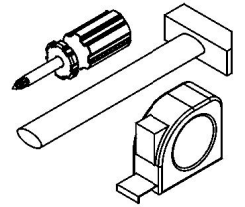
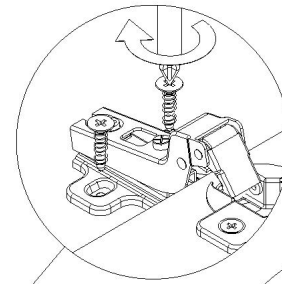
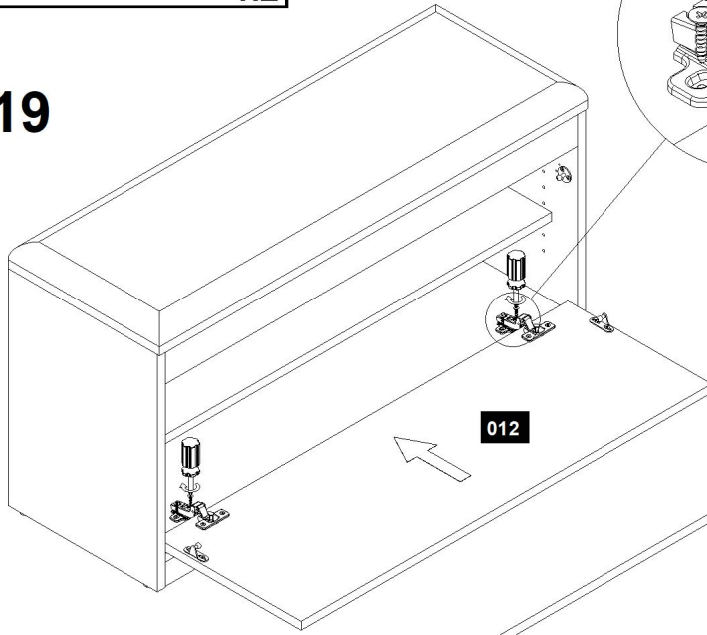


S10

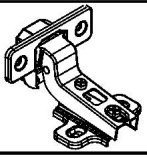


x2

# STEP 19



ZW3



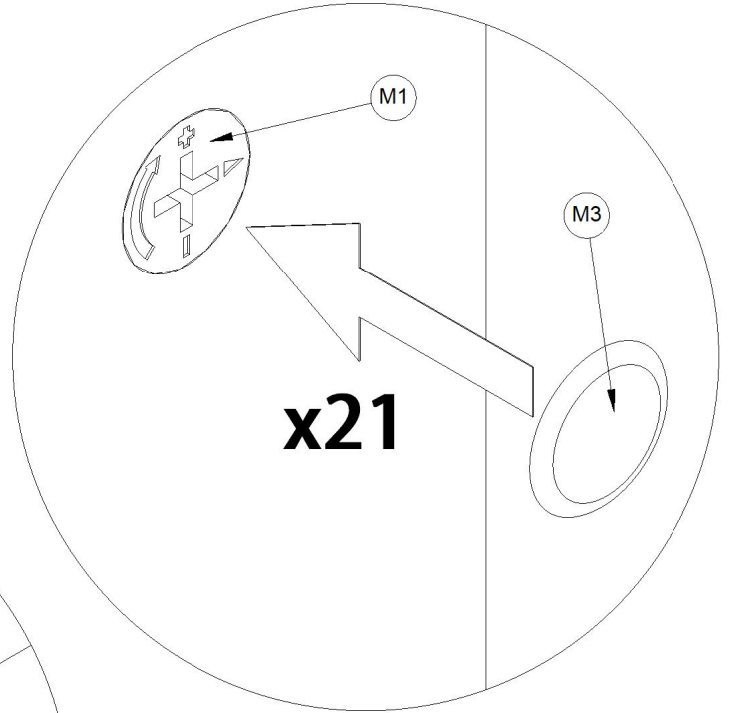
x2

M3

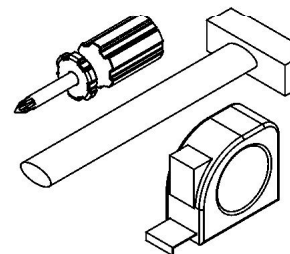
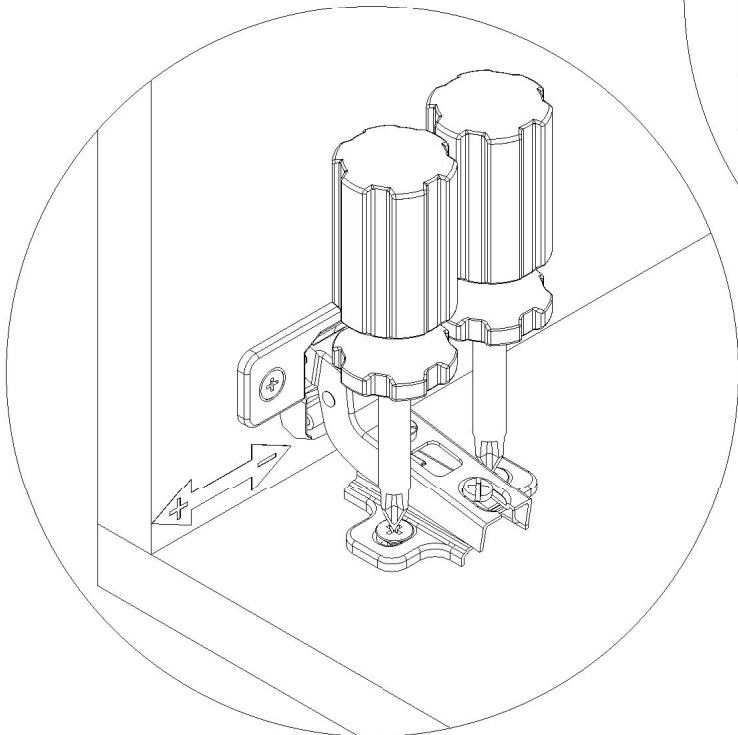
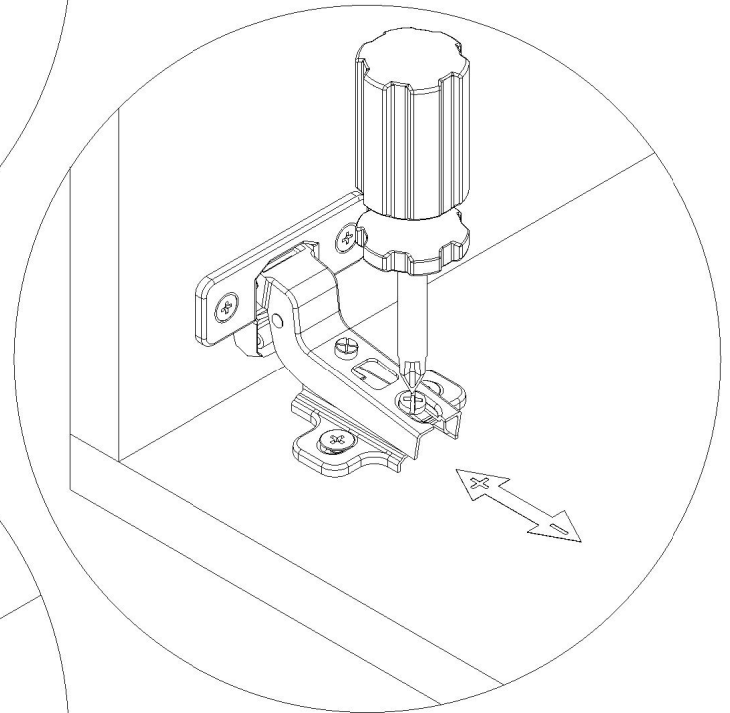
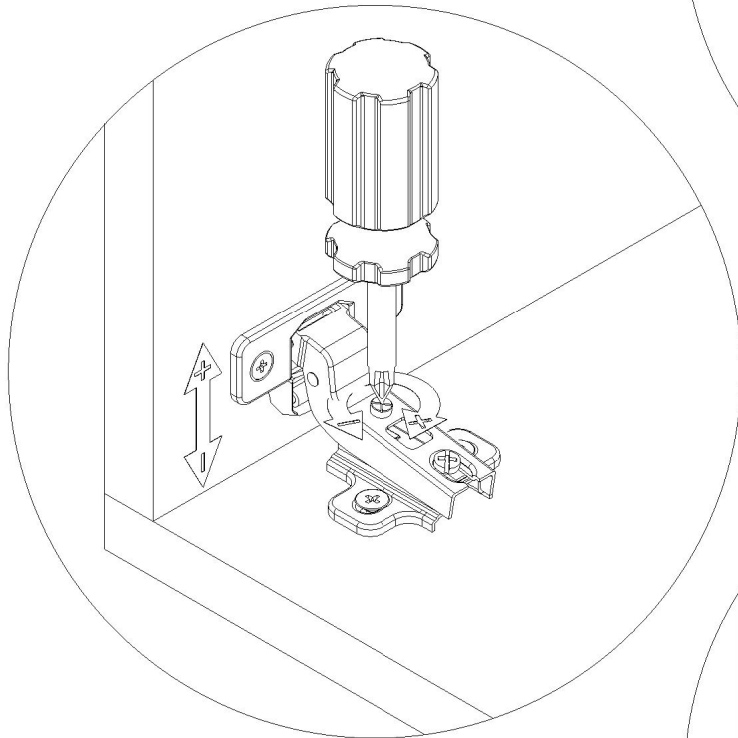


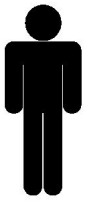
x21

# STEP 20

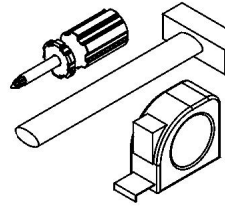
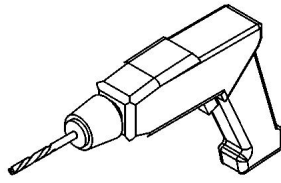


x21

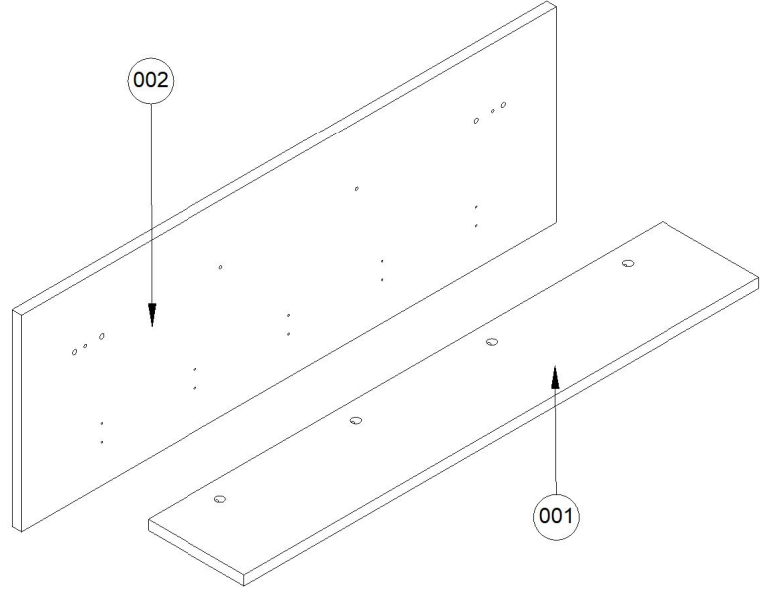
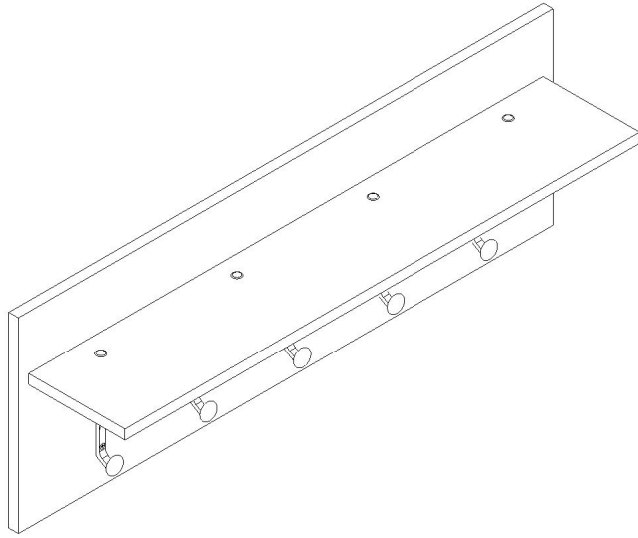
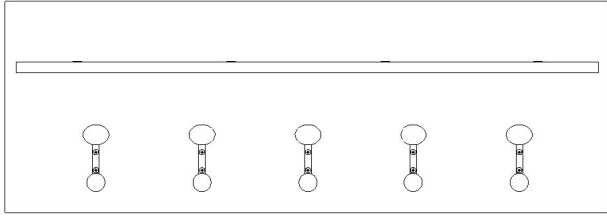




- 45 min.

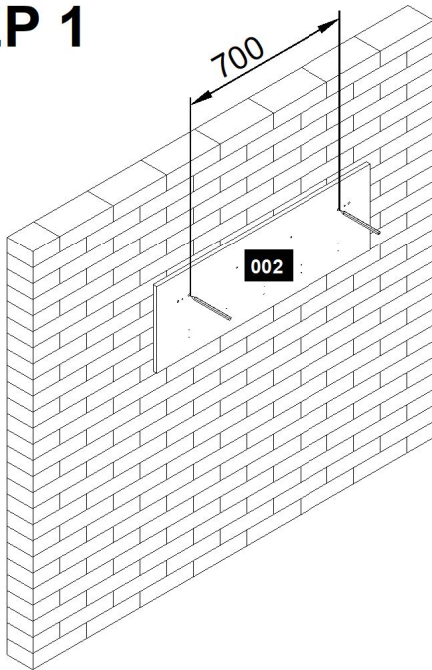


# WP100

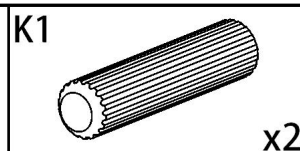
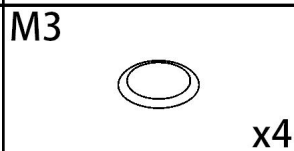
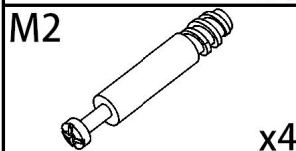
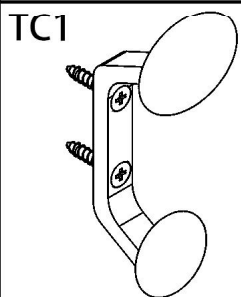
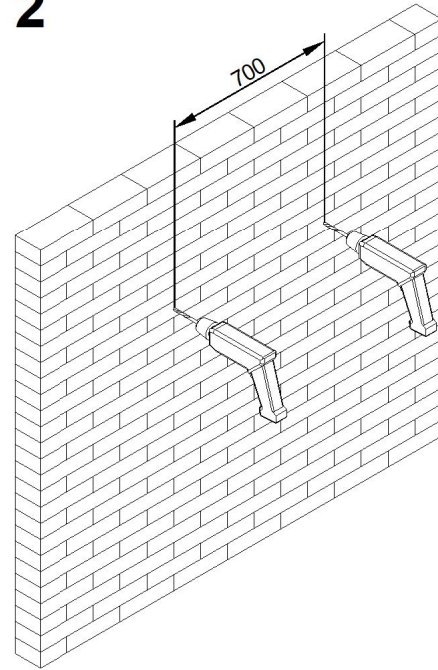


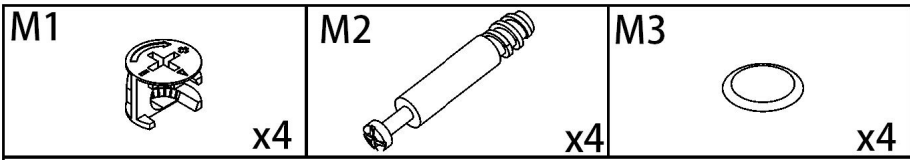
Number	Qty	Size A	Size B
001	1	180	962
002	1	350	1000

## STEP 1

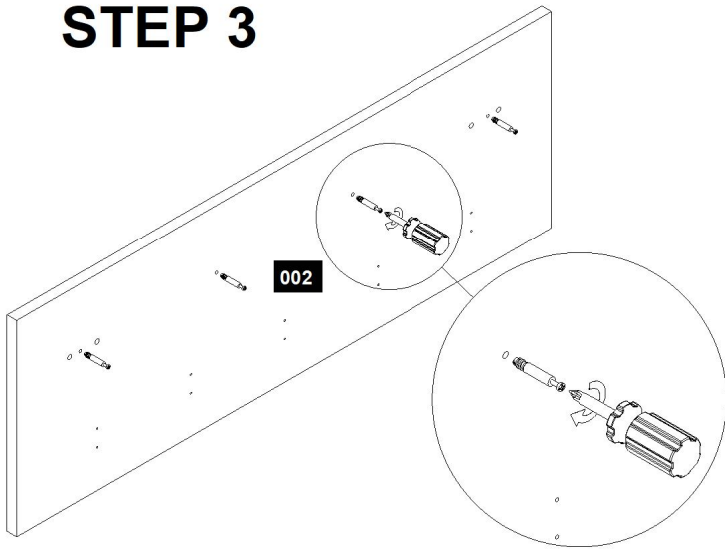


## STEP 2

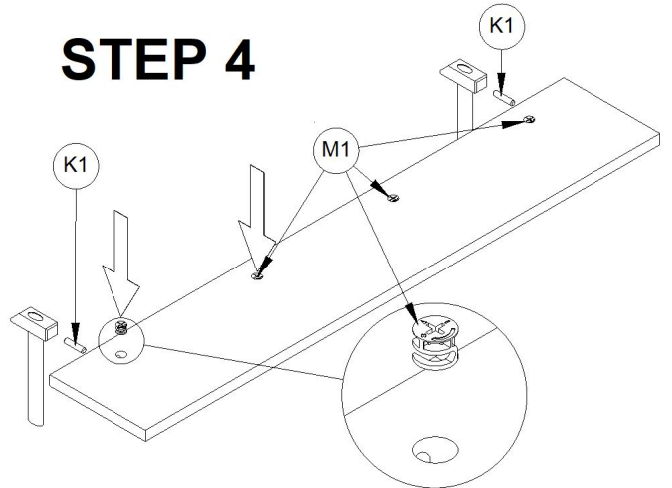




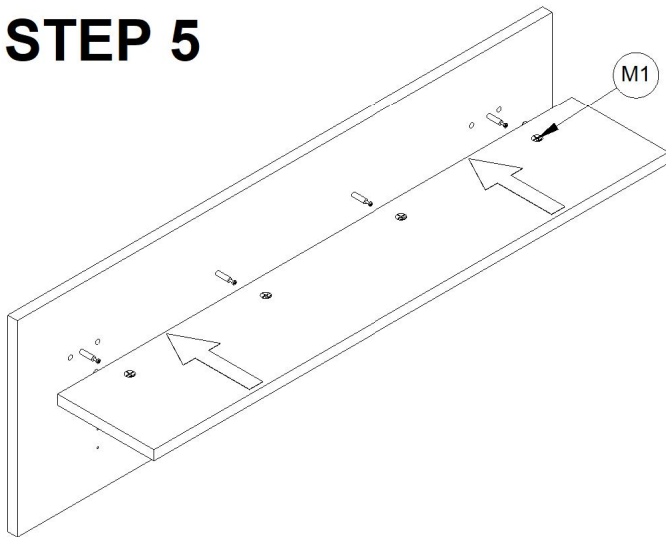
### STEP 3



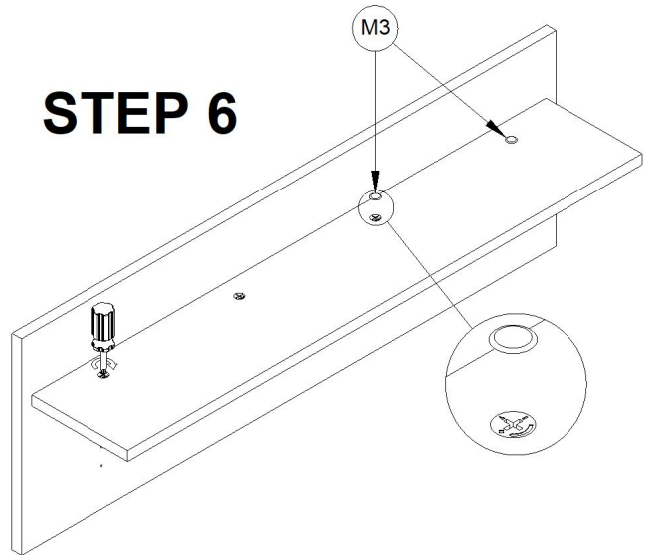
### STEP 4



### STEP 5



### STEP 6



### STEP 7

