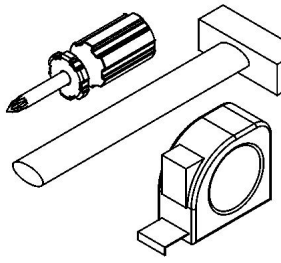
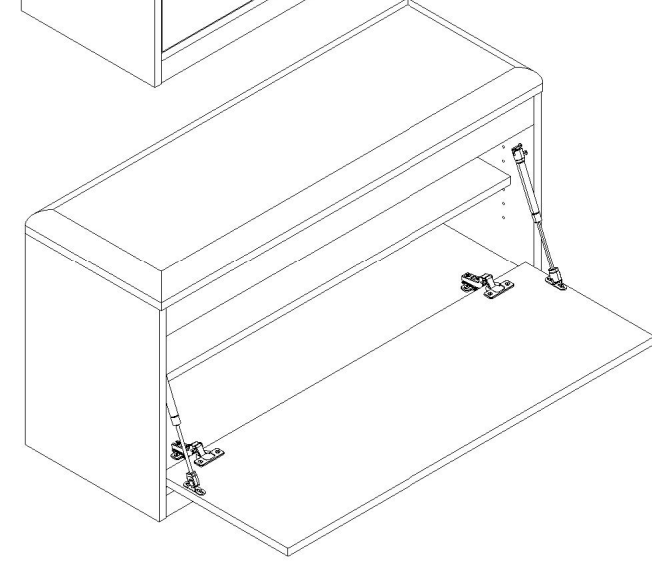
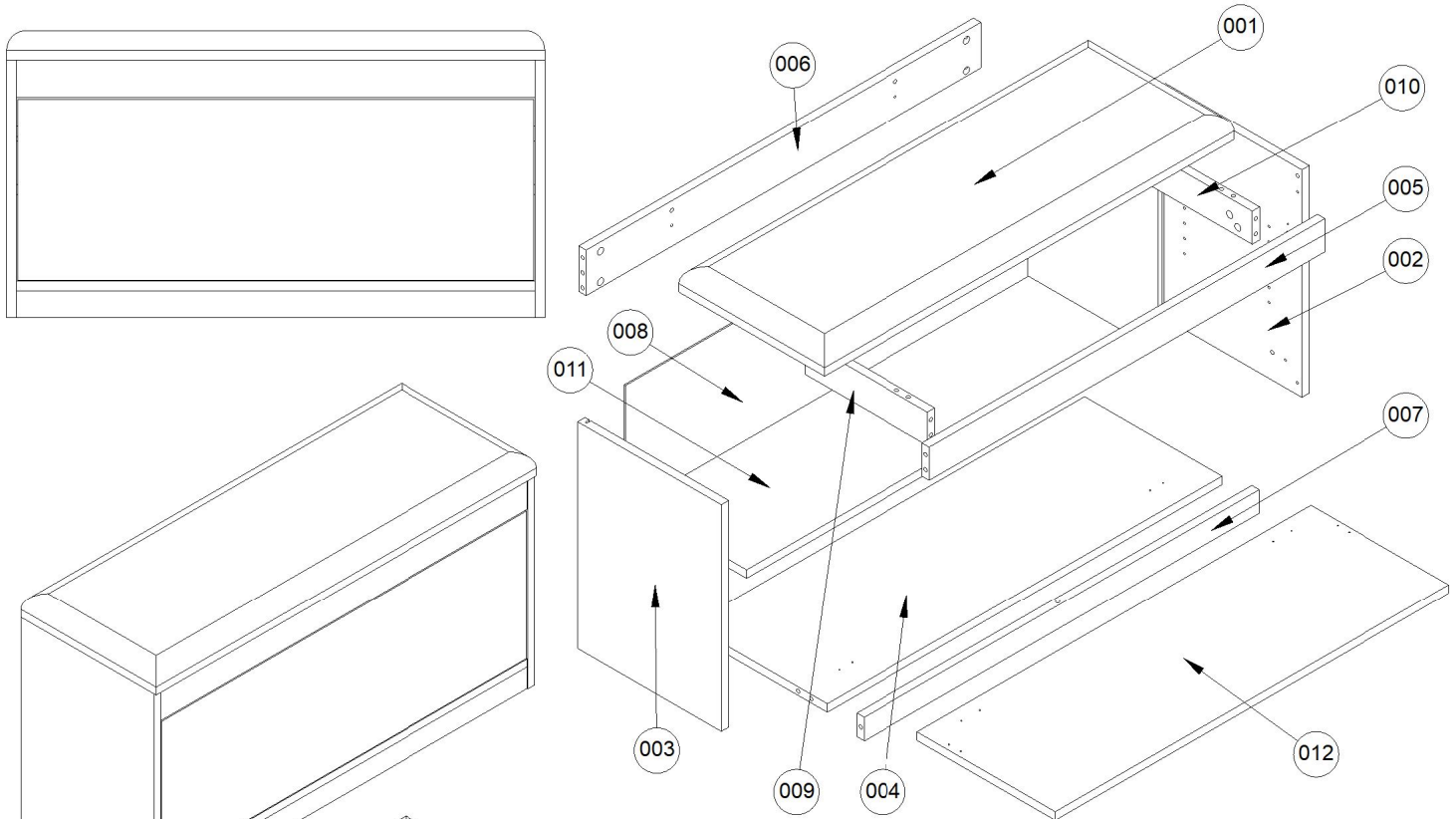


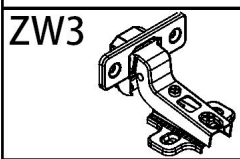
- 45 min.



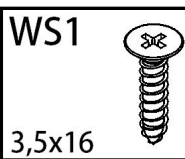
SZB100



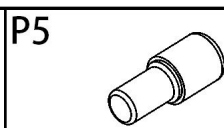
Number	Qty	Size A	Size B
001	1	1000	355
002	1	480	350
003	1	480	350
004	1	964	335
005	1	70	964
006	1	96	964
007	1	50	964
008	1	352	982
009	1	70	299
010	1	70	299
011	1	964	275
012	1	337	960



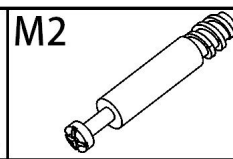
x2



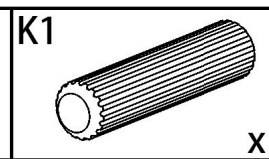
x40



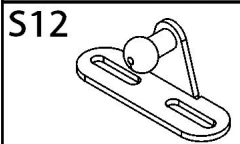
x4



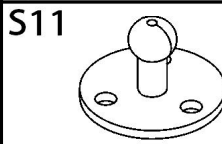
x21



x16



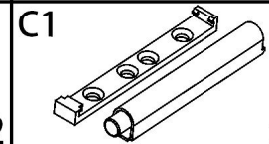
x2



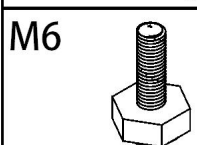
x2



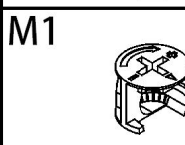
x2



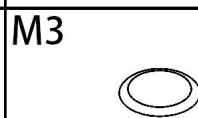
x1




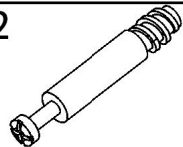


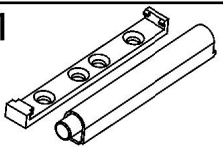
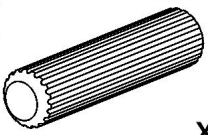
x4

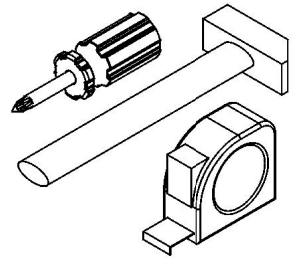


x21

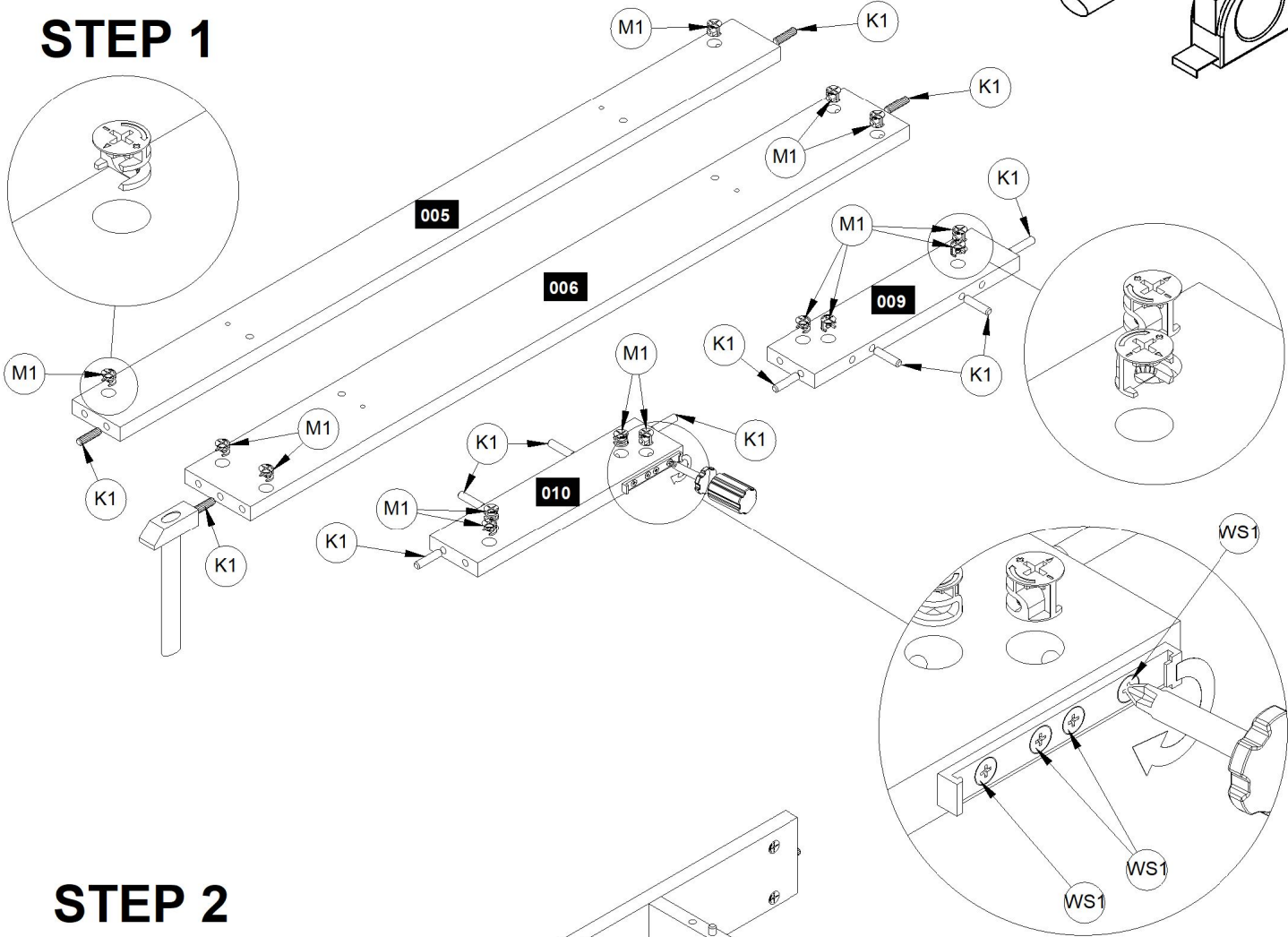


x21

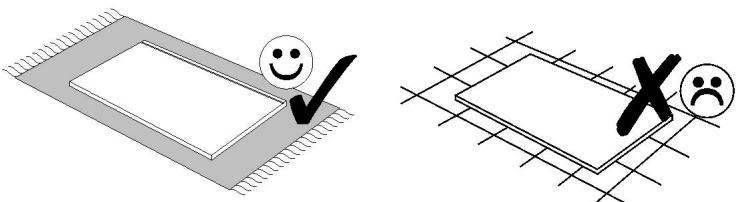
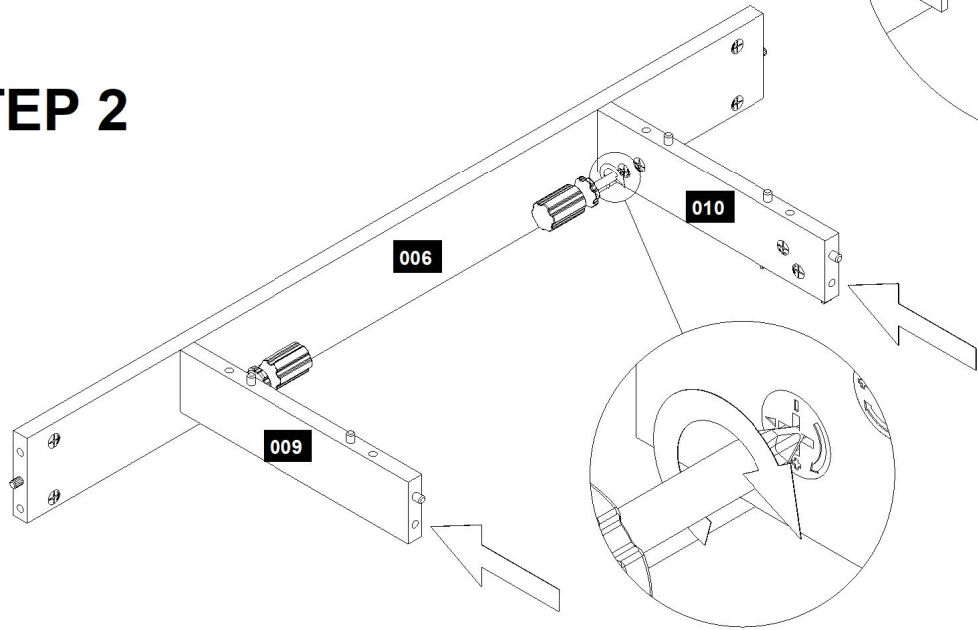
M1  x21	M2  x21	M3  x21	WS1 3,5x16  x40	C1  x1
K1  x16				

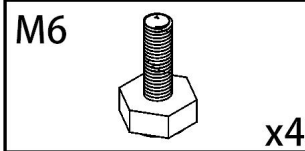
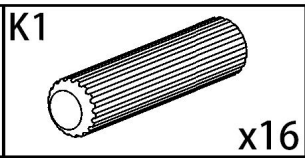
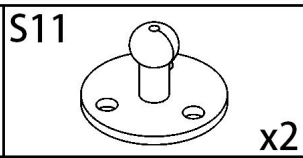
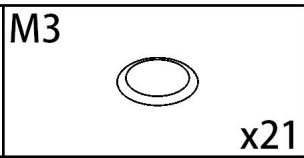
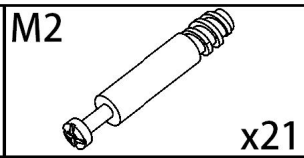
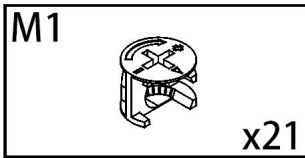


STEP 1

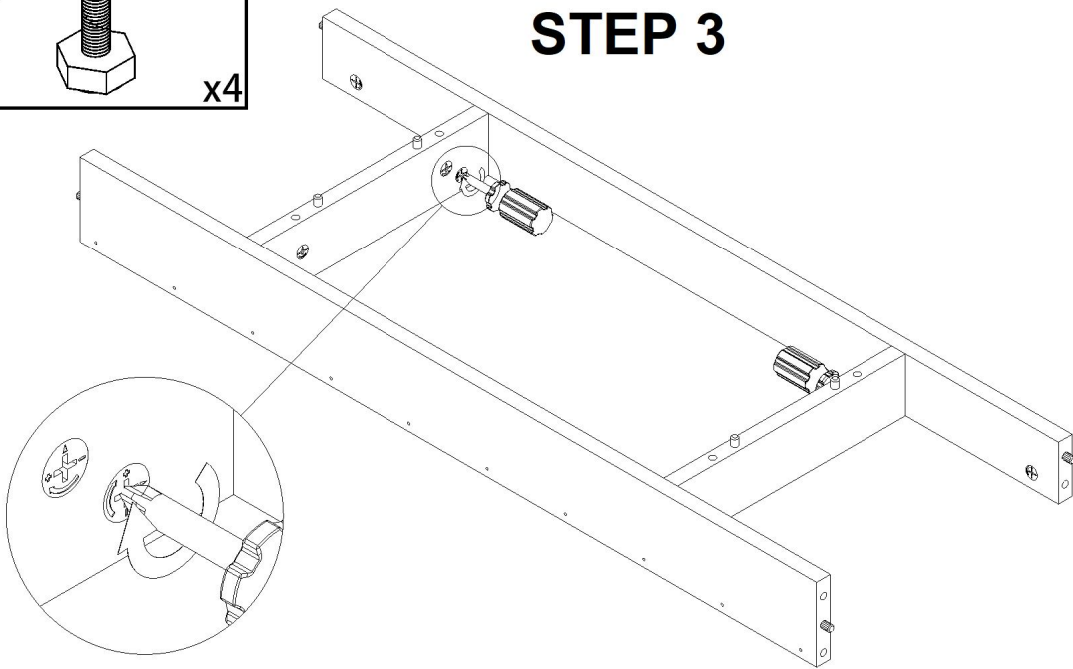
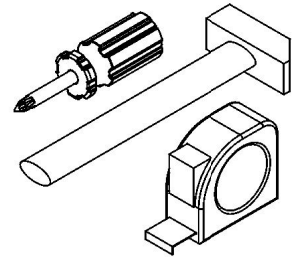


STEP 2

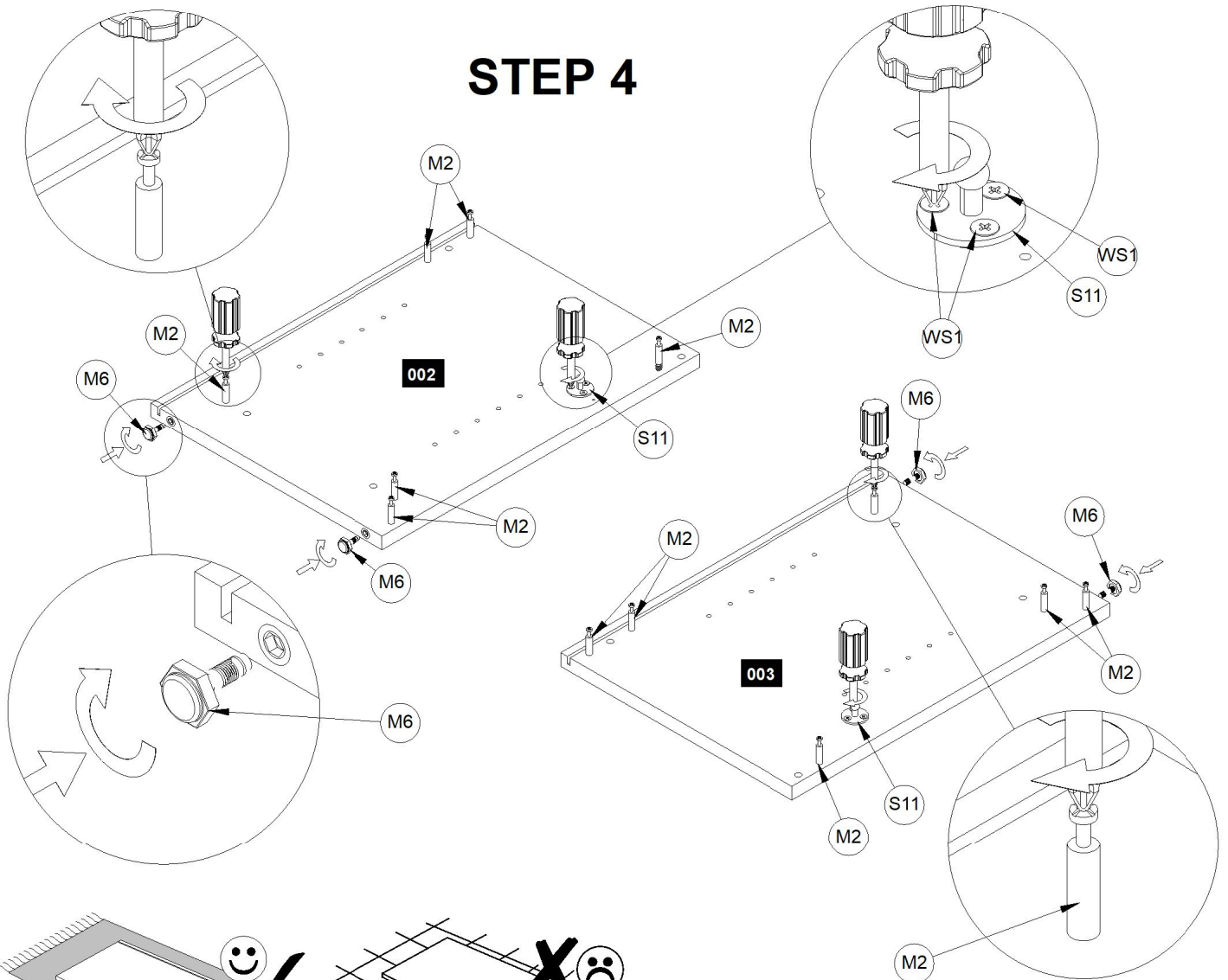


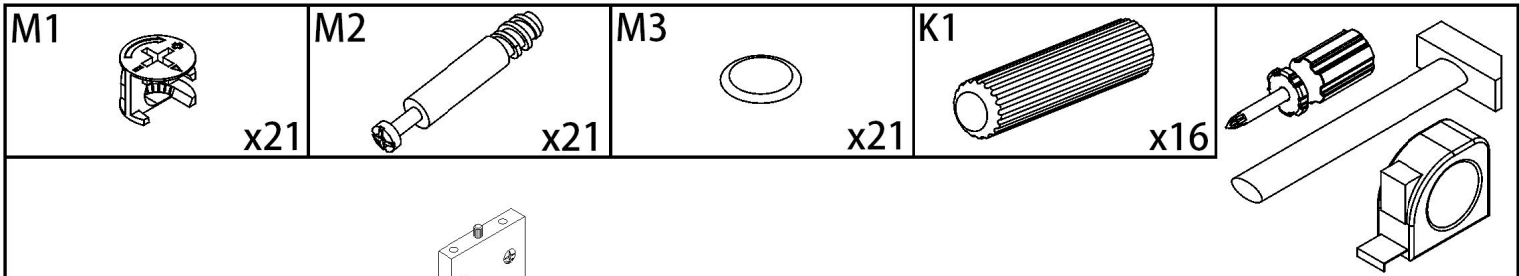


STEP 3

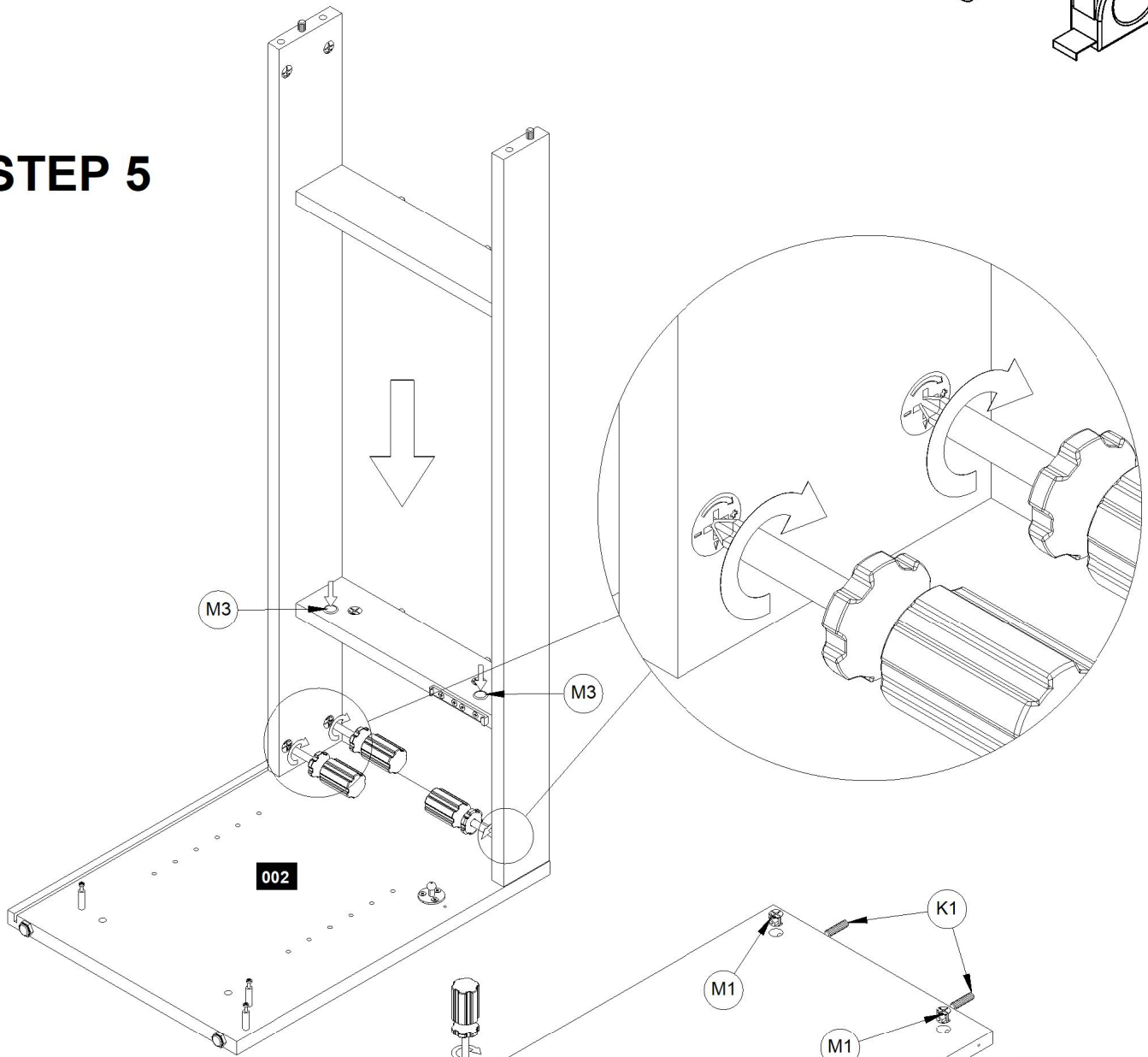


STEP 4

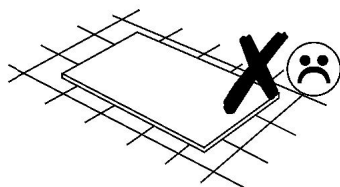
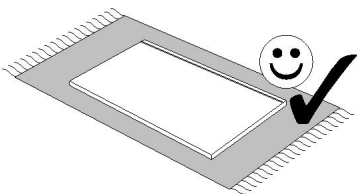
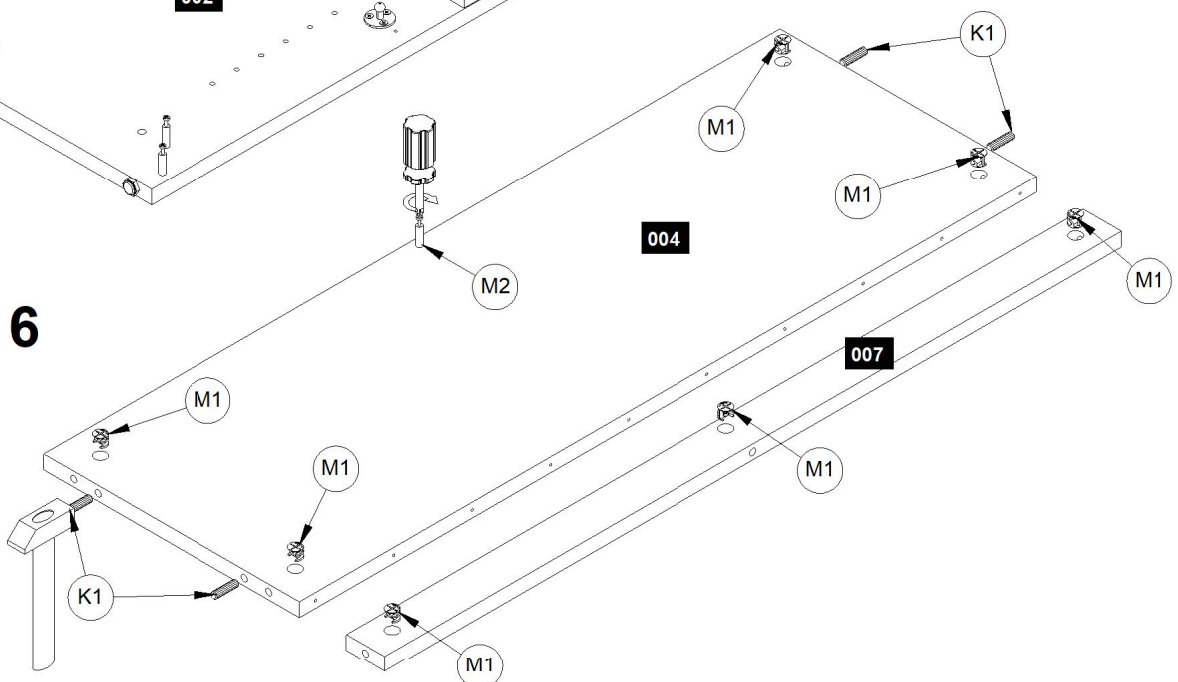




STEP 5



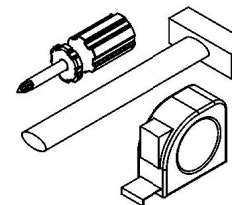
STEP 6



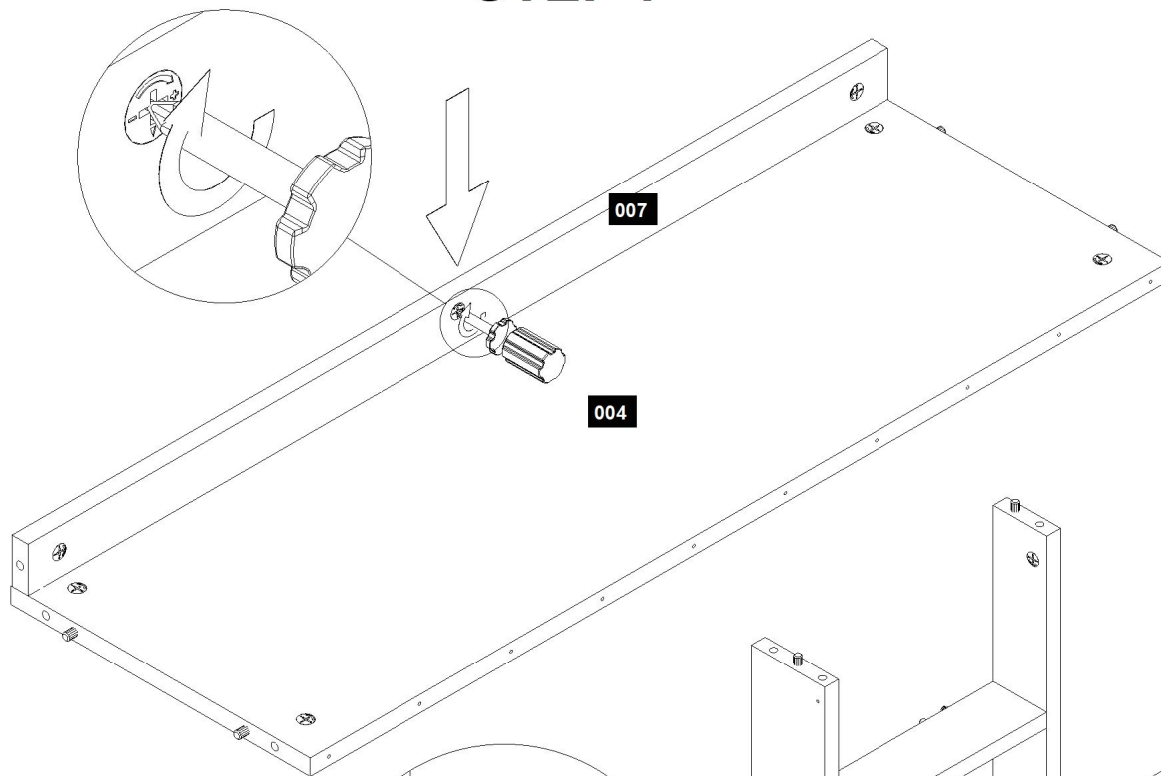
M3



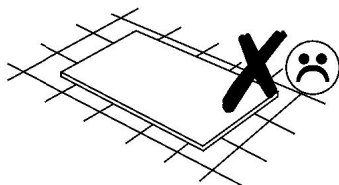
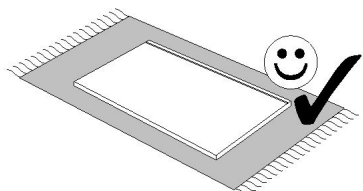
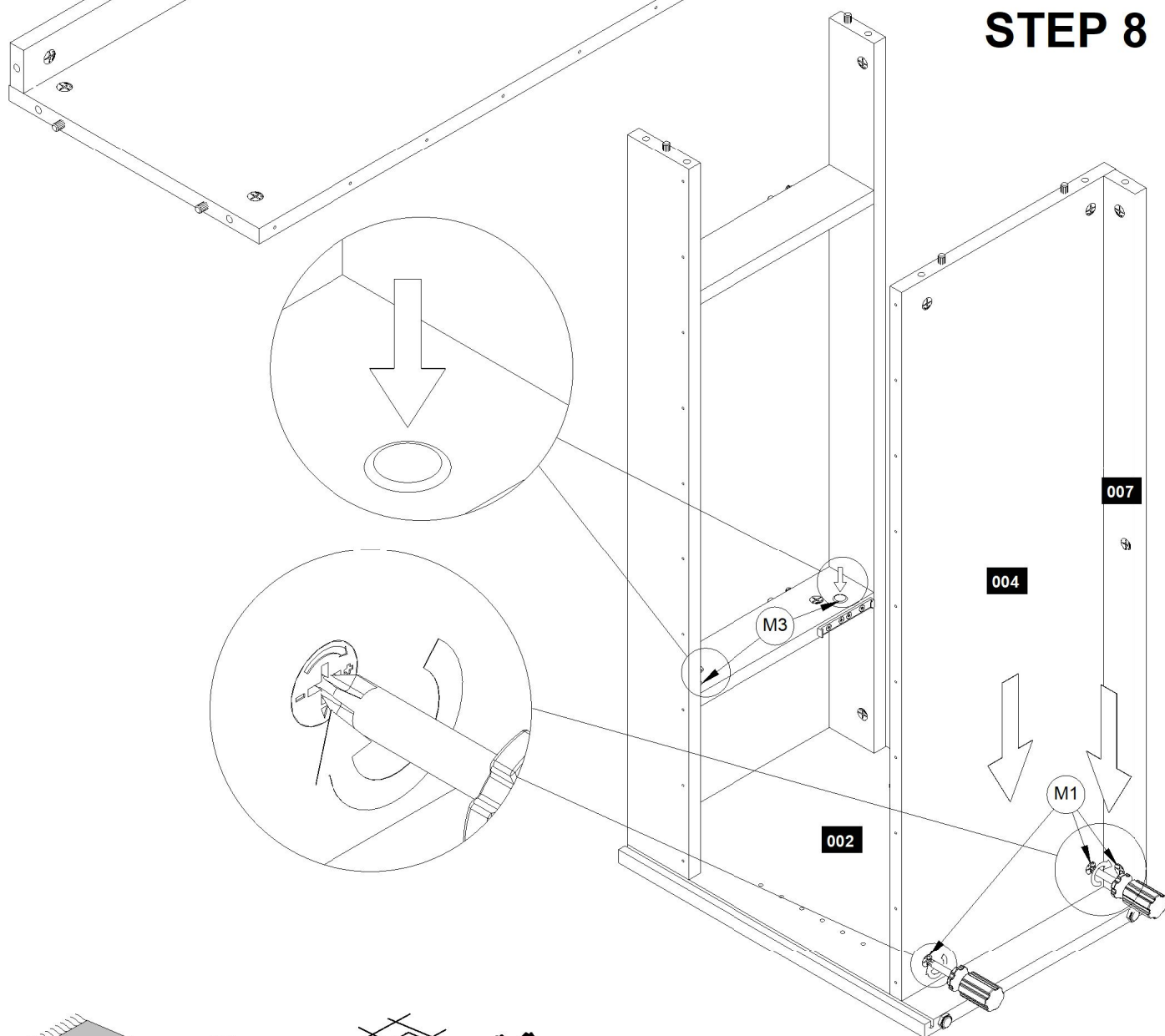
x21



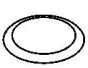


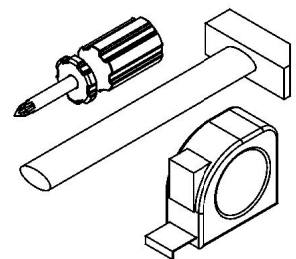
STEP 7



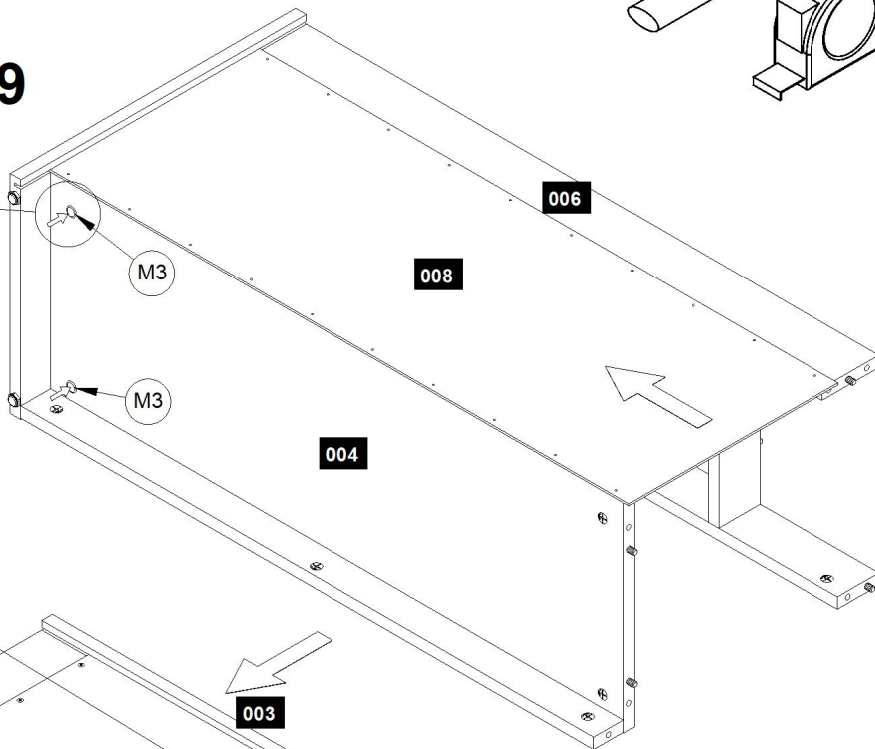
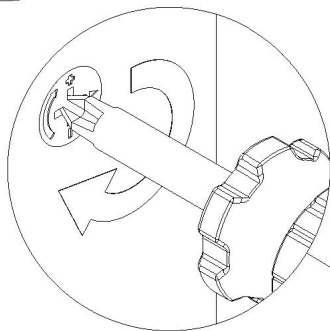
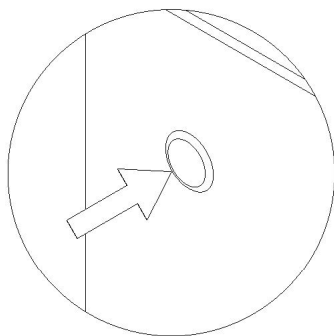
STEP 8



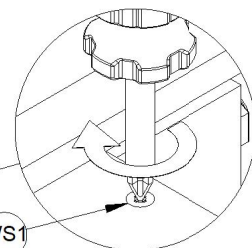
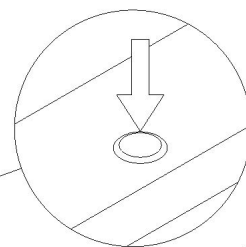
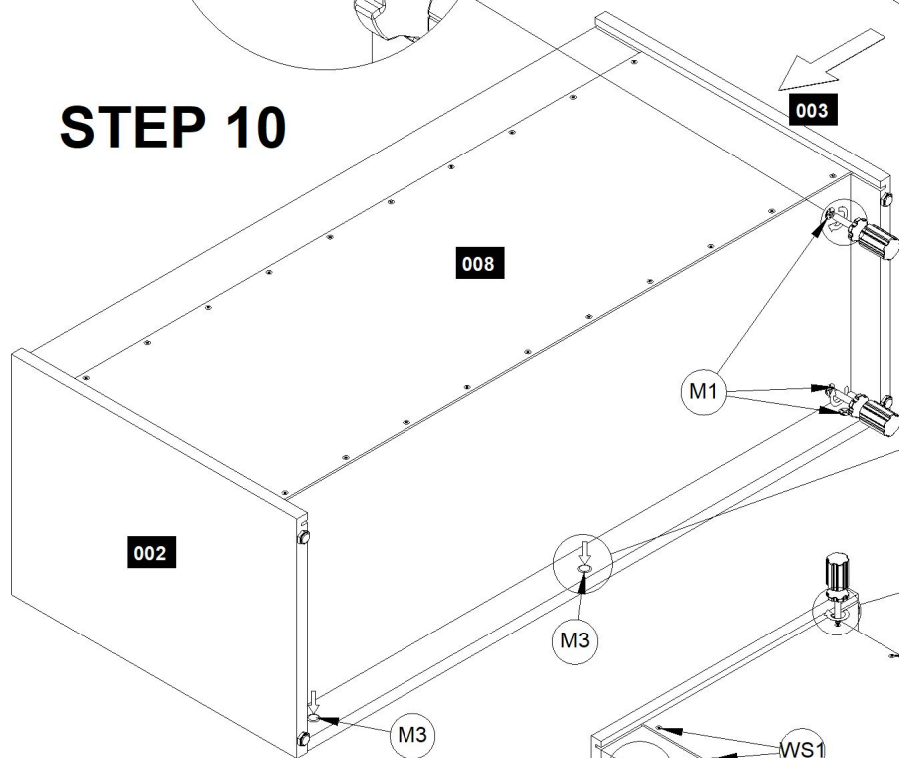
M1  x21	WS1  3,5x16 x40	M3  x21
---	---	---



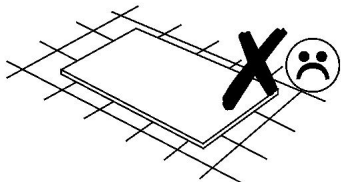
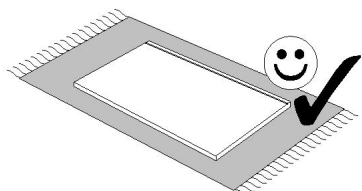
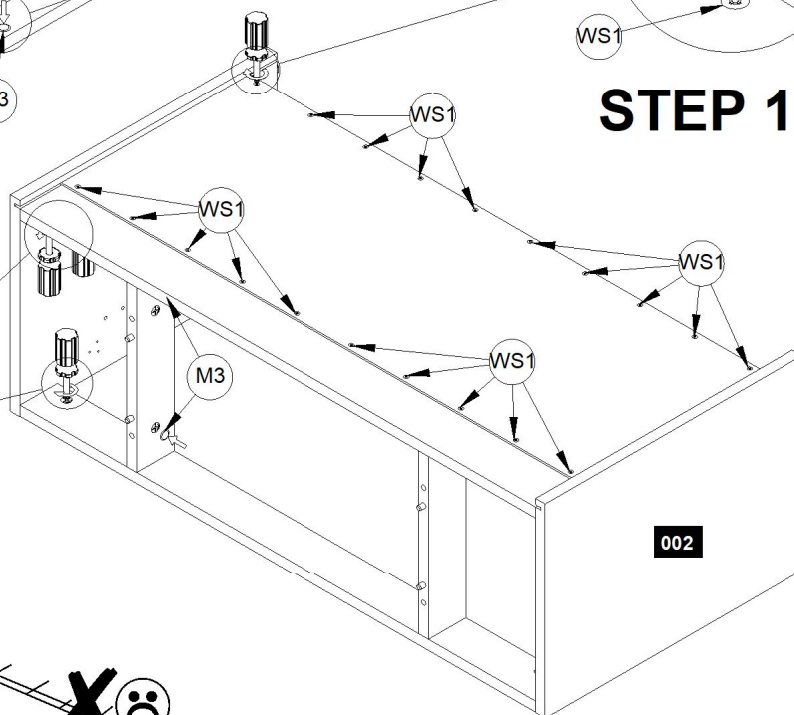
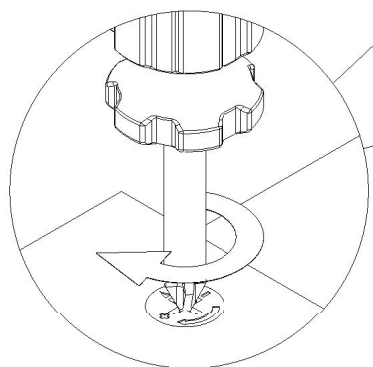
STEP 9

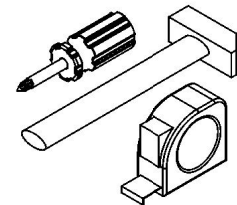
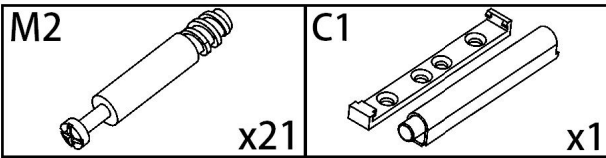


STEP 10

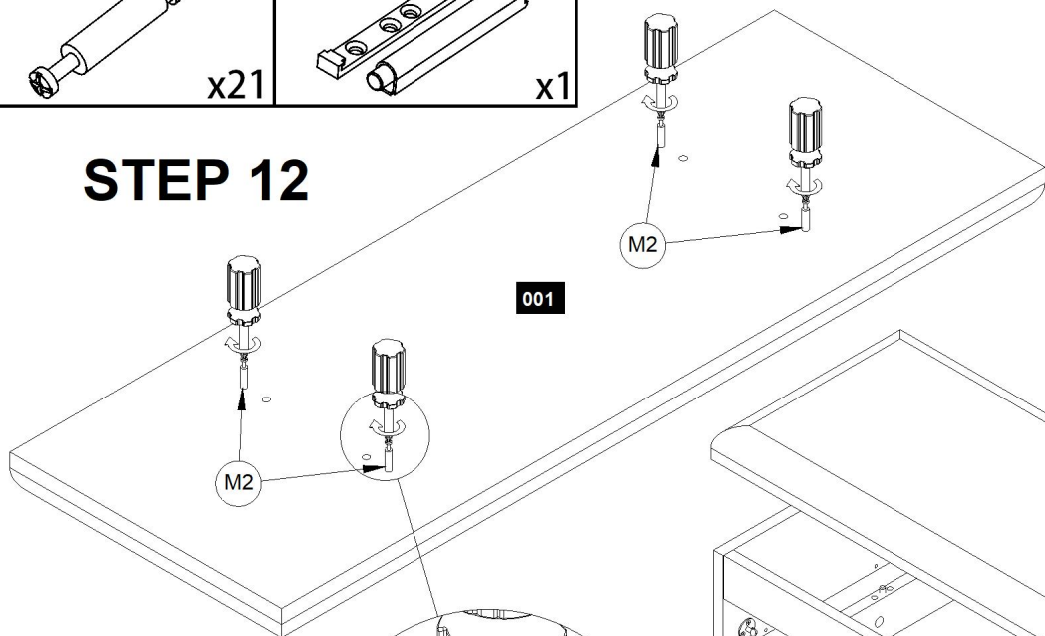


STEP 11

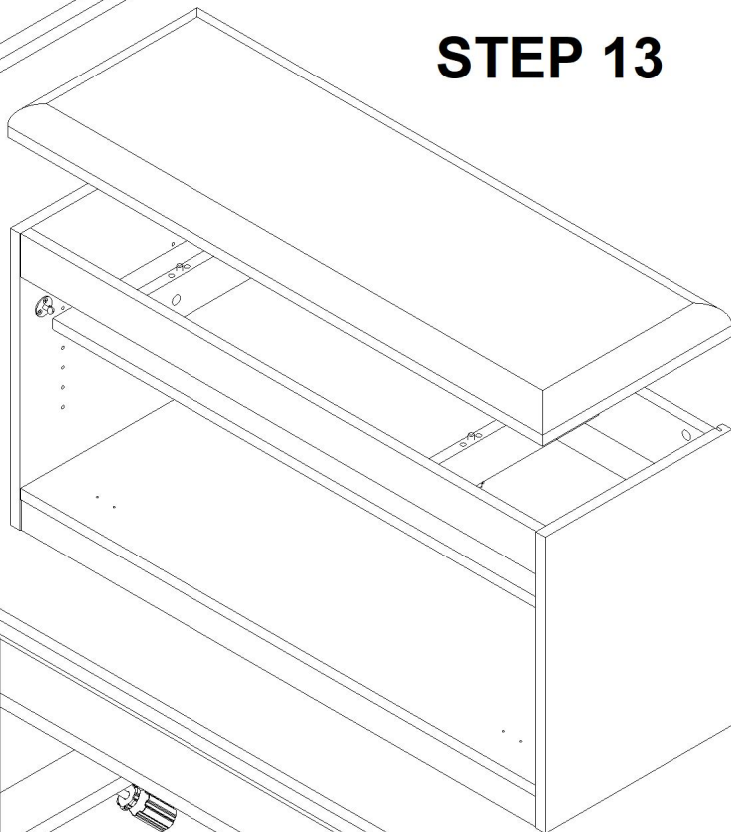




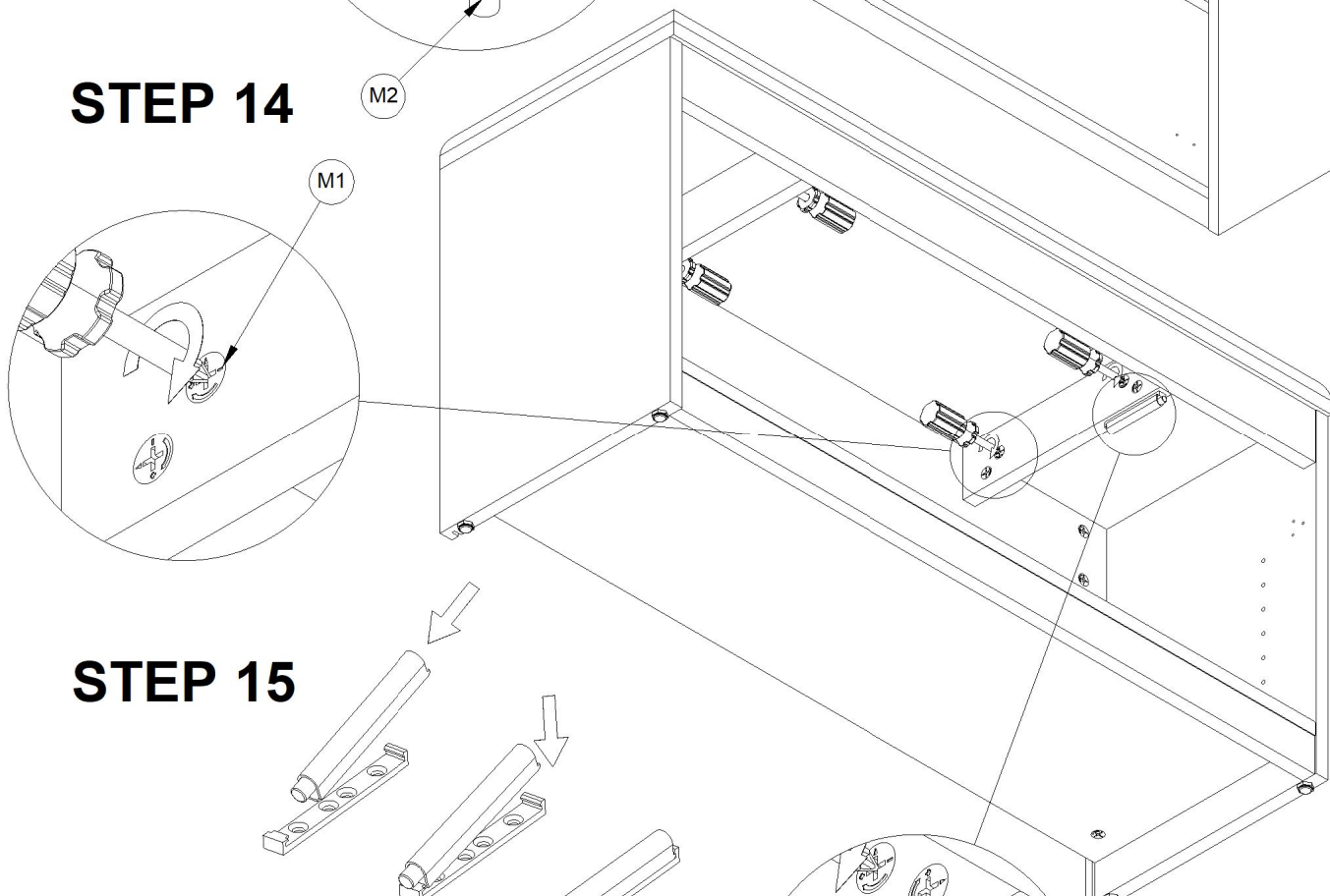
STEP 12



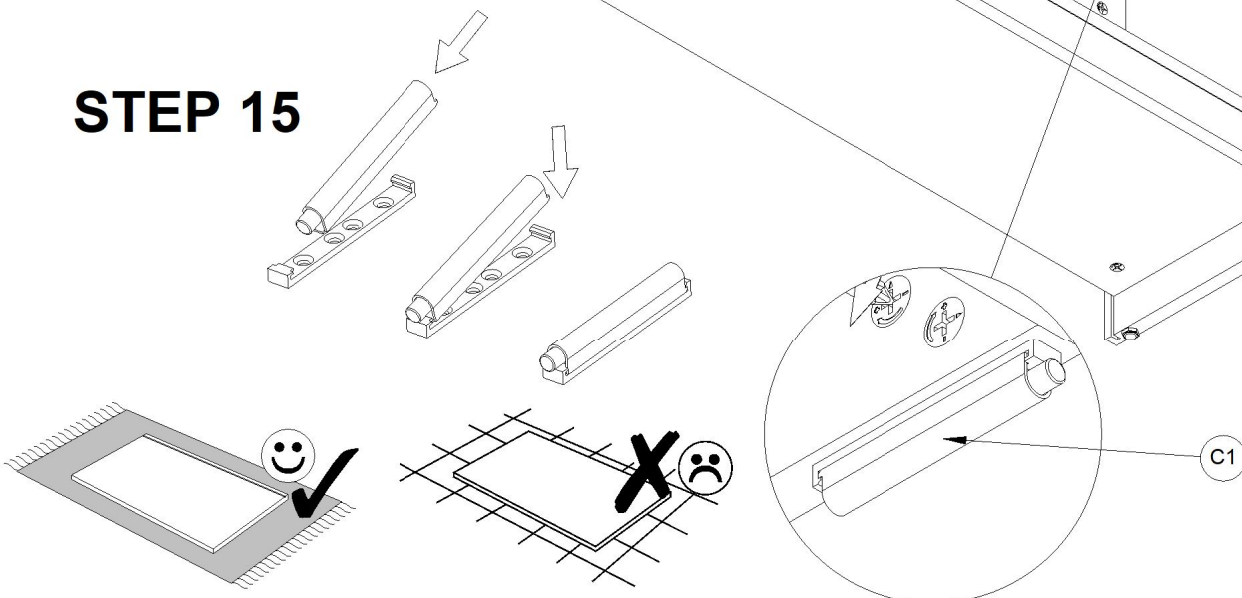
STEP 13



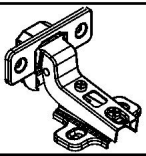
STEP 14



STEP 15

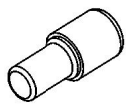


ZW3



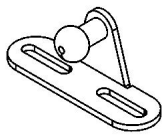
x2

P5



x4

S12



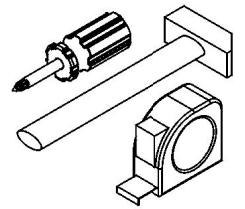
x2

WS1

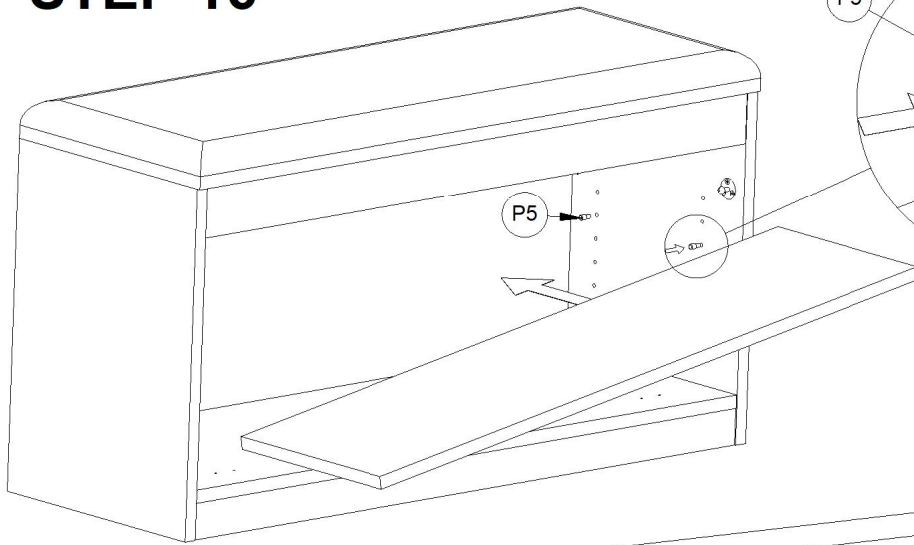


3,5x16

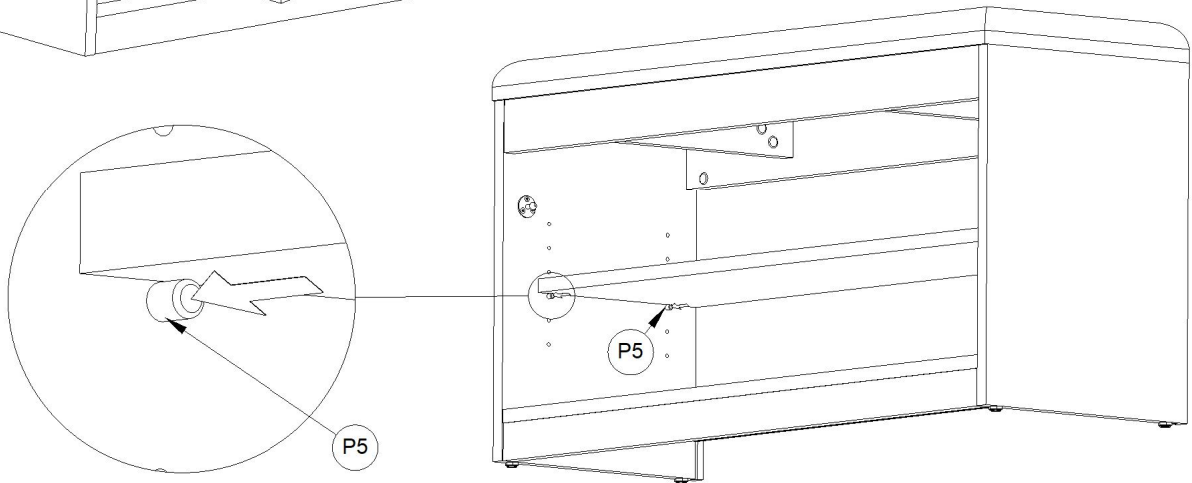
x40



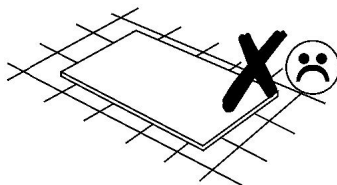
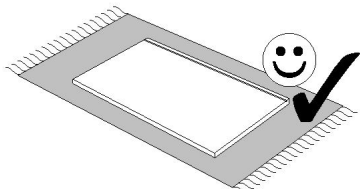
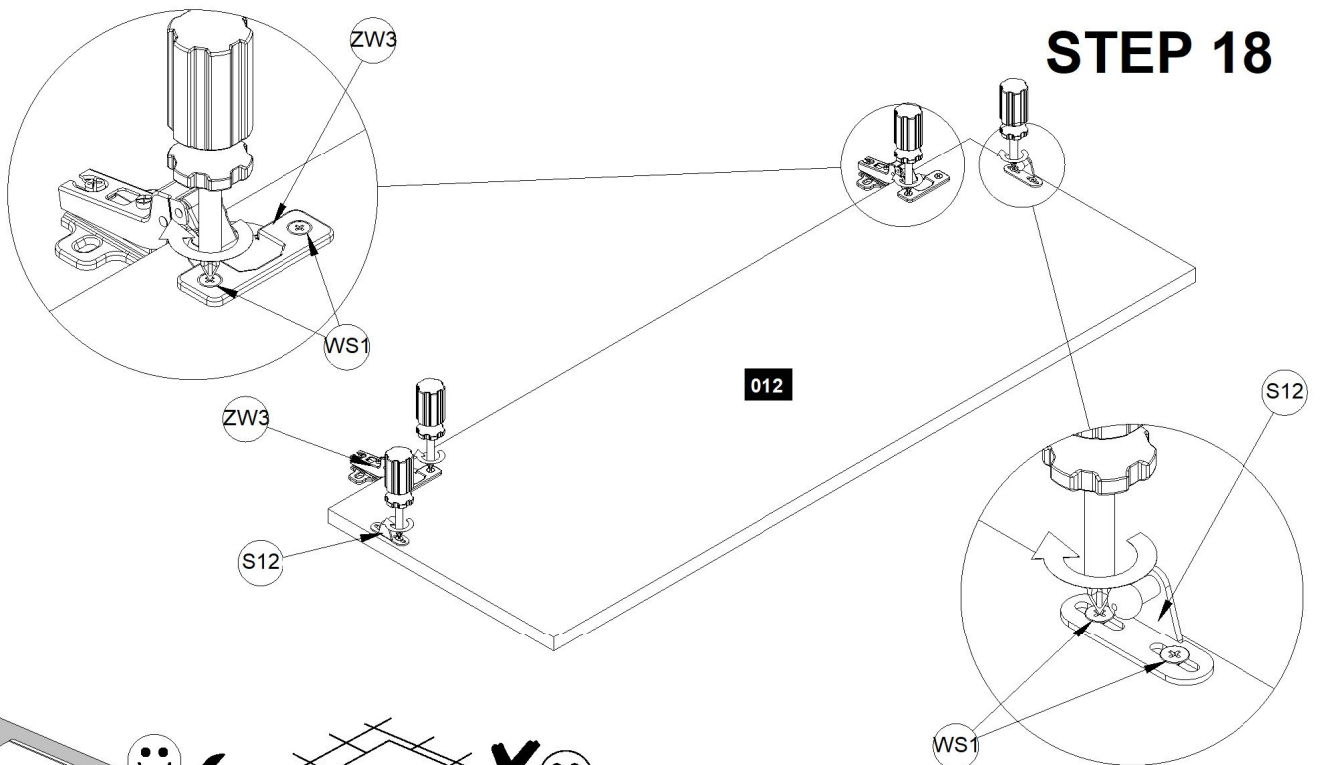
STEP 16



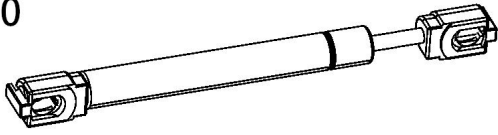
STEP 17



STEP 18

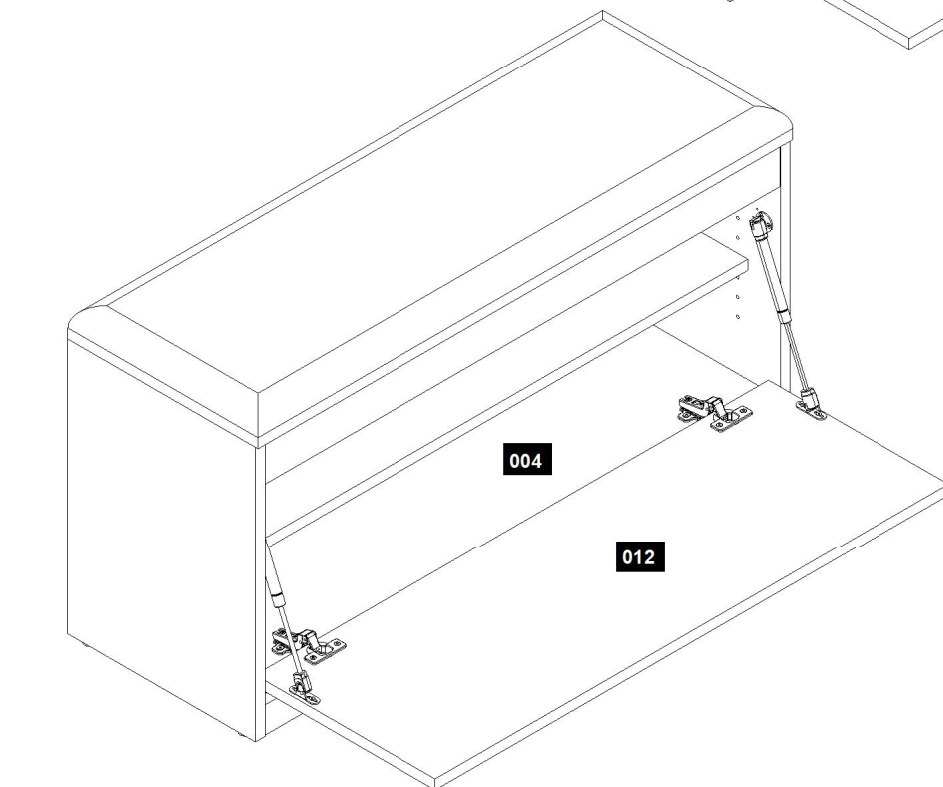
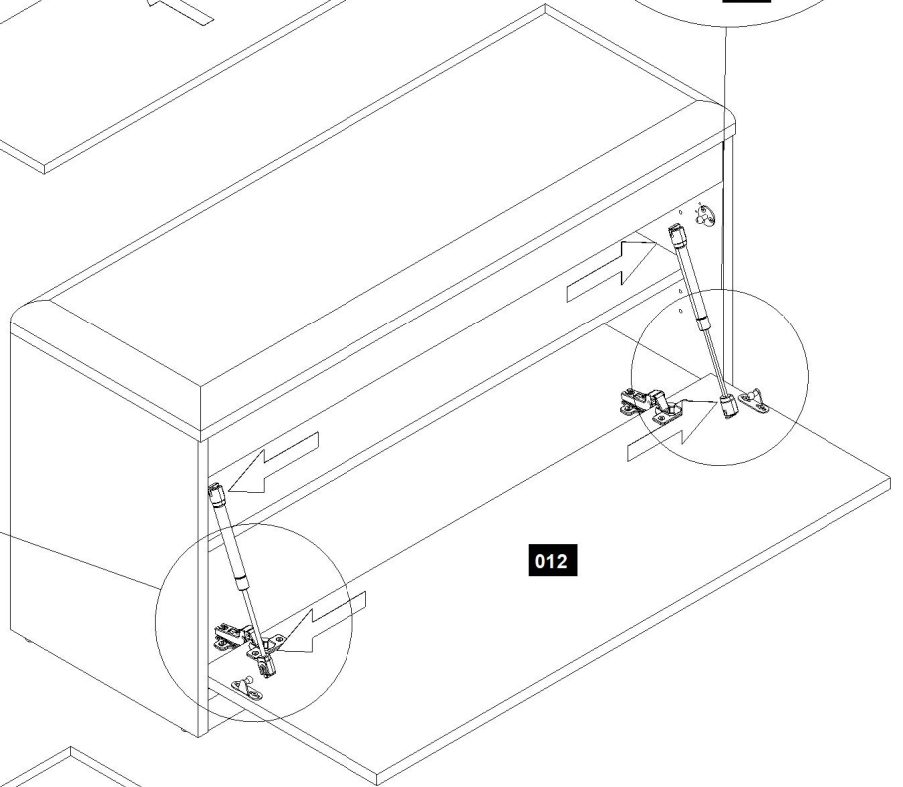
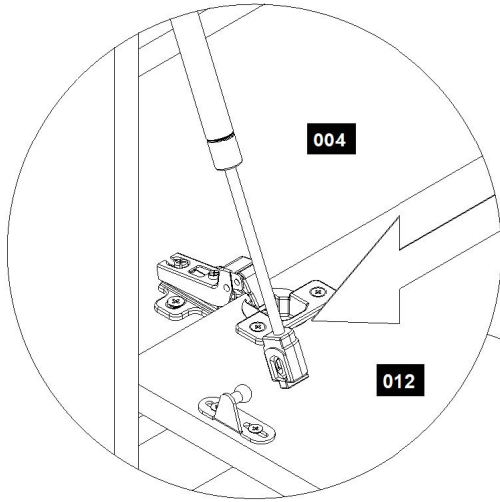
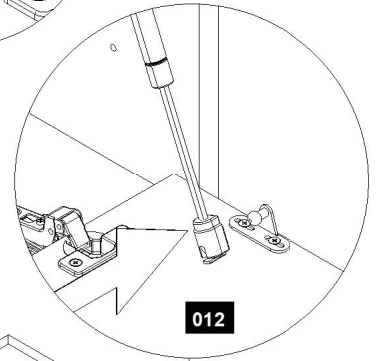
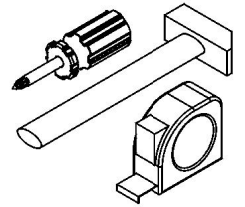
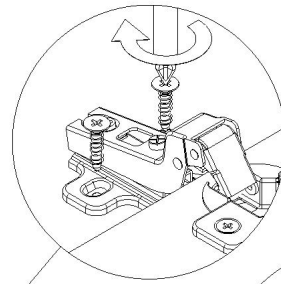
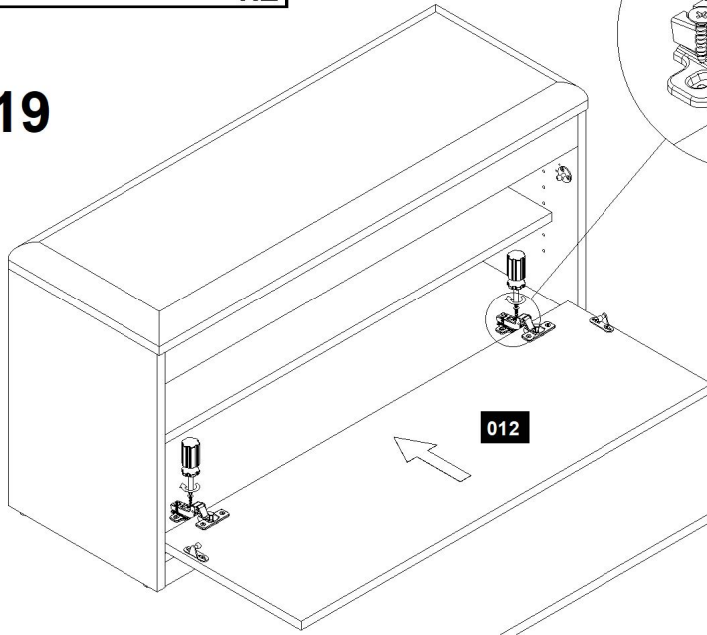


S10

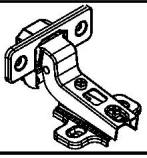


x2

STEP 19



ZW3



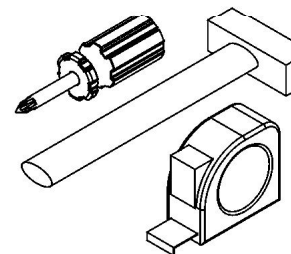
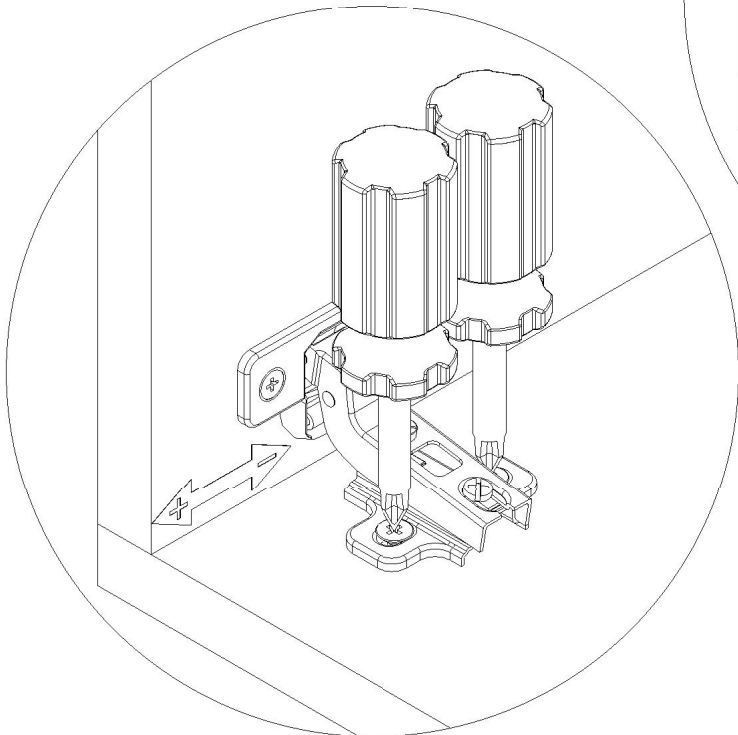
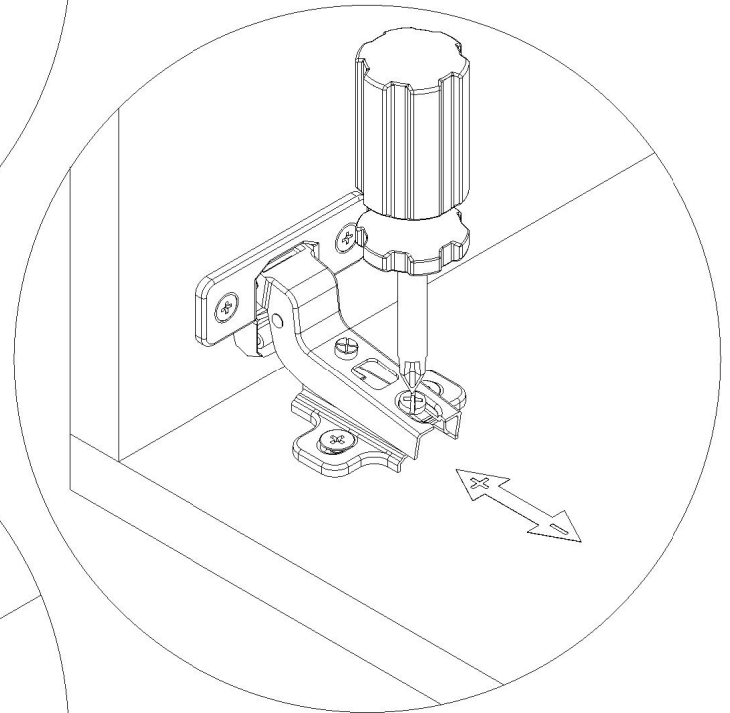
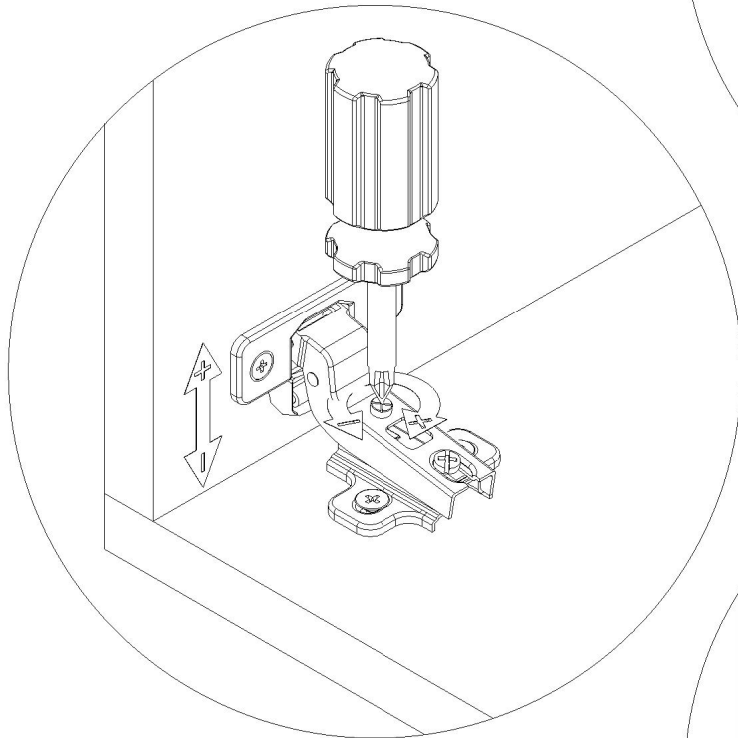
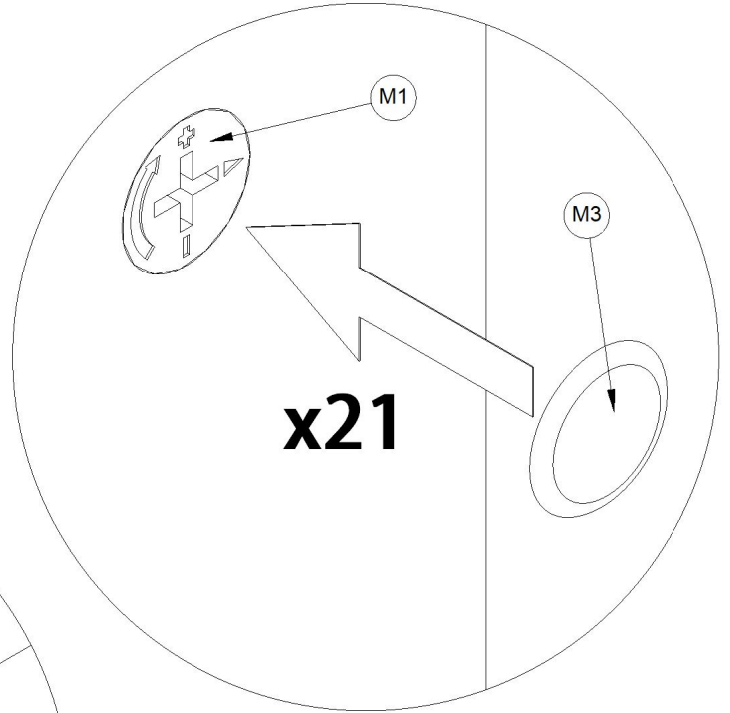
x2

M3



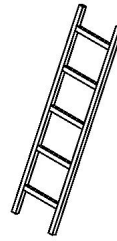
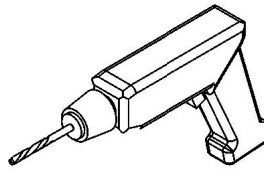
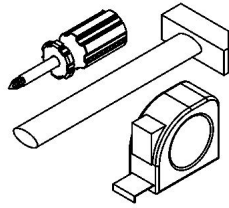
x21

STEP 20

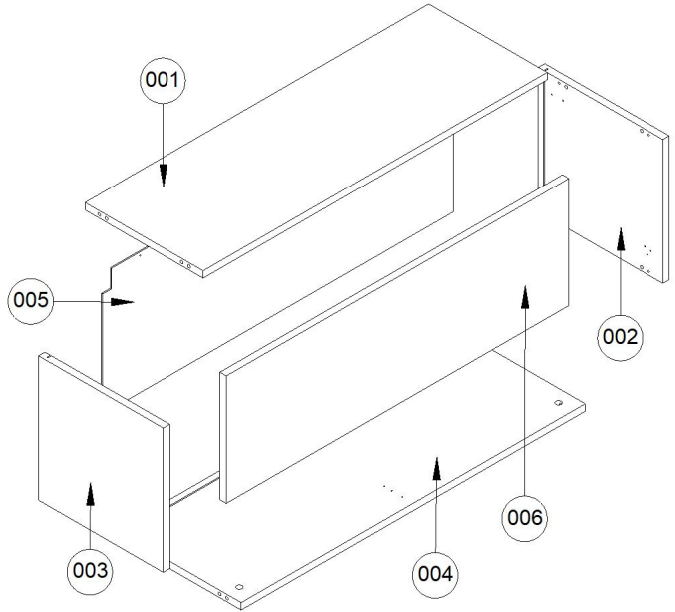
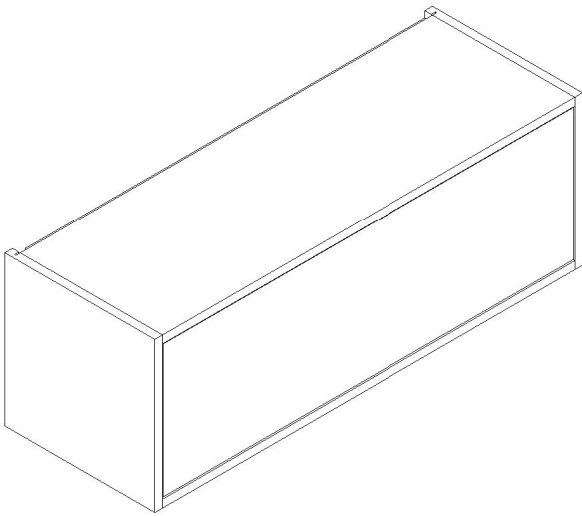
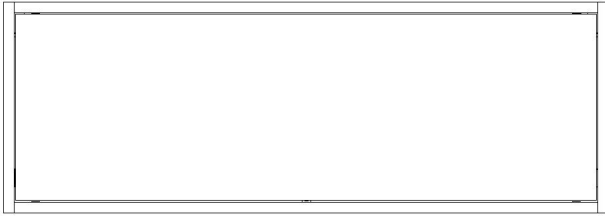




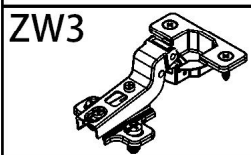
- 45 min.



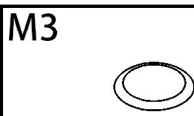
SZP100



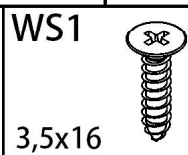
Number	Qty	Size A	Size B
001	1	964	332
002	1	350	350
003	1	350	350
004	1	964	350
005	1	342	984
006	1	309	960



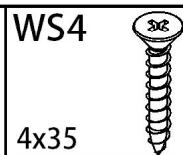
x2



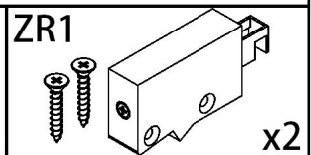
x8



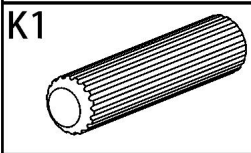
x26



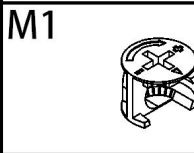
x4



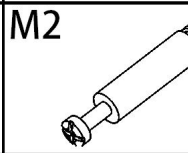
x2



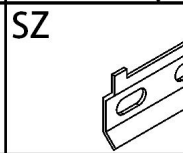
x8



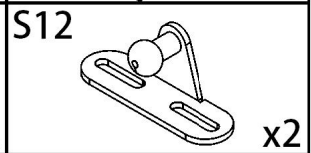
x8



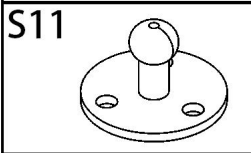
x8



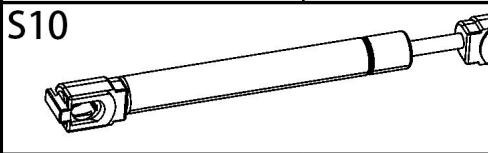
x2



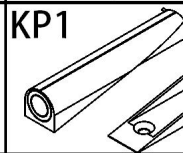
x2



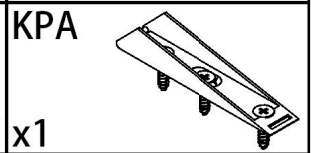
x2



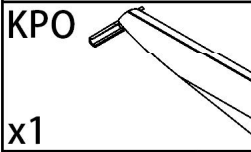
x2



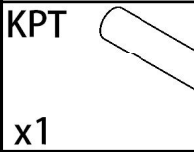
x1



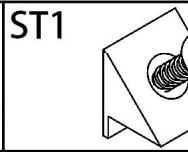
x1



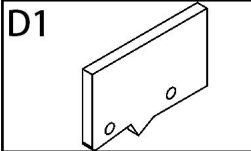
x1



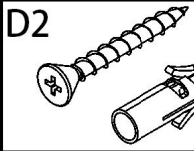
x1



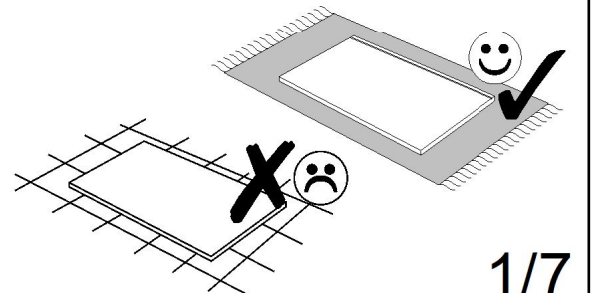
x7



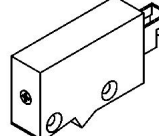
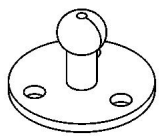
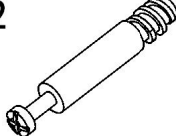


x2

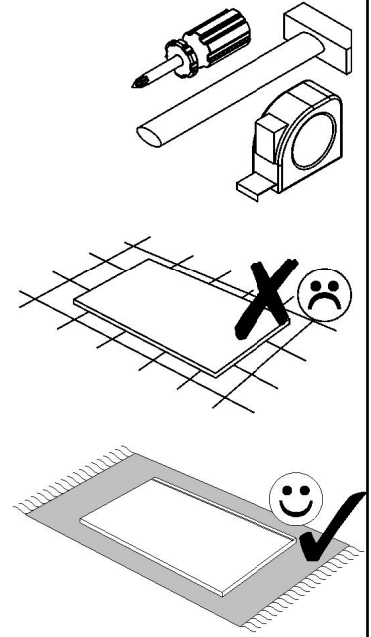
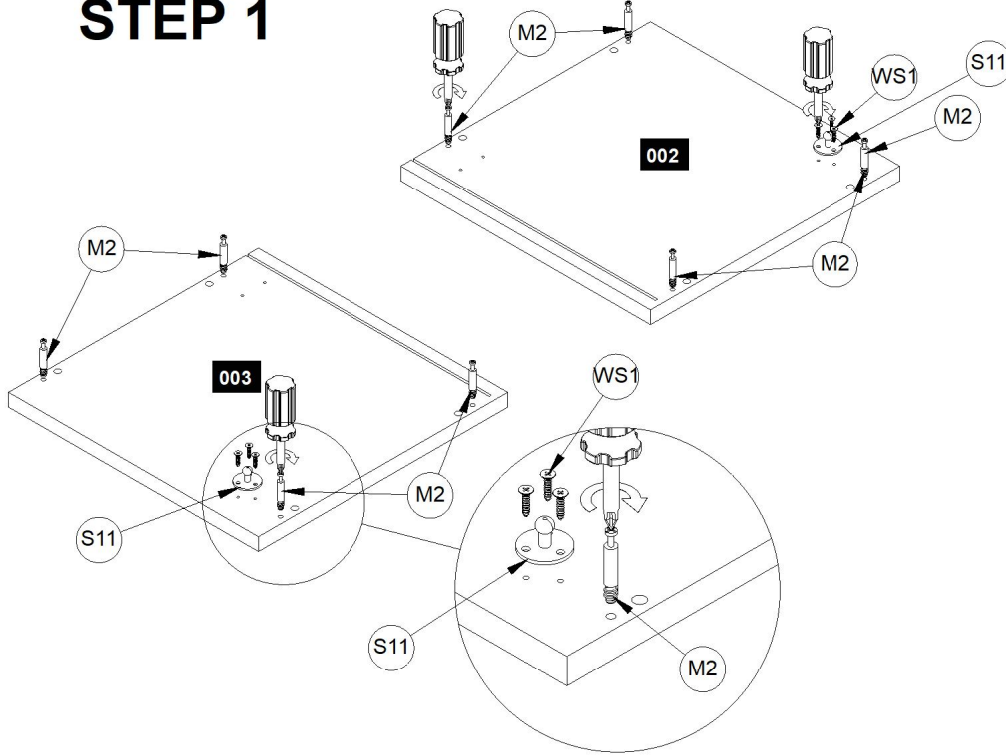


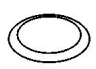
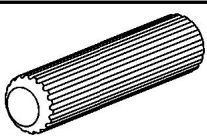

x4



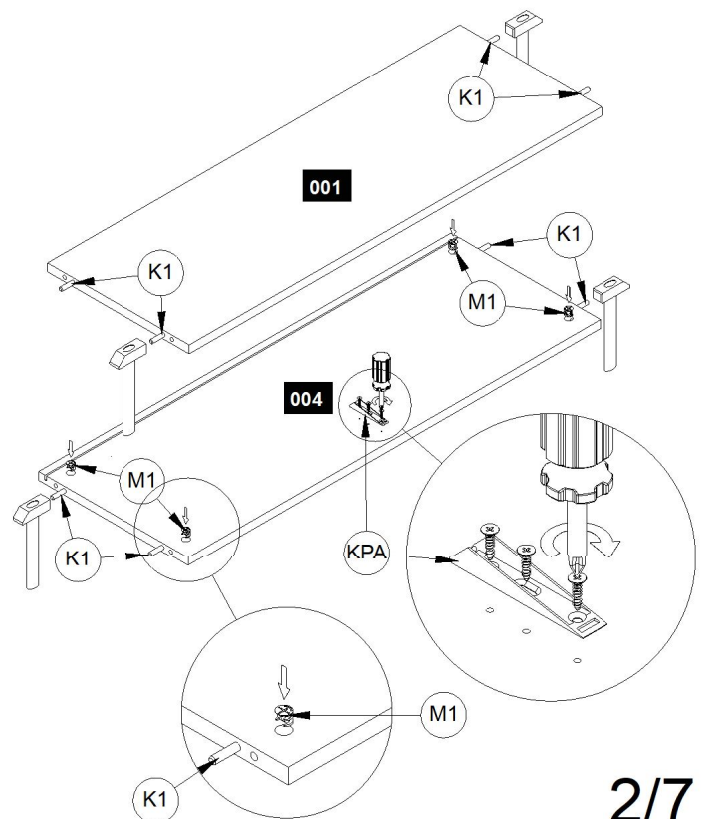
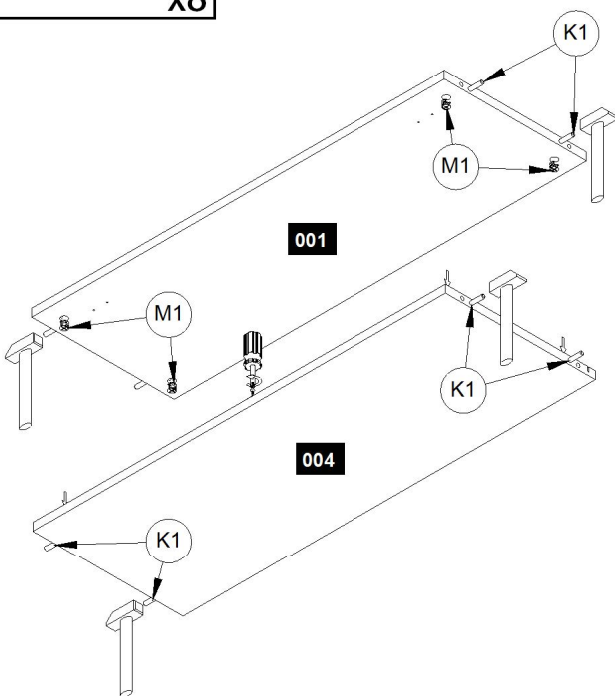
WS1  3,5x16 x26	WS4  4x35 x4	ZR1  x2	S11  x2	M2  x8
--	---	--	--	---

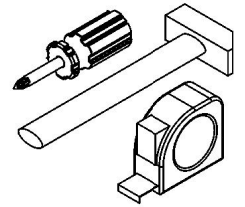
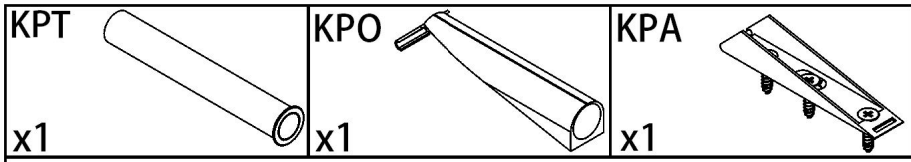
STEP 1



M3  x8	K1  x8
M1  x8	

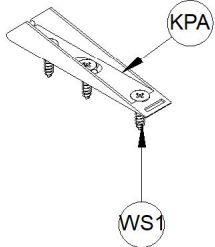
STEP 2



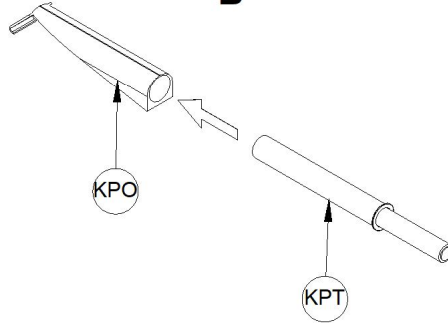


STEP 3

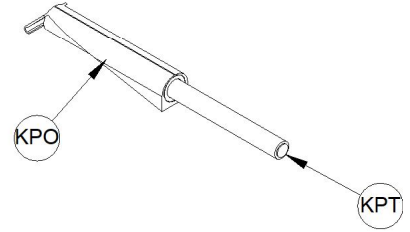
STEP 3 A



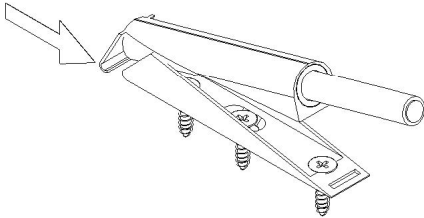
STEP 3 B



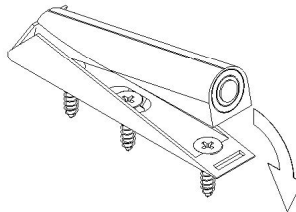
STEP 3 C



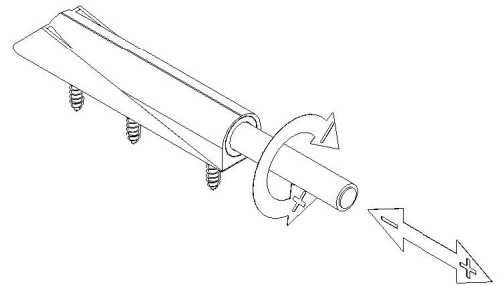
STEP 3 D



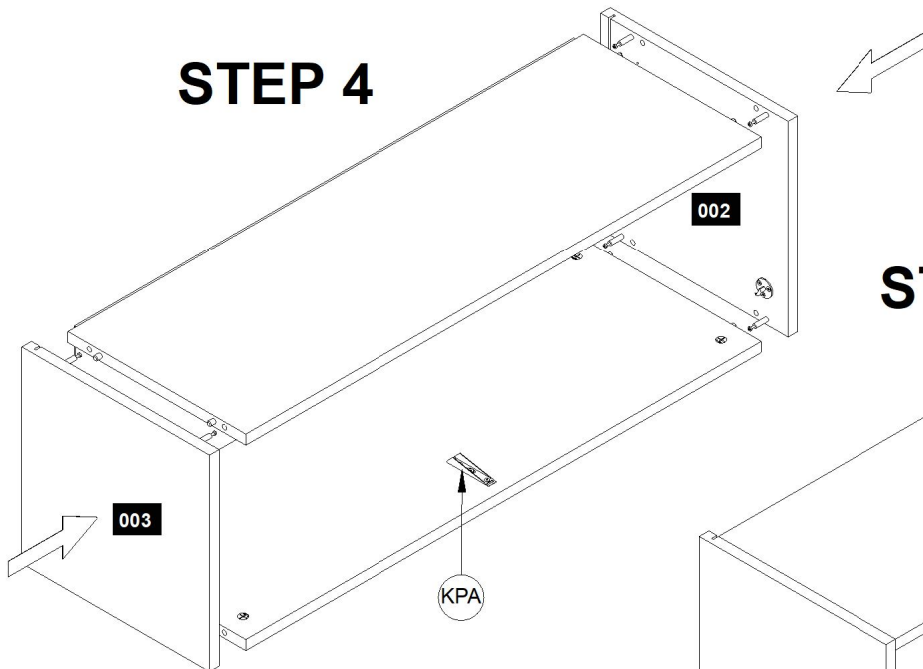
STEP 3 E



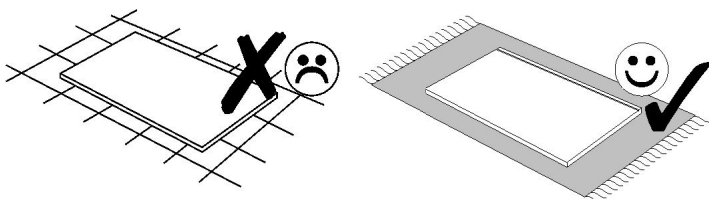
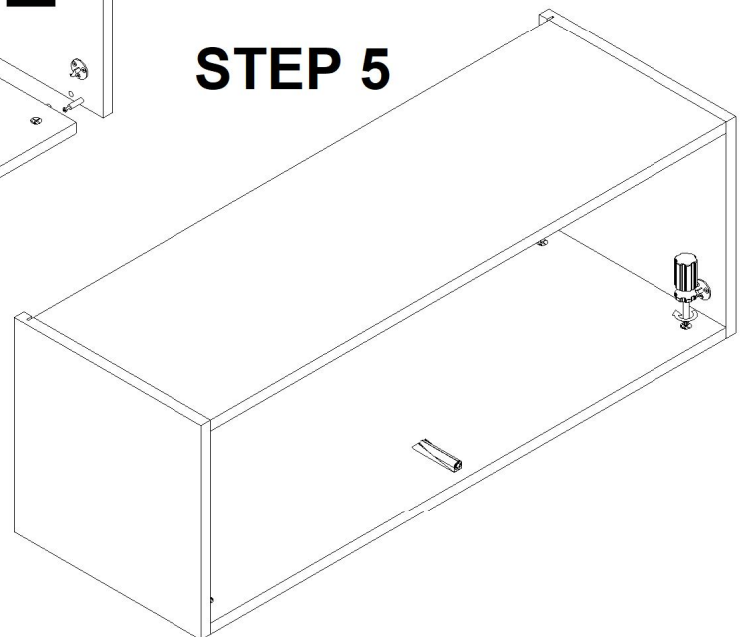
STEP 3 F




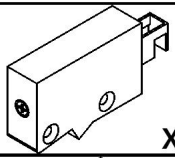
STEP 4




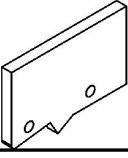
STEP 5

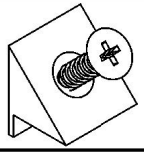


WS4  **x4**
4x35

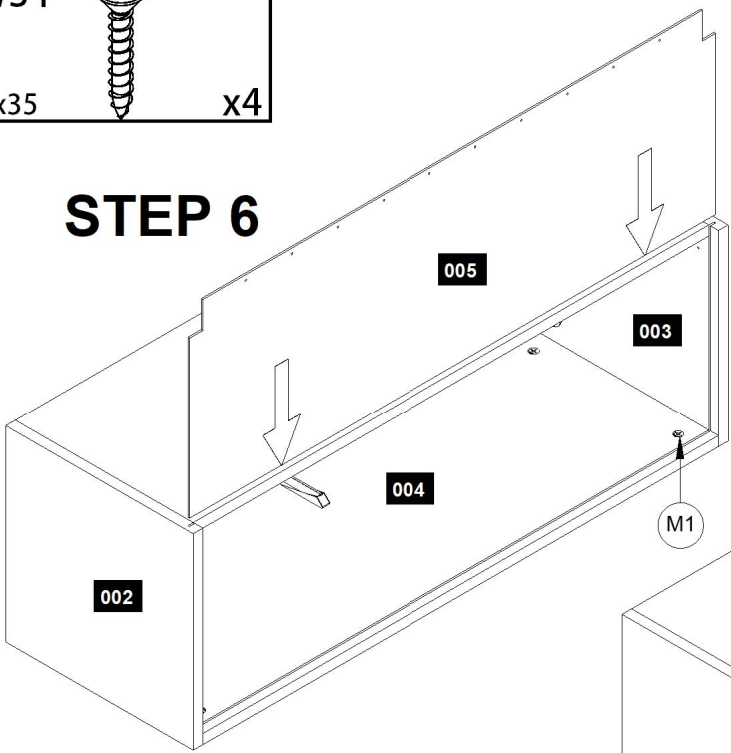
ZR1  **x2**

WS1  **x20**
3,5x16

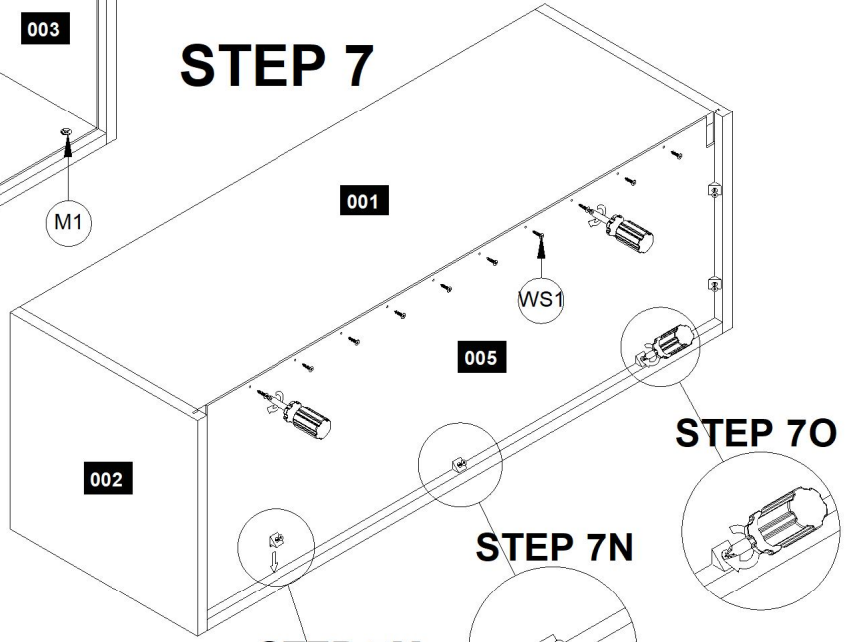
D1  **x2**

ST1  **x7**

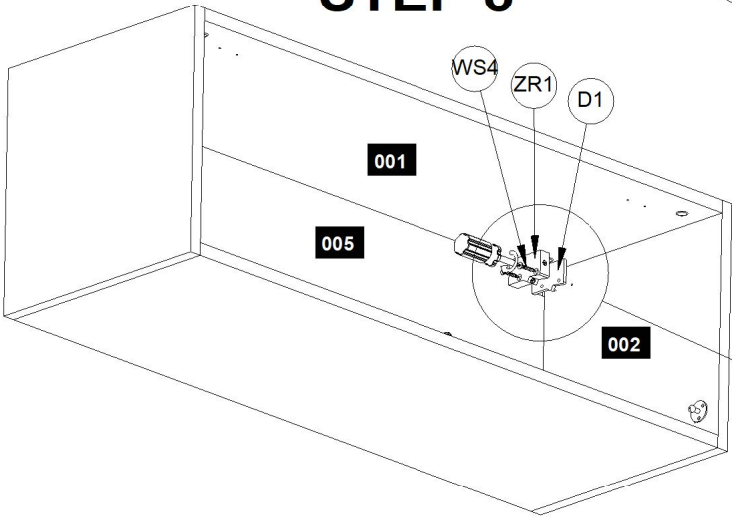
STEP 6



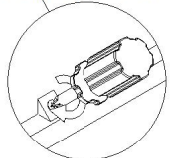
STEP 7



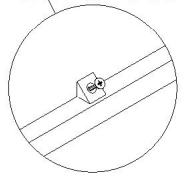
STEP 8



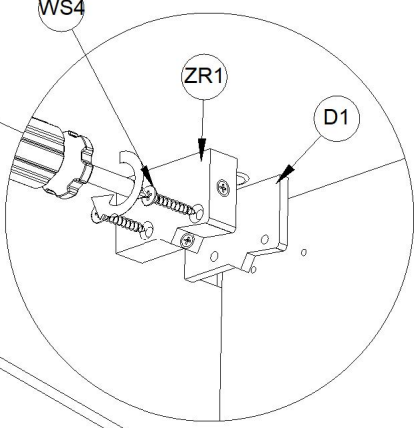
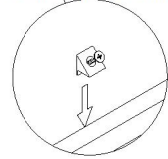
STEP 7O



STEP 7N

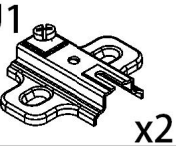


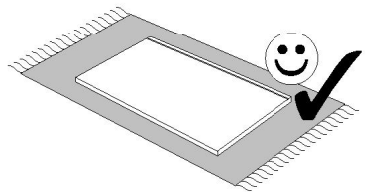
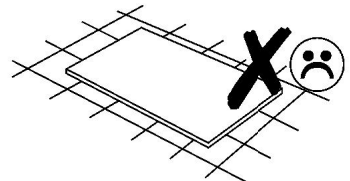
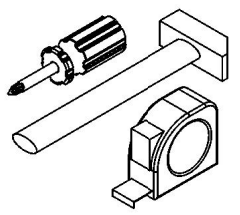
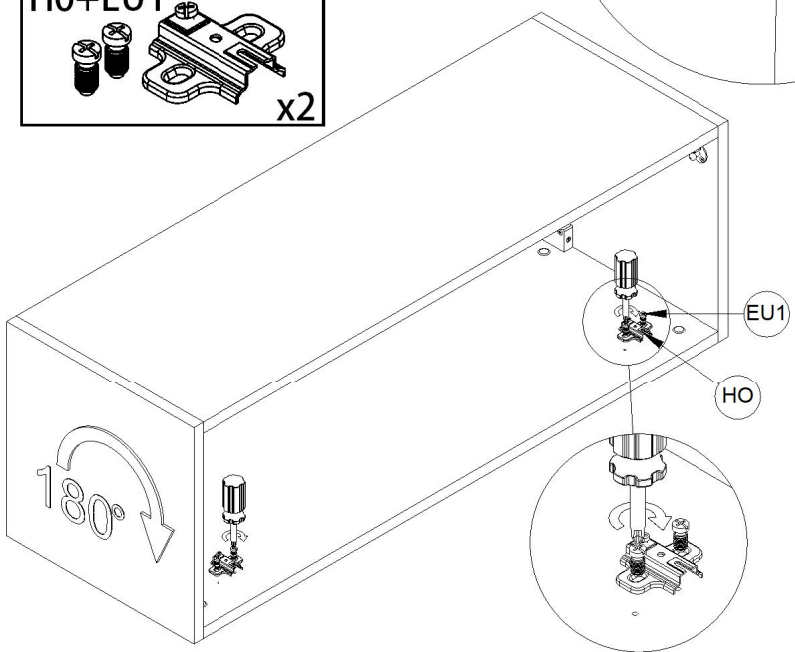
STEP 7M

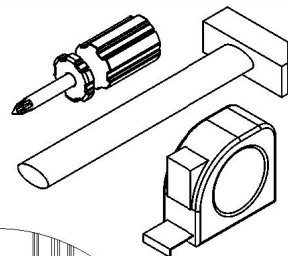
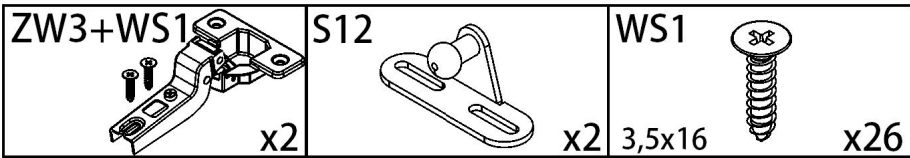


STEP 8

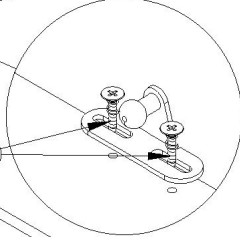
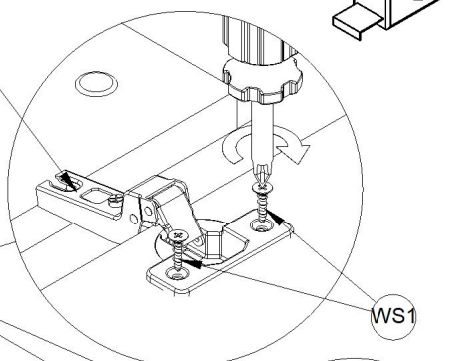
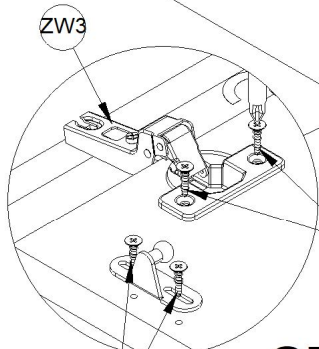
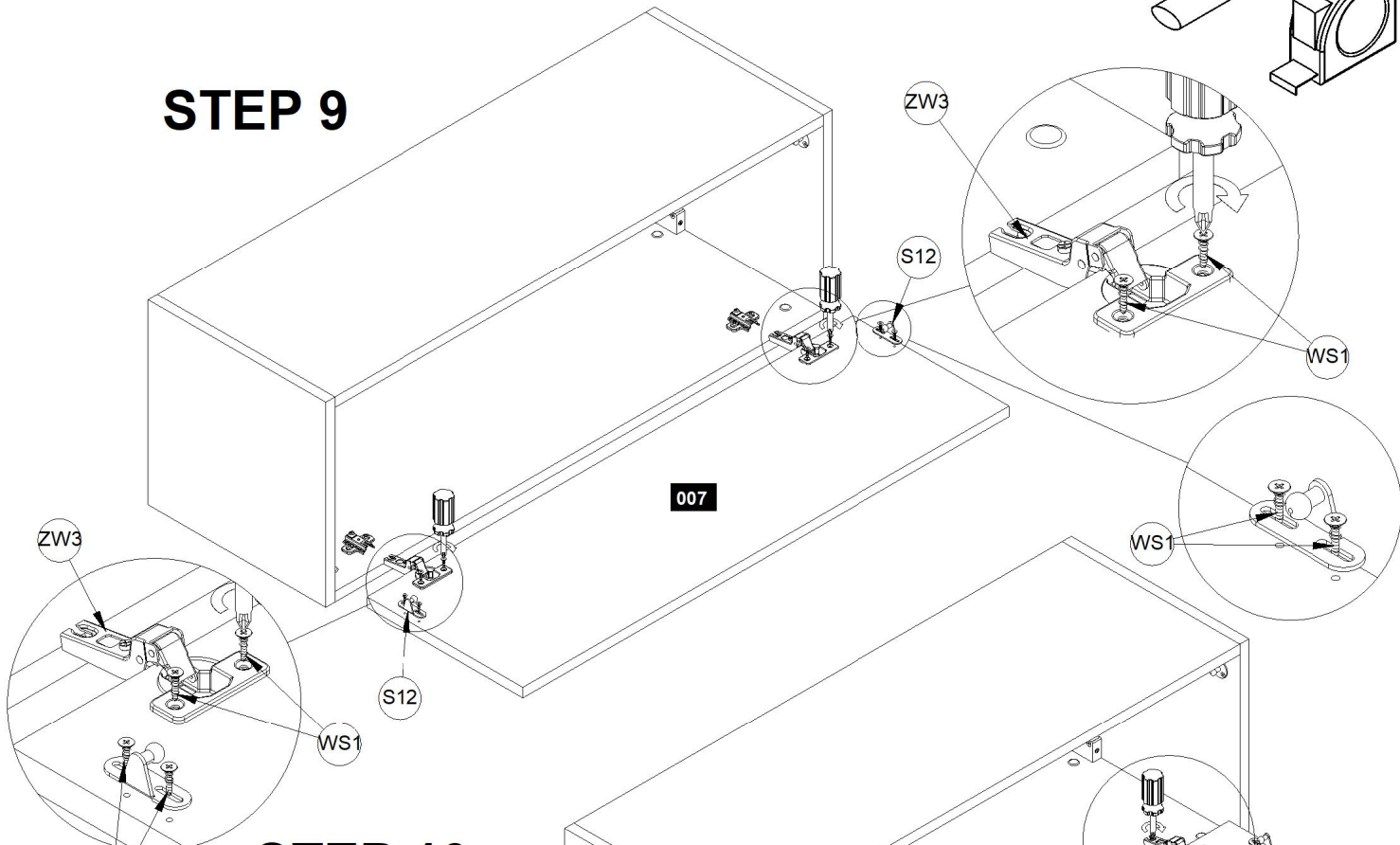


H0+EU1  **x2**

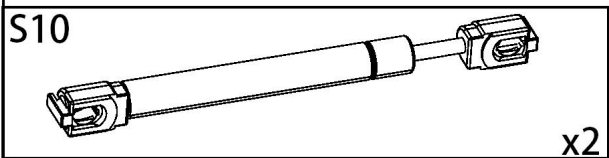
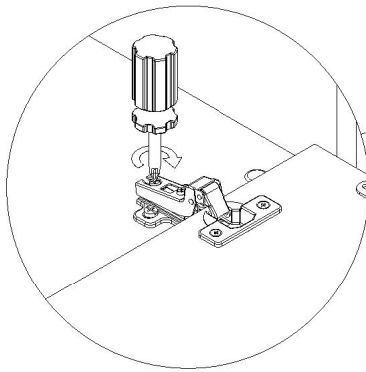
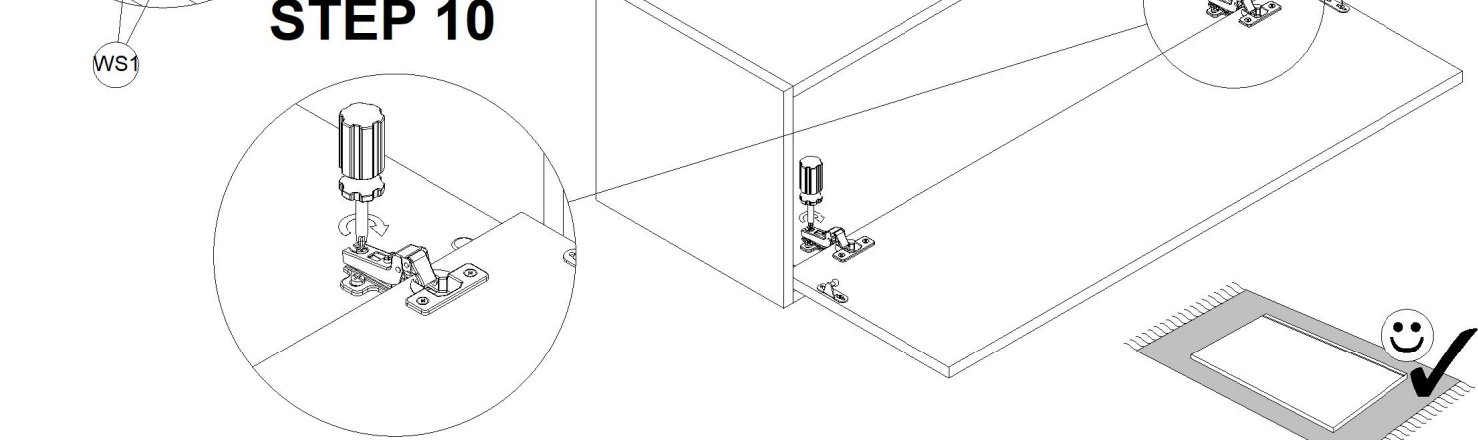




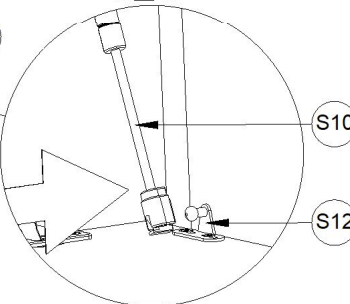
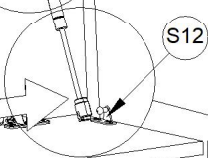
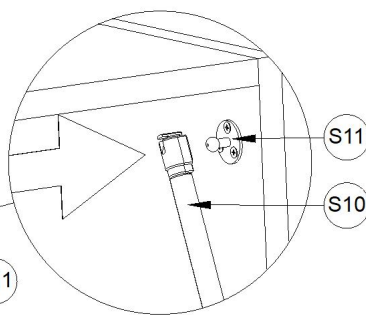
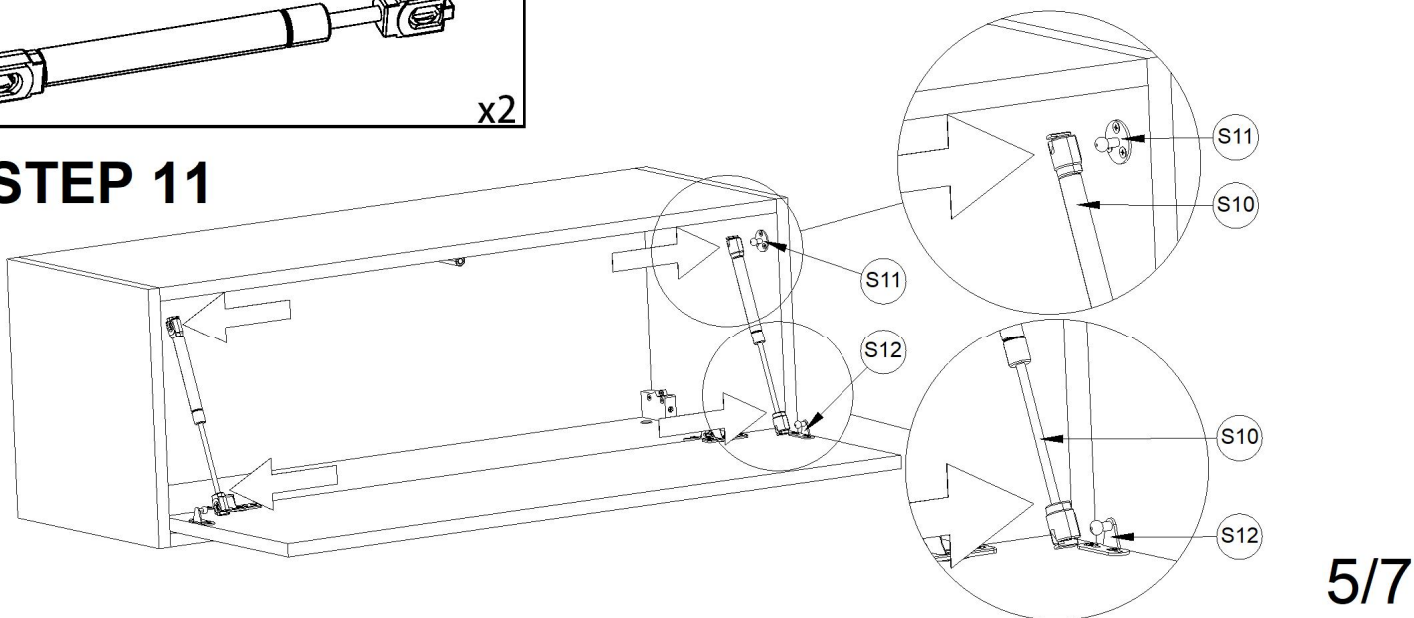
STEP 9



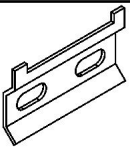
STEP 10



STEP 11

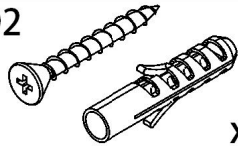


SZ

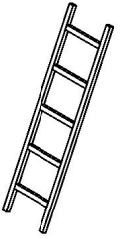
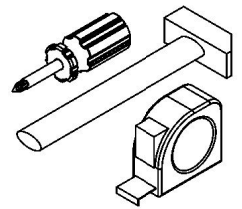


x2

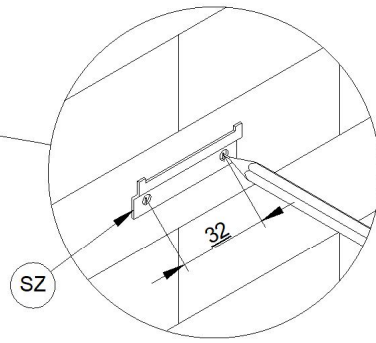
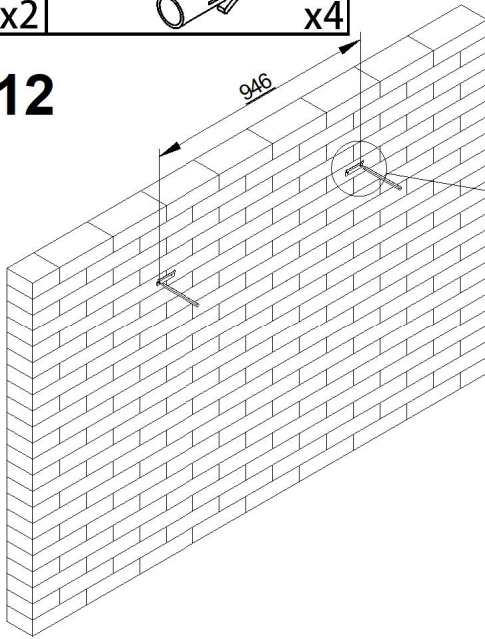
D2



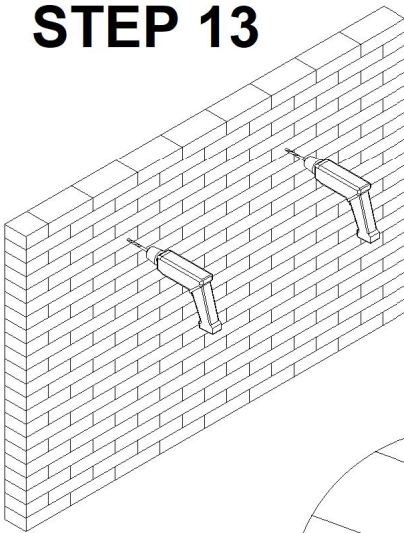
x4



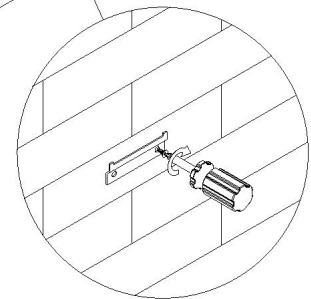
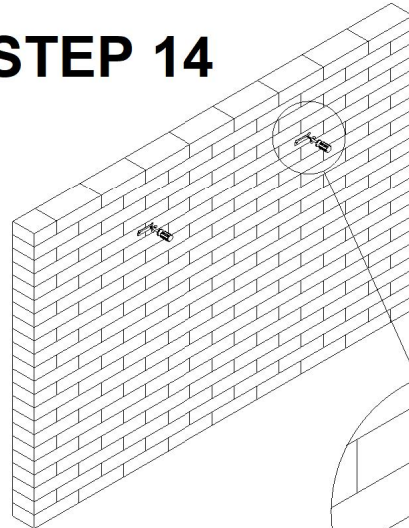
STEP 12



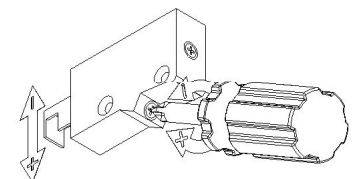
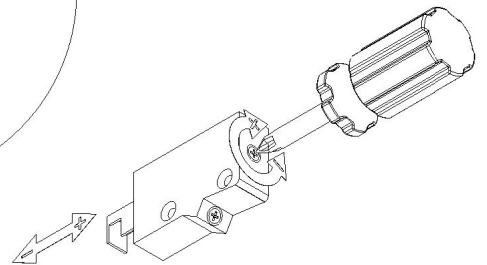
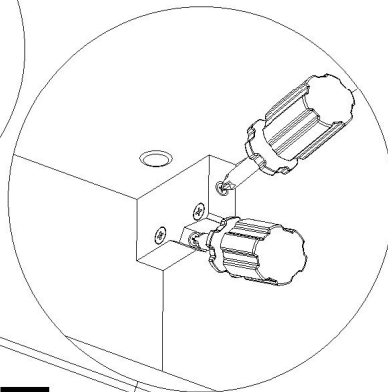
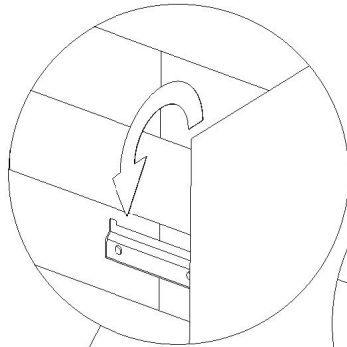
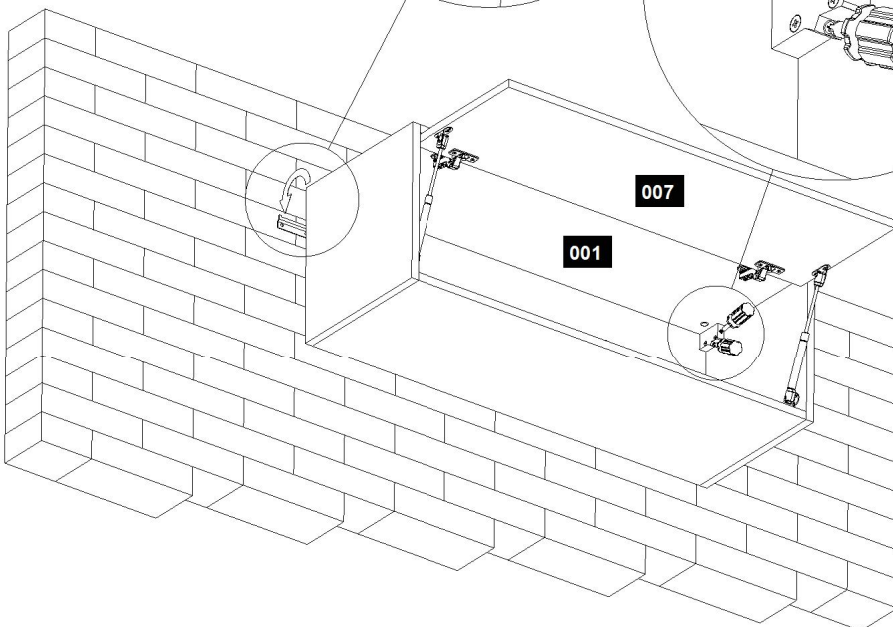
STEP 13



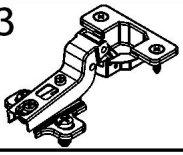
STEP 14



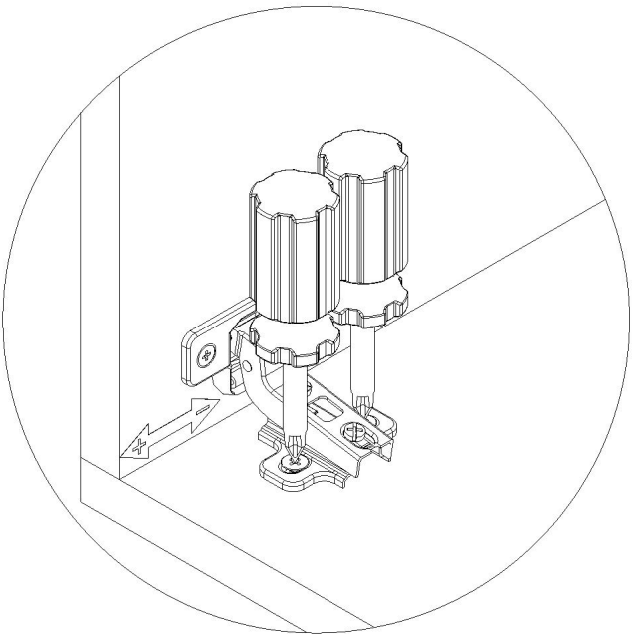
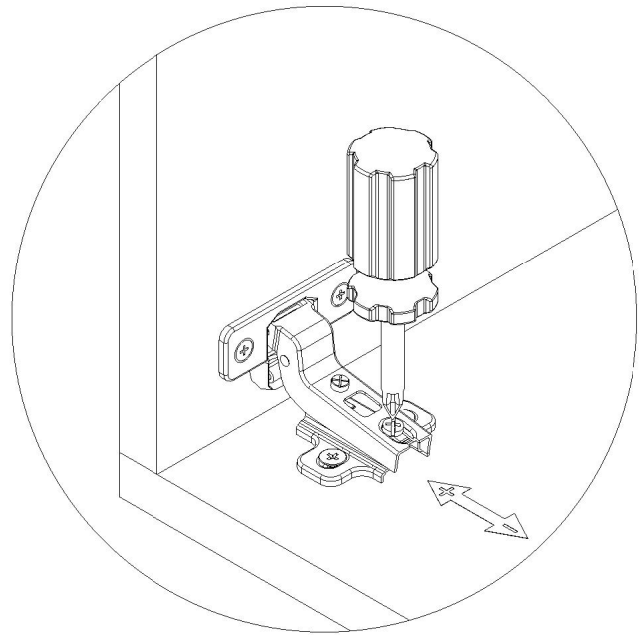
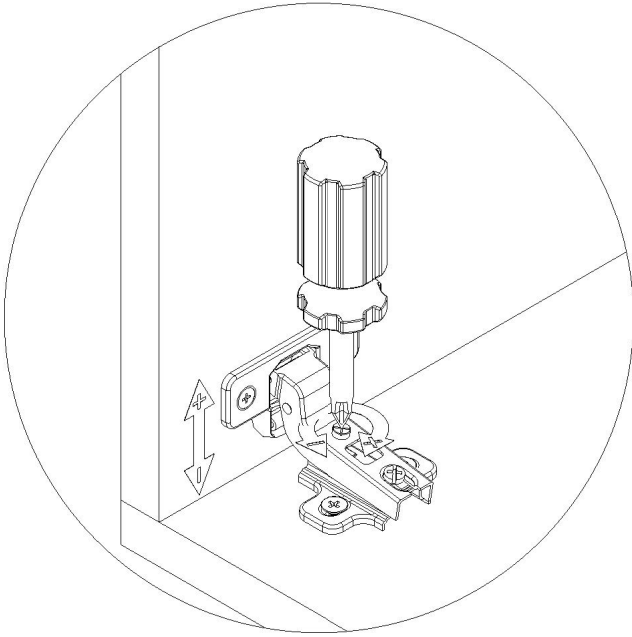
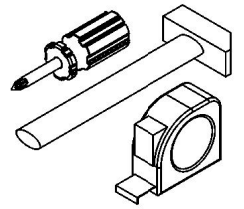
STEP 15

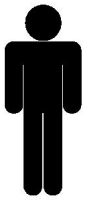


ZW3

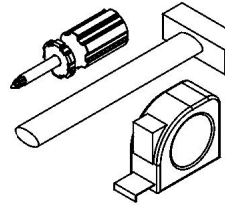
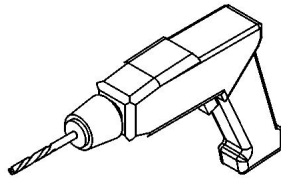


x2

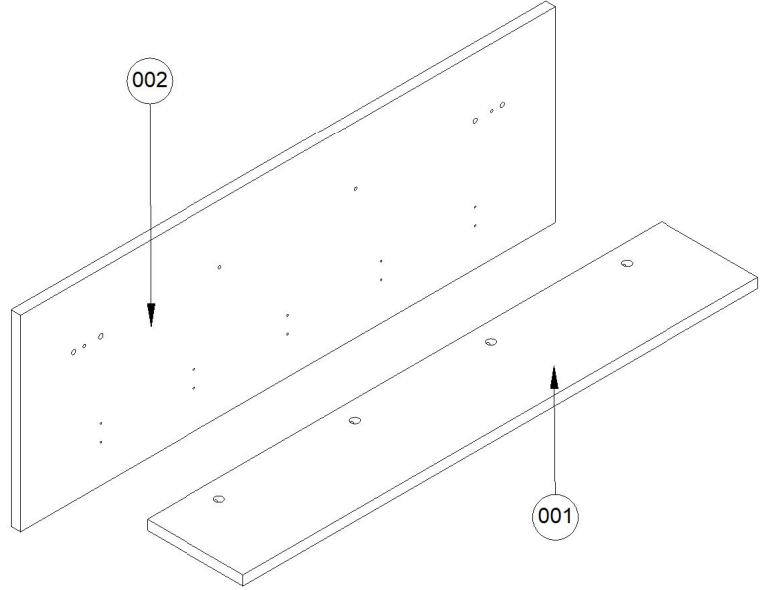
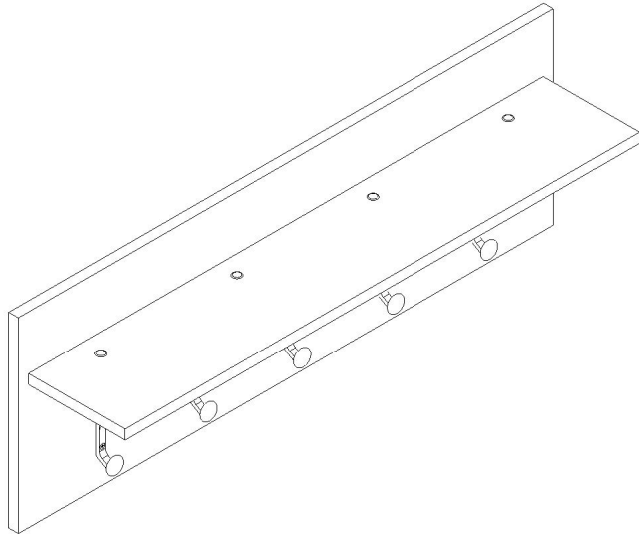
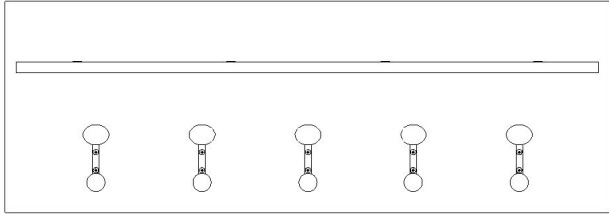




- 45 min.

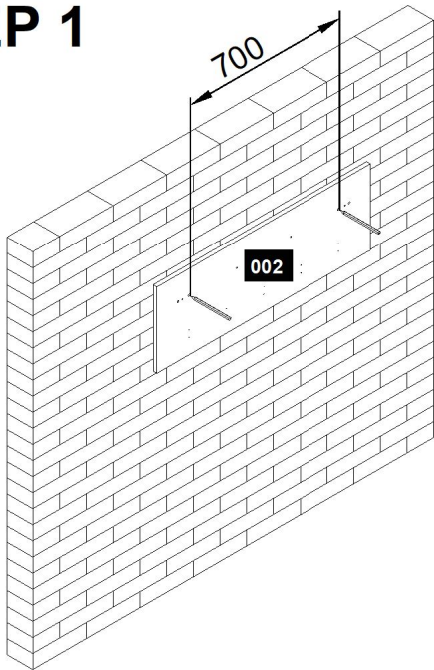


WP100

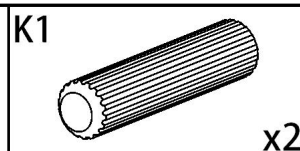
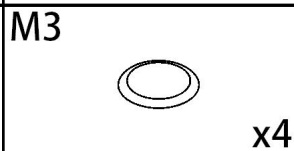
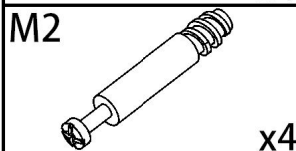
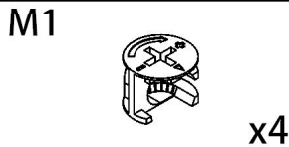
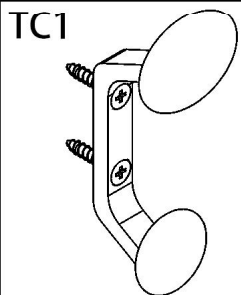
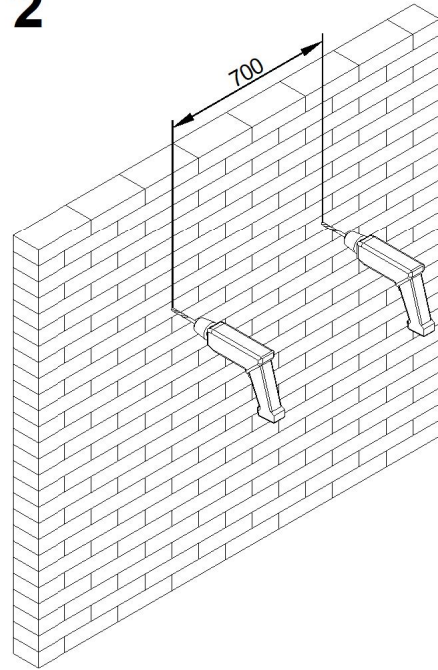


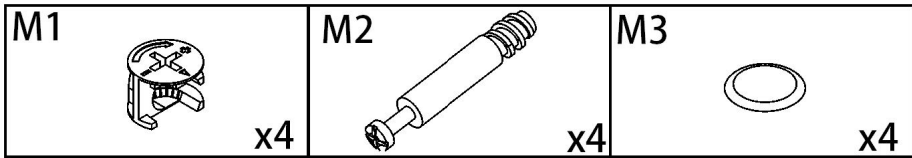
Number	Qty	Size A	Size B
001	1	180	962
002	1	350	1000

STEP 1

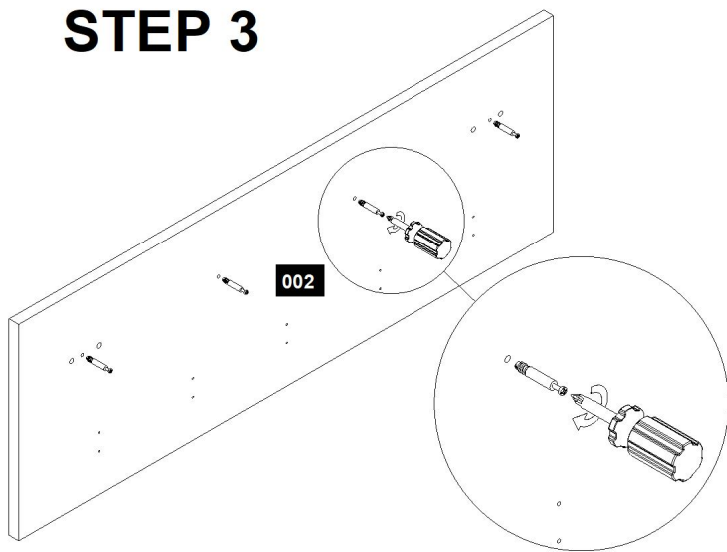


STEP 2

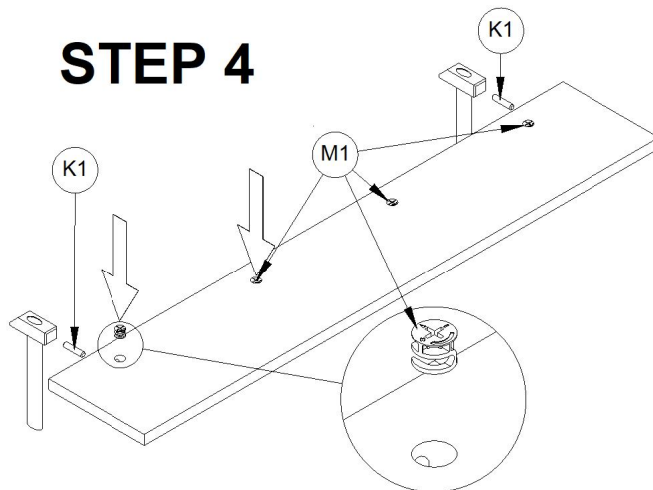




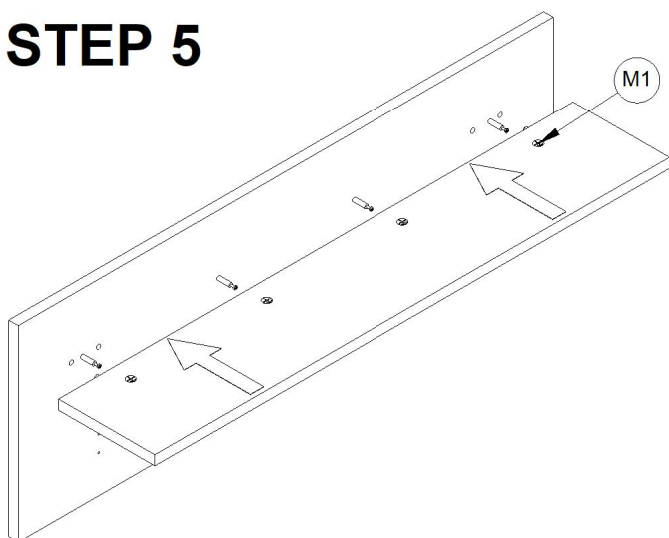
STEP 3



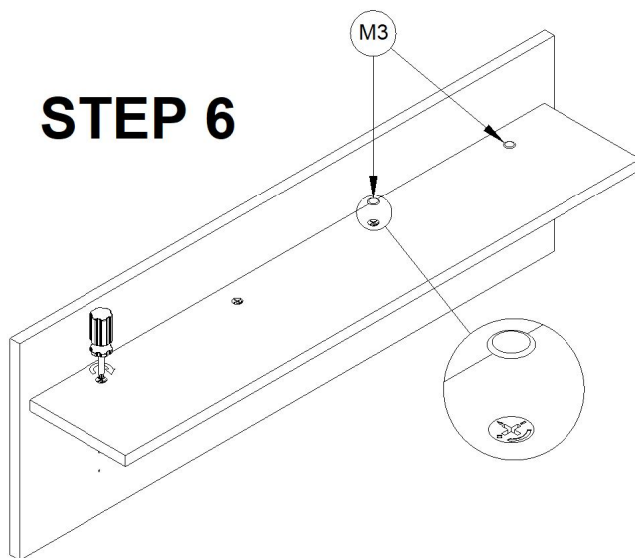
STEP 4



STEP 5



STEP 6



STEP 7

