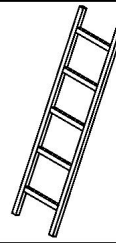
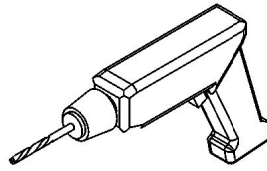
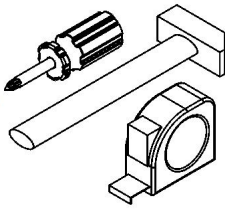
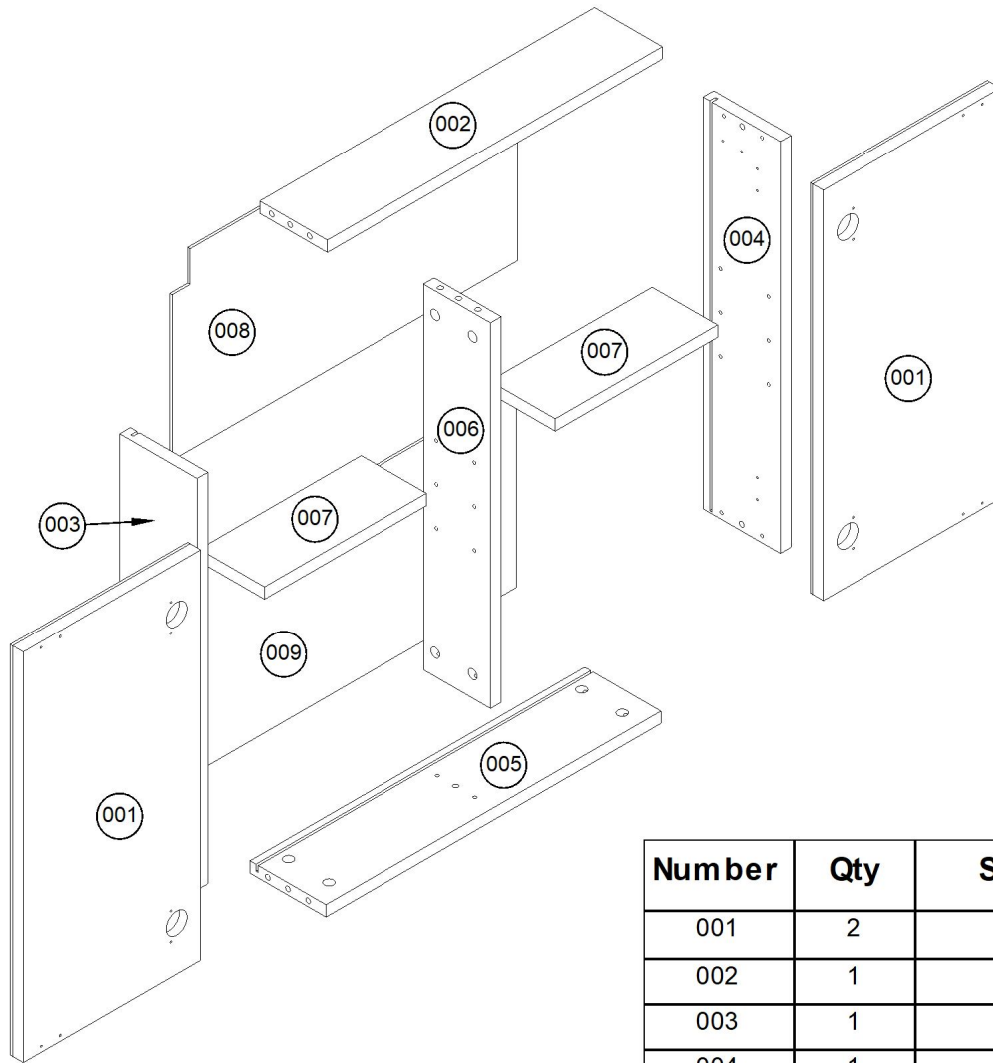


- 90 min.

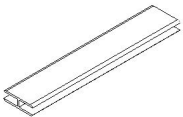


# MM60



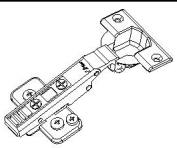
Number	Qty	Size A	Size B
001	2	598	298
002	1	564	114
003	1	600	130
004	1	600	130
005	1	564	128
006	1	562	113
007	2	273	110
008	1	293	582
009	1	293	582

HL



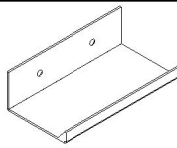
x1

ZZ



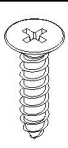
x4

U1



x2

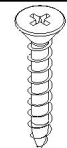
WS1



3,5x16

x22

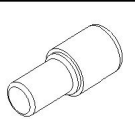
WS4



4x35

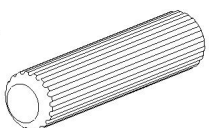
x4

P5



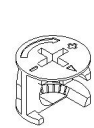
x8

K1



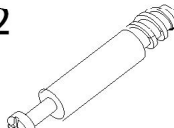
x6

M1



x12

M2



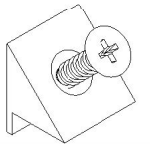
x12

M3



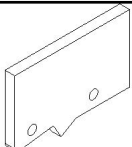
x12

ST1



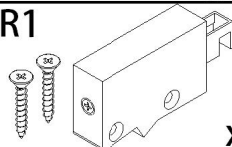
x6

D1



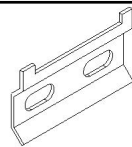
x2

ZR1



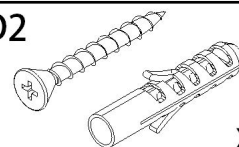
x2

SZ



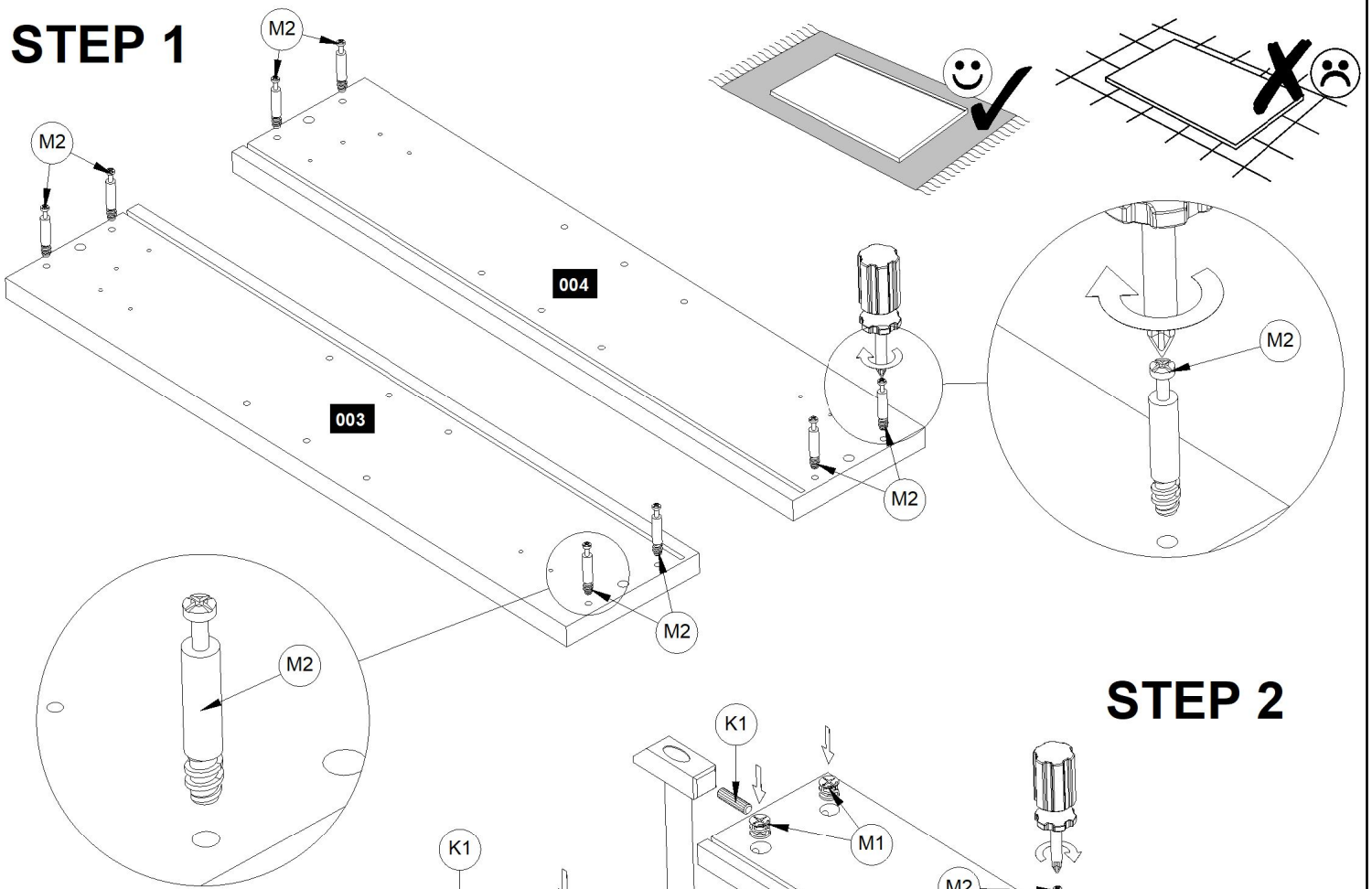
x2

D2

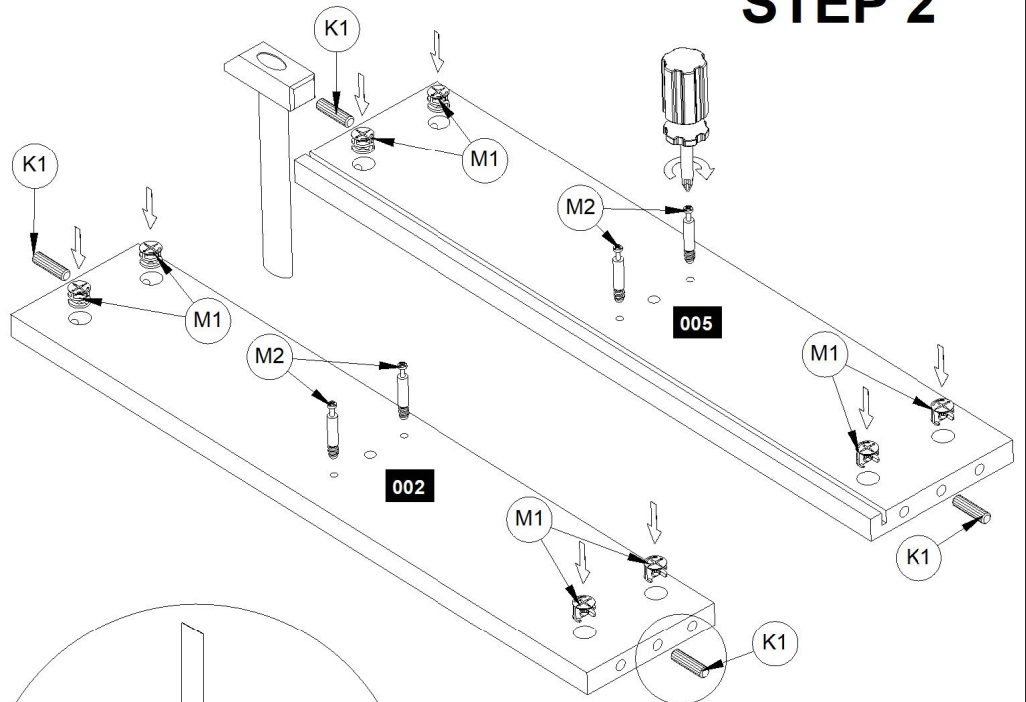


x4

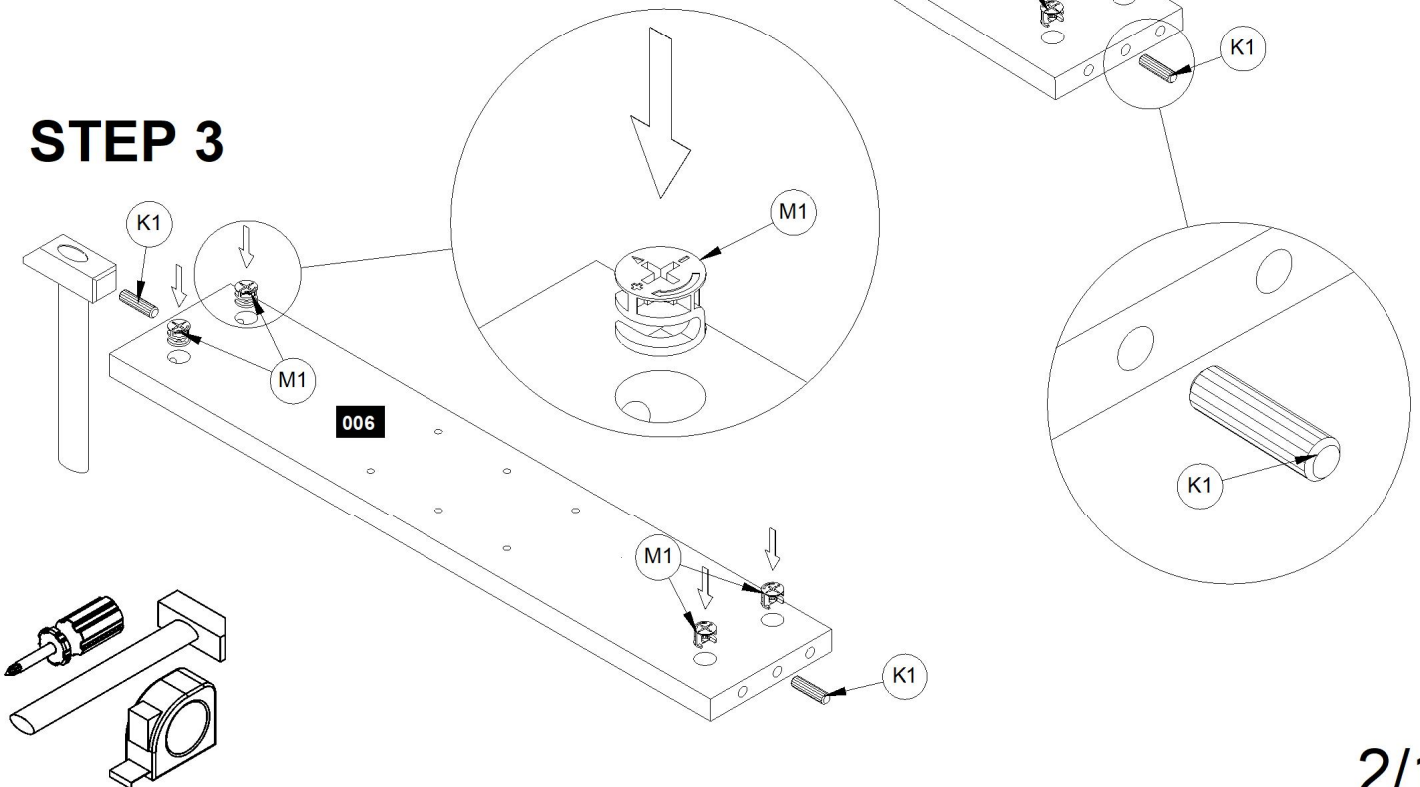
# STEP 1

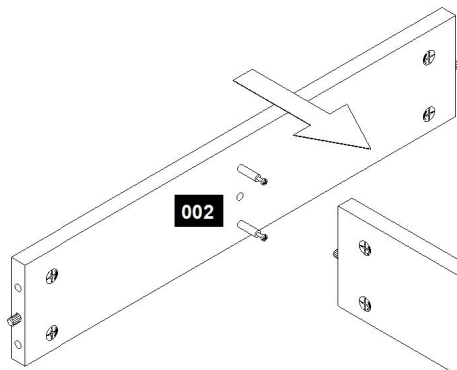
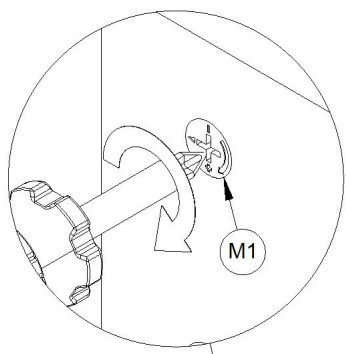


# STEP 2

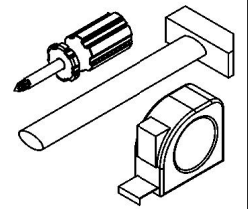


# STEP 3

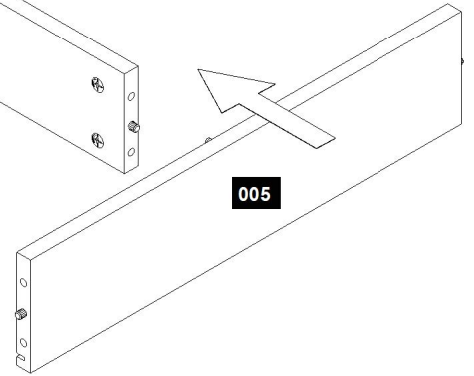
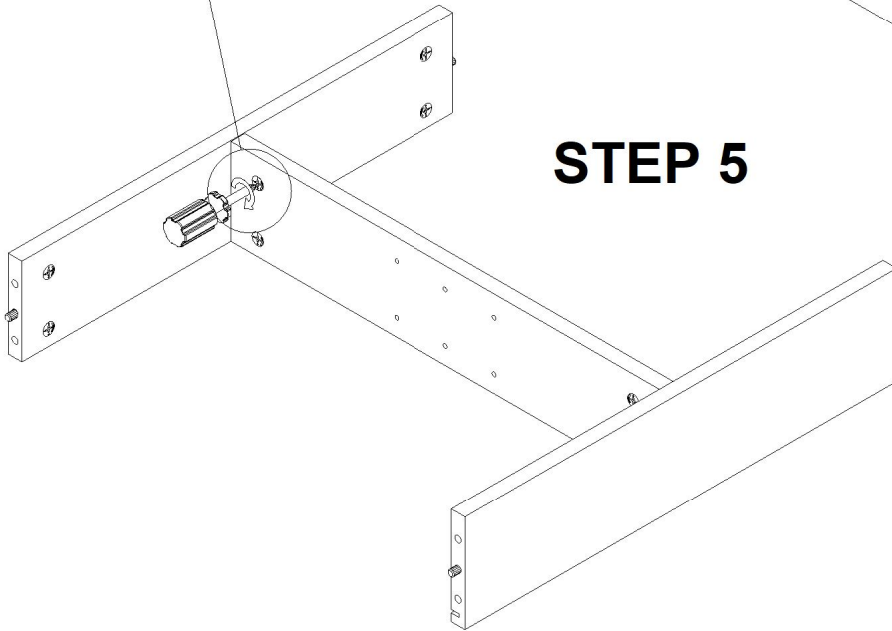




**STEP 4**

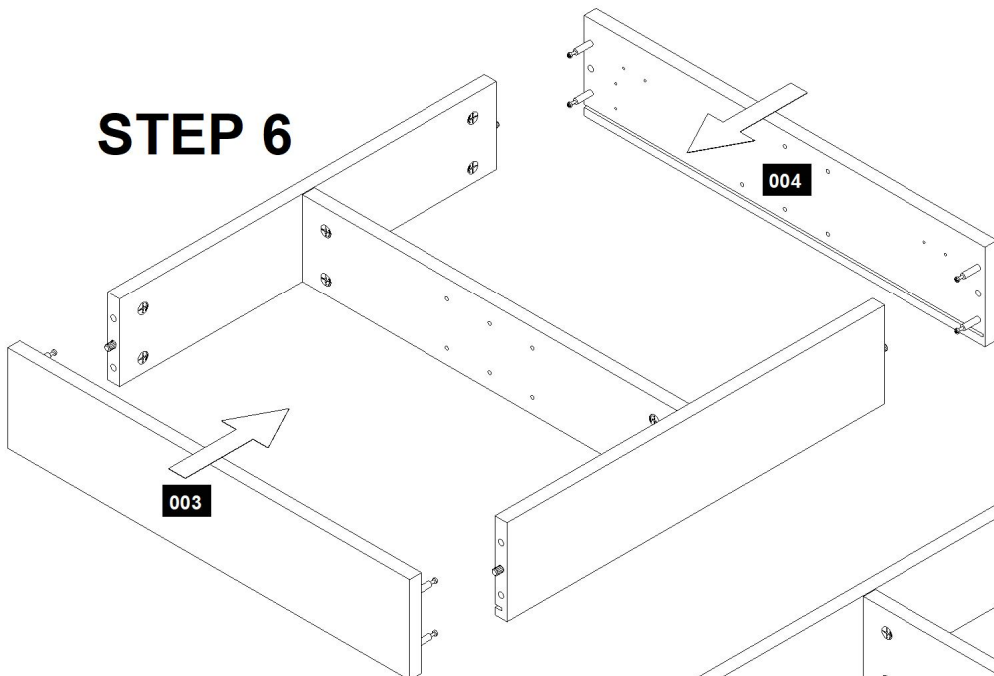


**STEP 5**

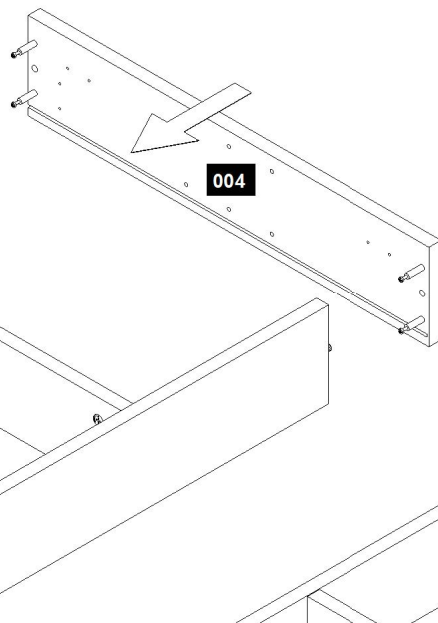


**005**

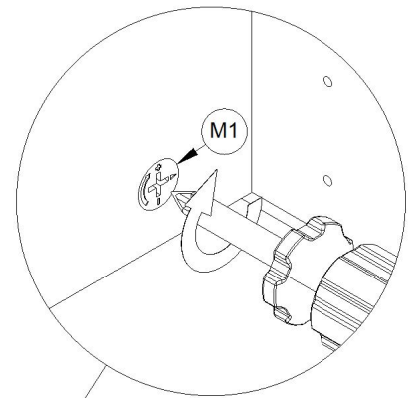
**STEP 6**



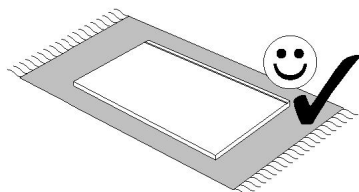
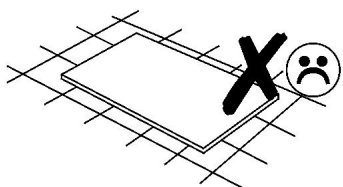
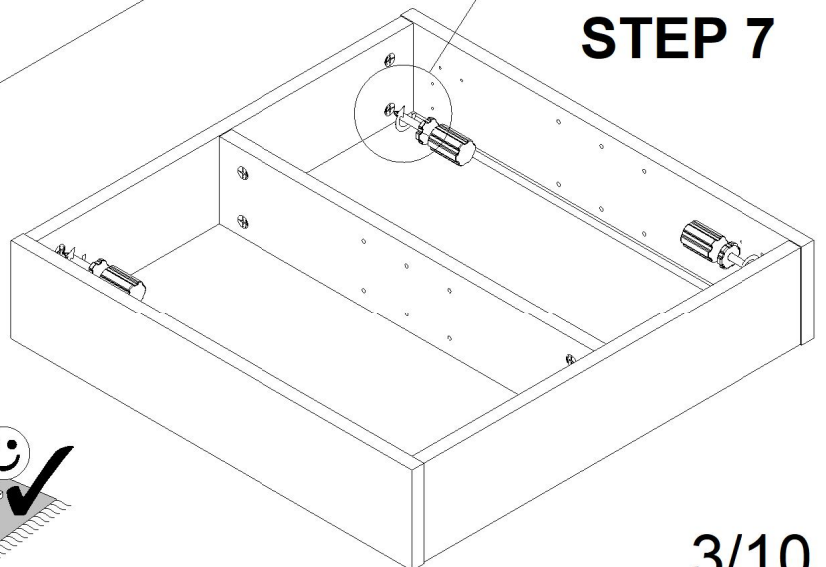
**003**



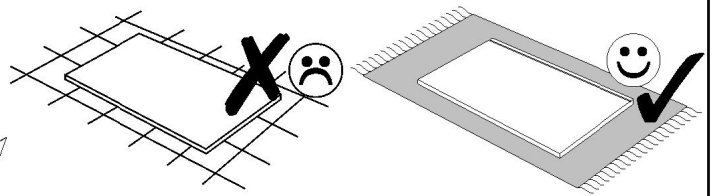
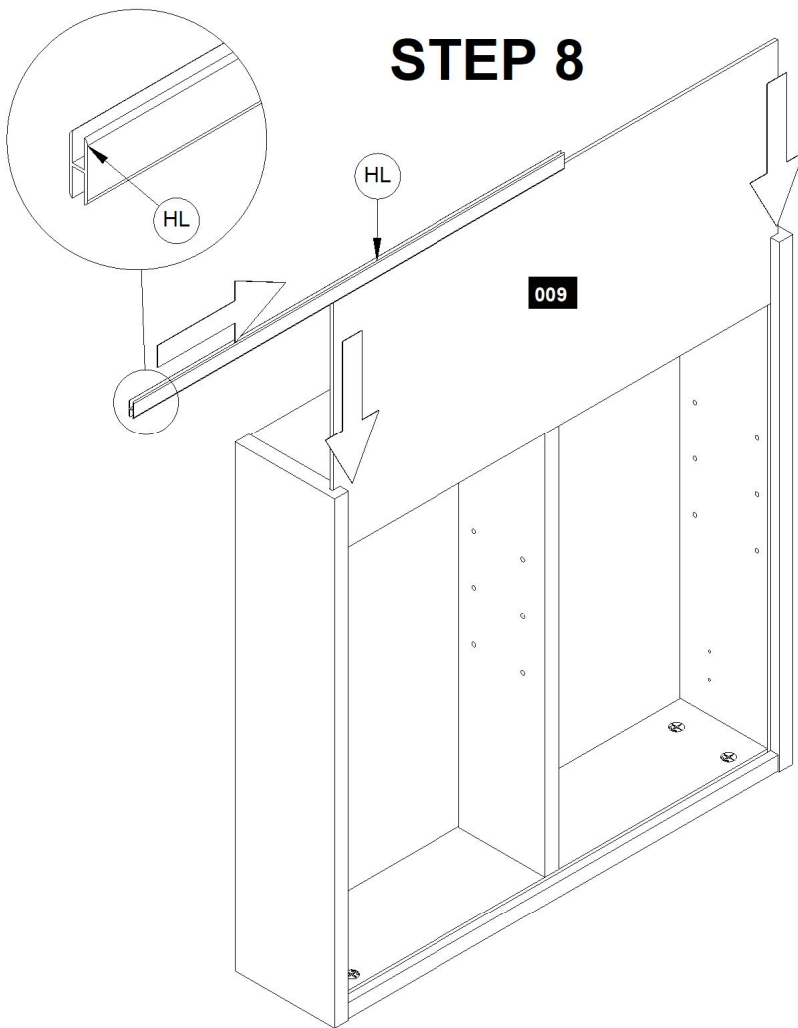
**004**



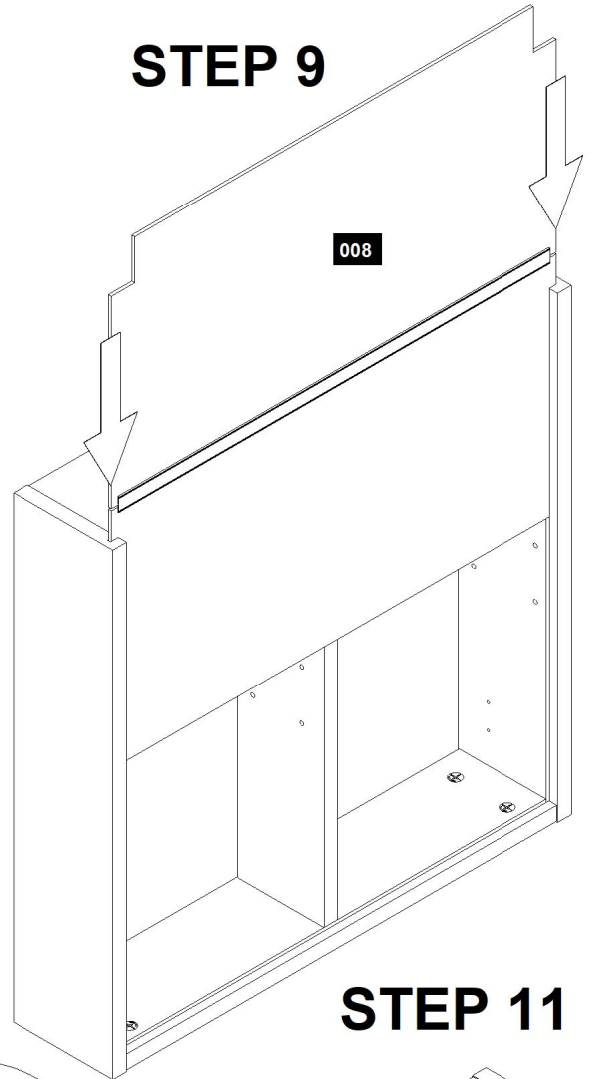
**STEP 7**



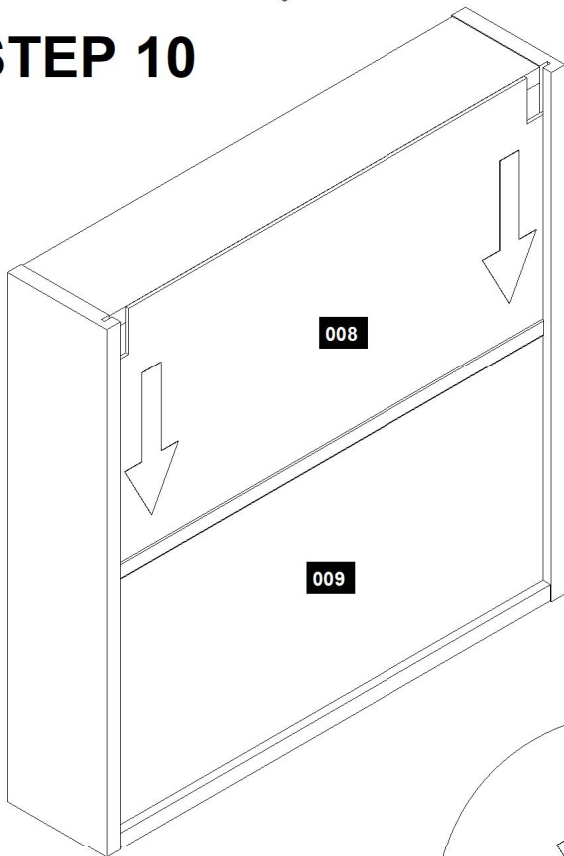
# STEP 8



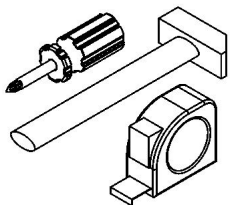
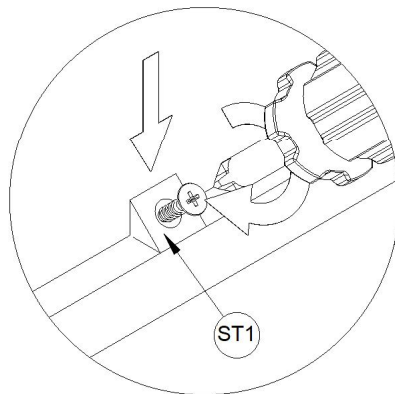
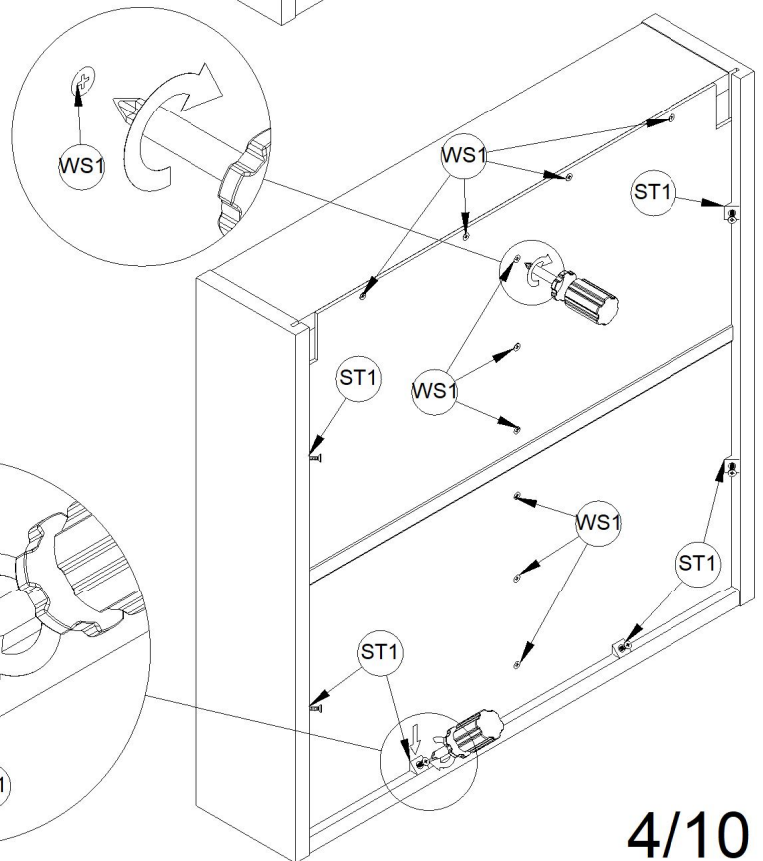
# STEP 9



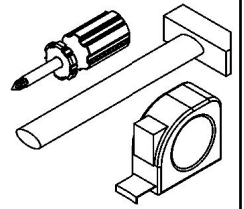
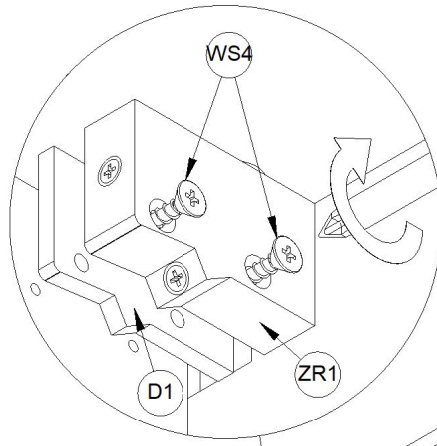
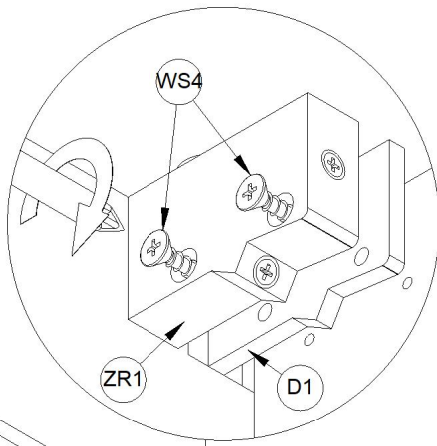
# STEP 10



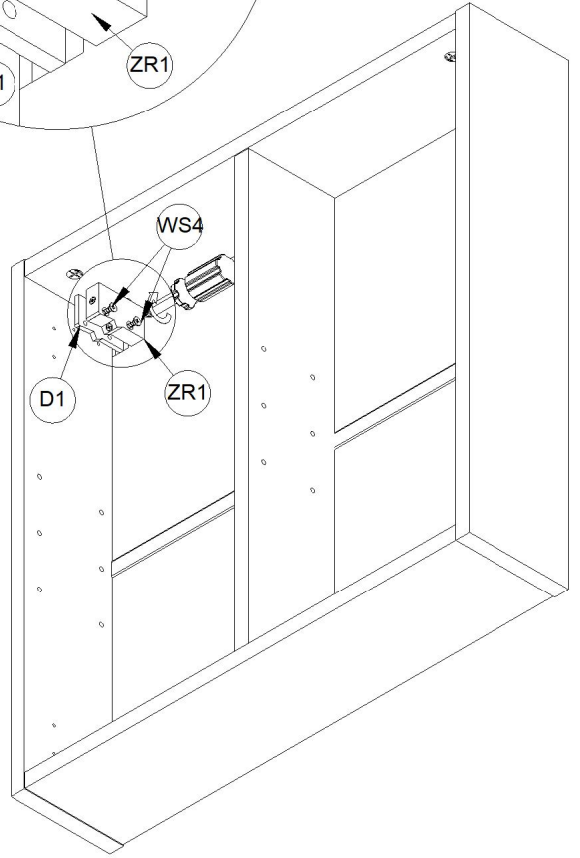
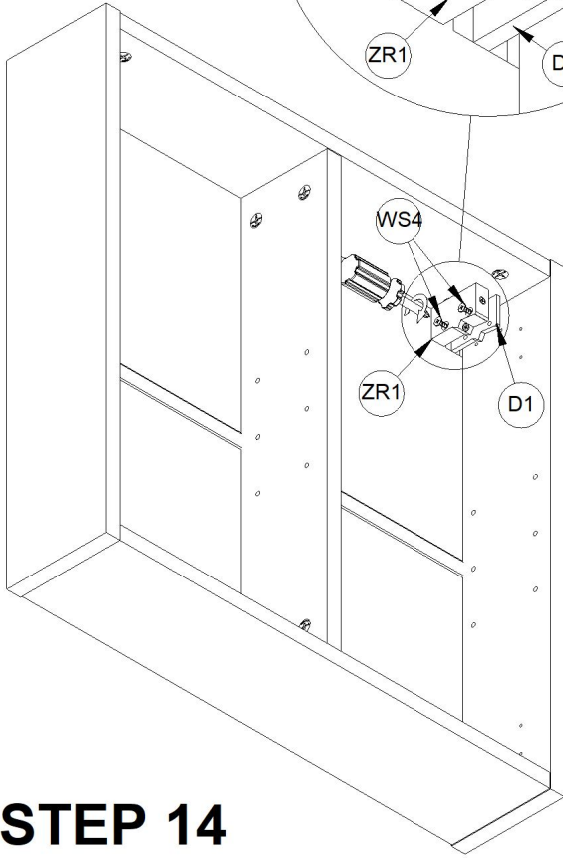
# STEP 11



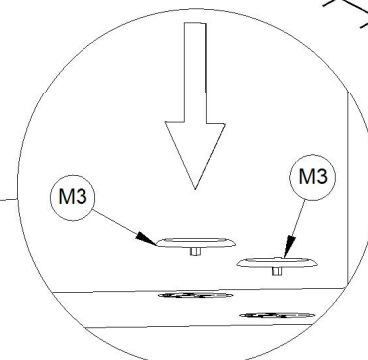
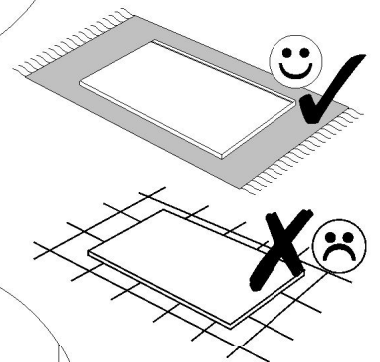
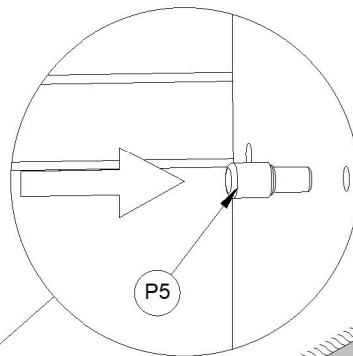
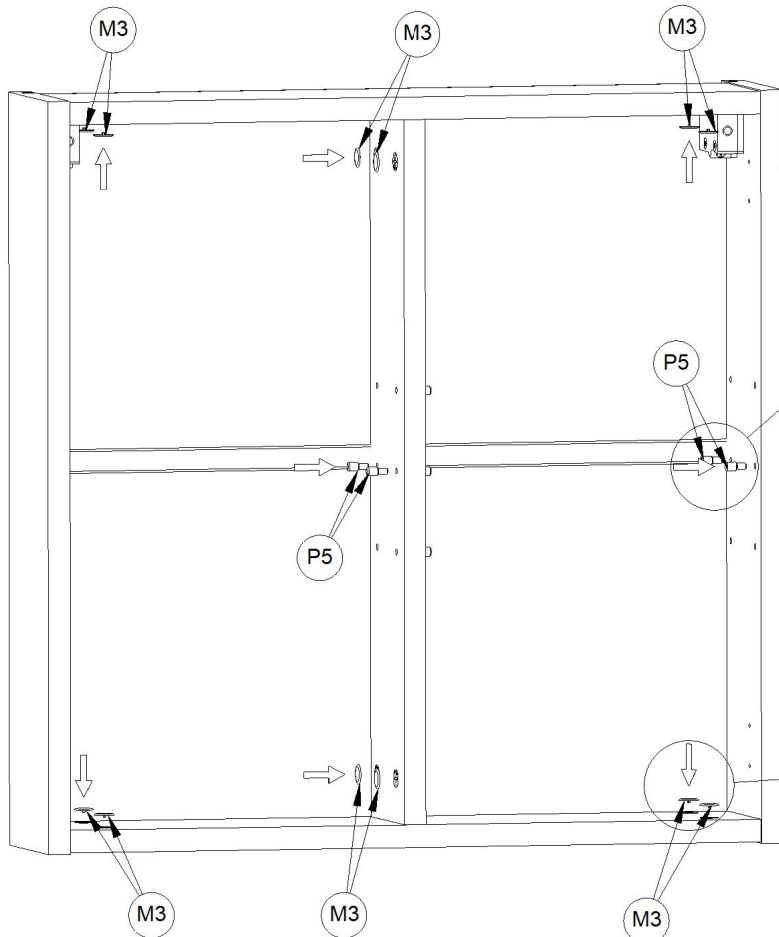
# STEP 12

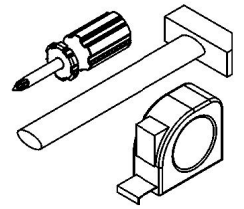


# STEP 13

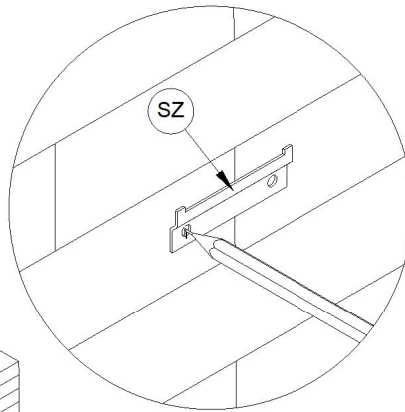
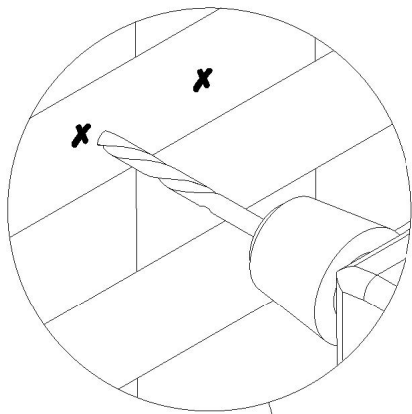
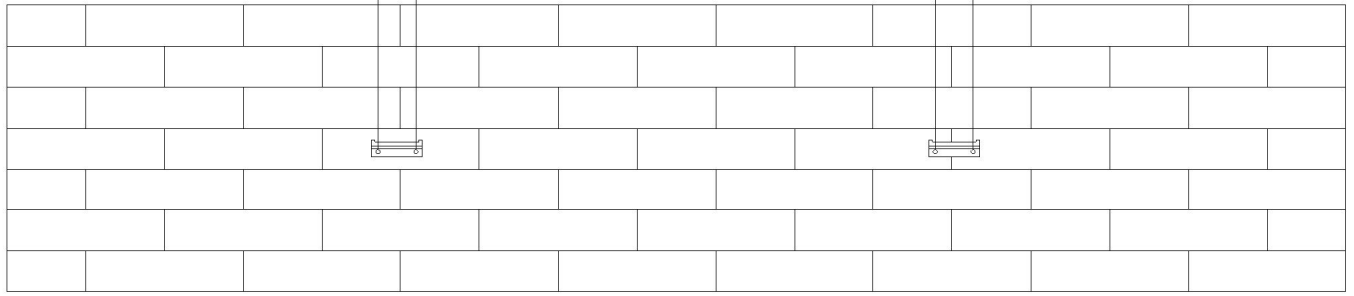
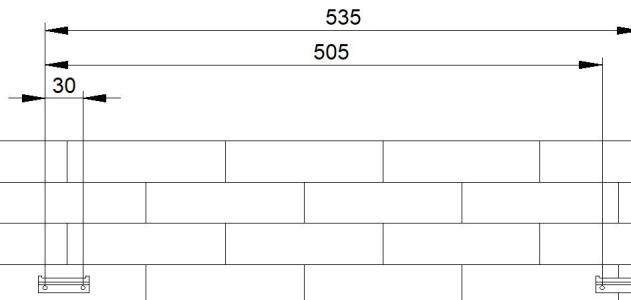


# STEP 14

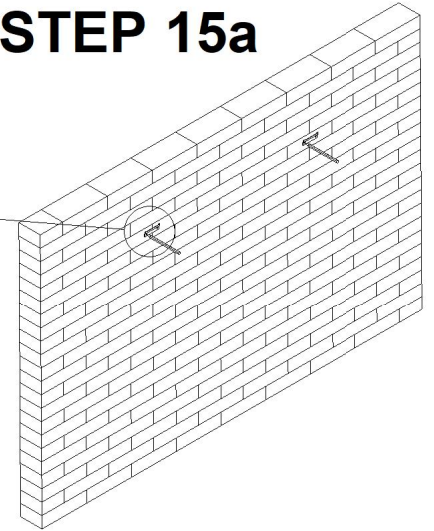




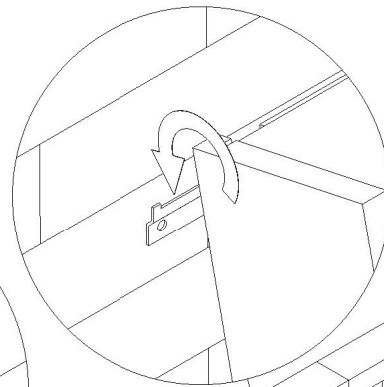
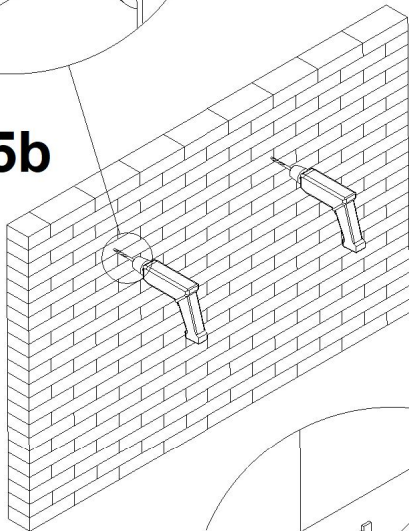
# STEP 15



## STEP 15a

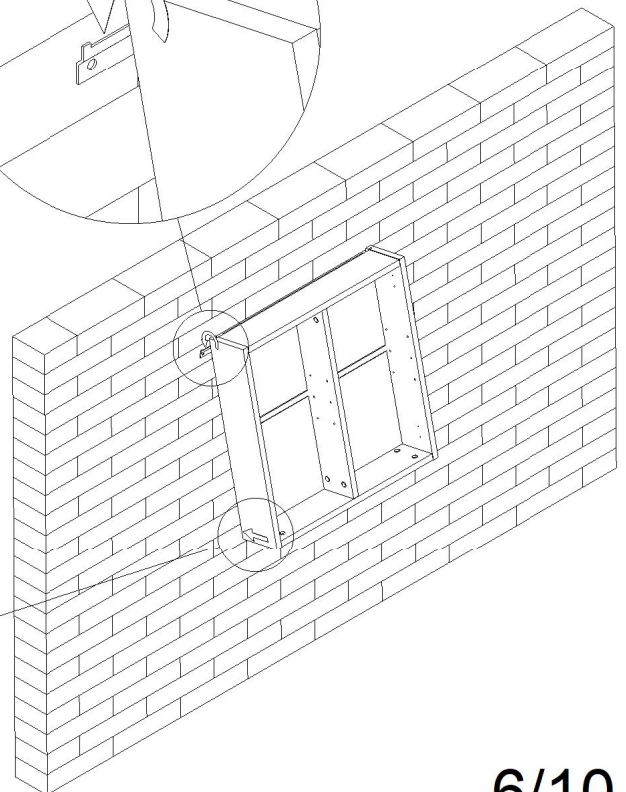
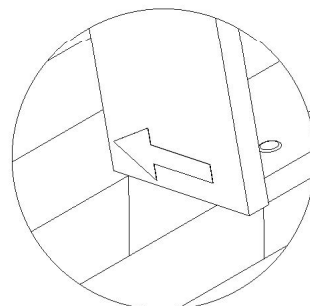
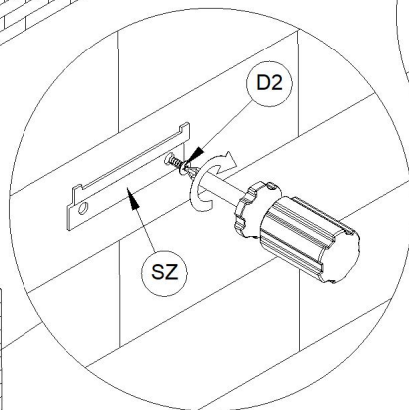
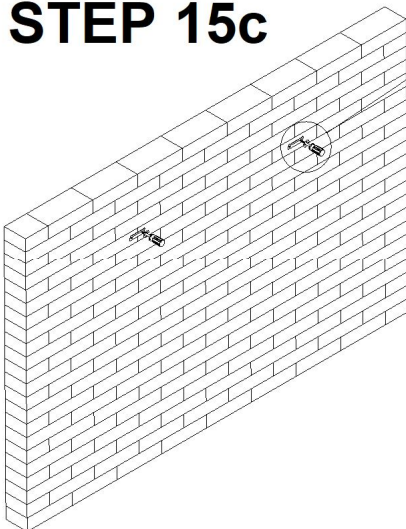


## STEP 15b

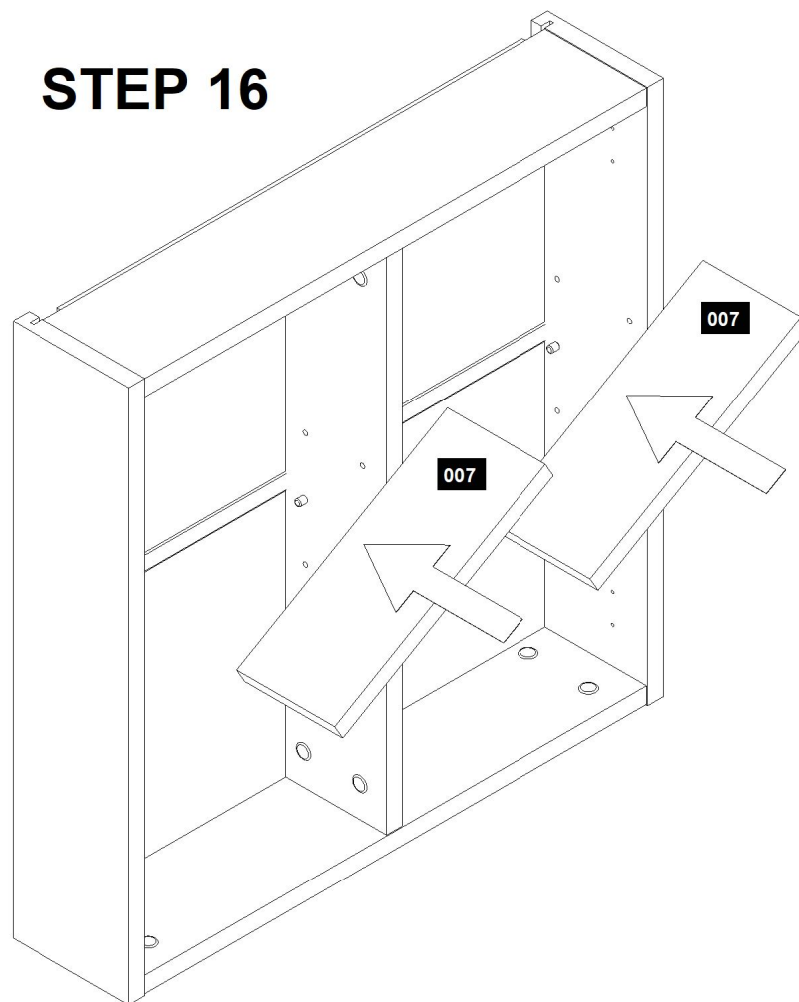


## STEP 15d

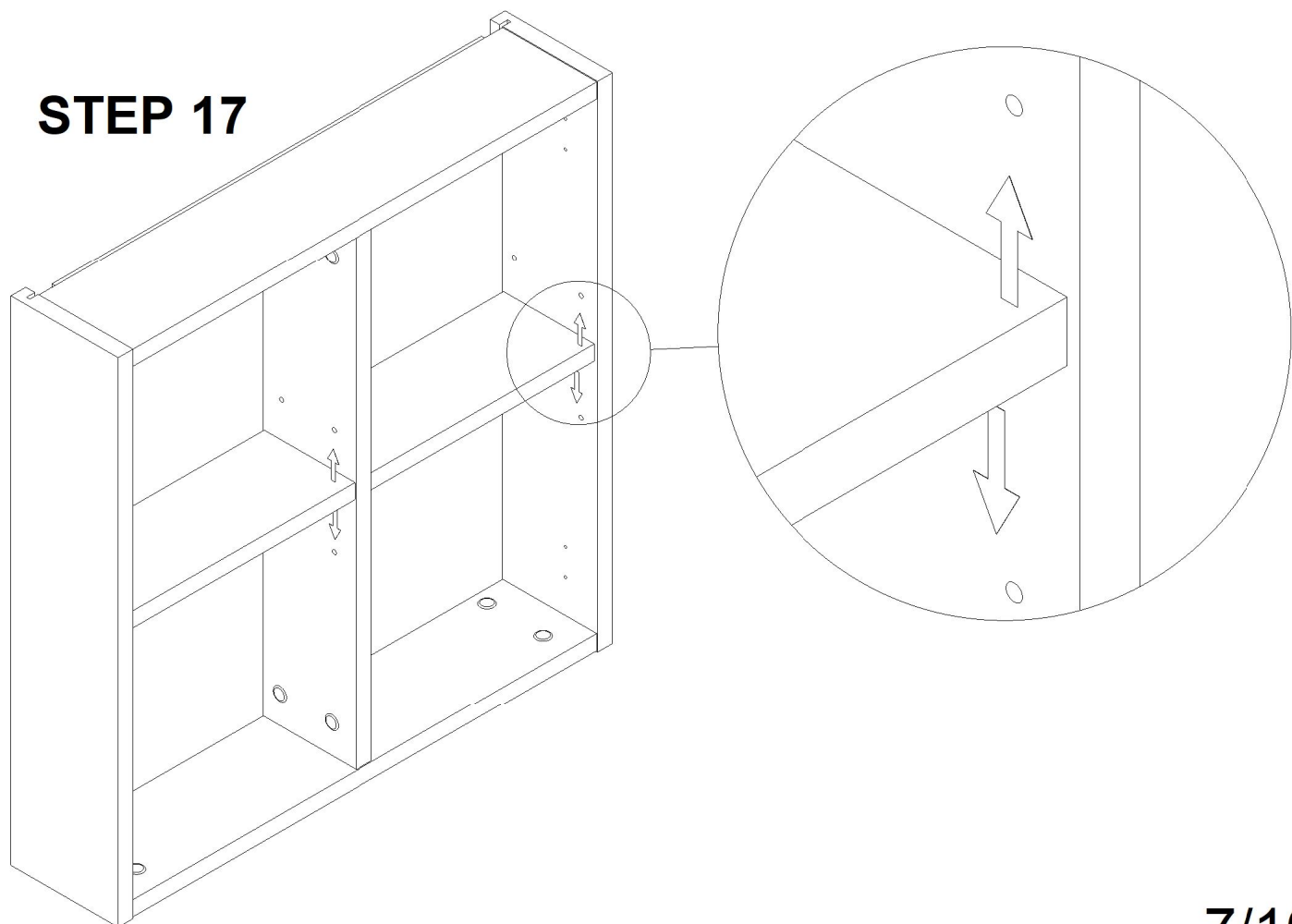
## STEP 15c



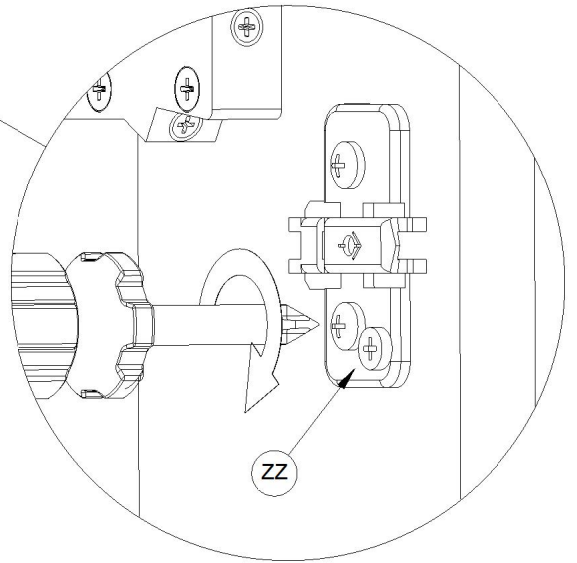
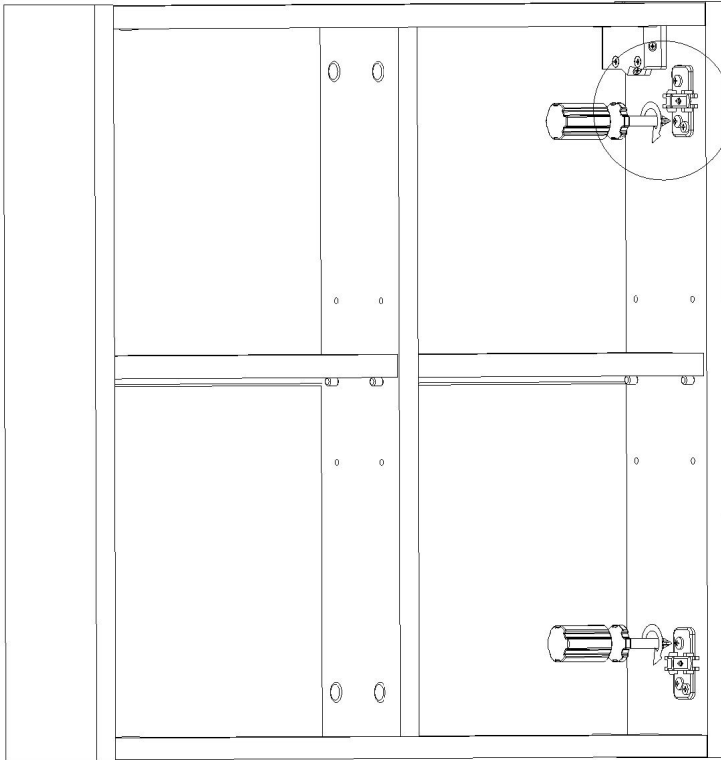
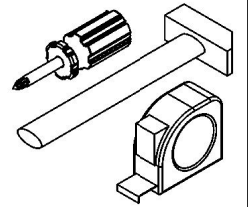
# STEP 16



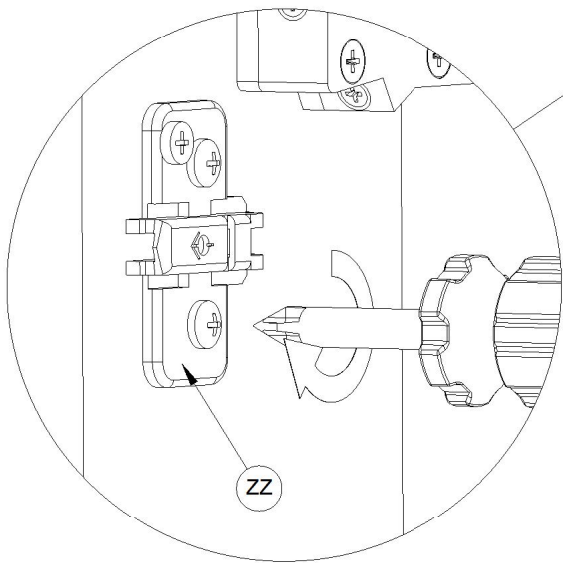
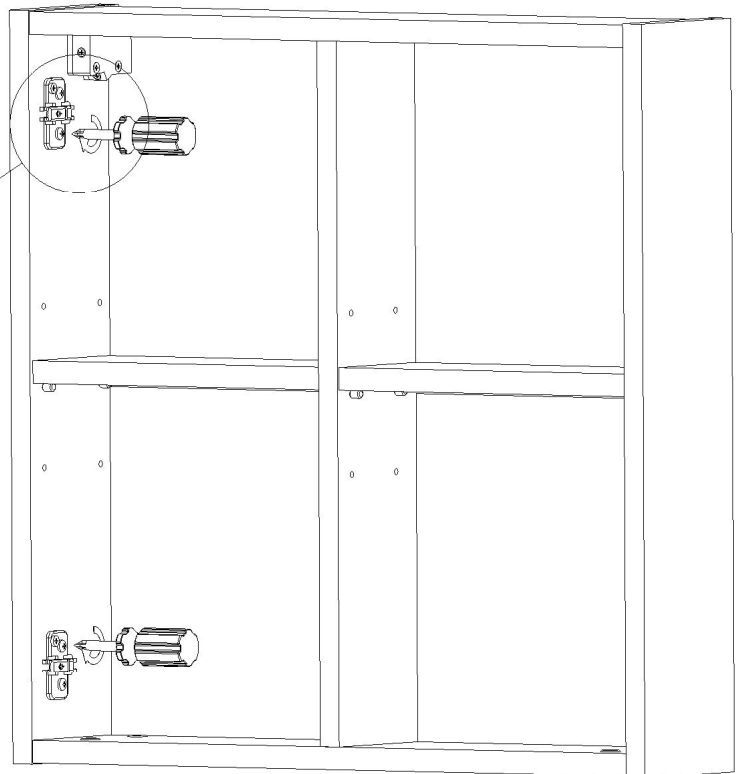
# STEP 17



# STEP 18

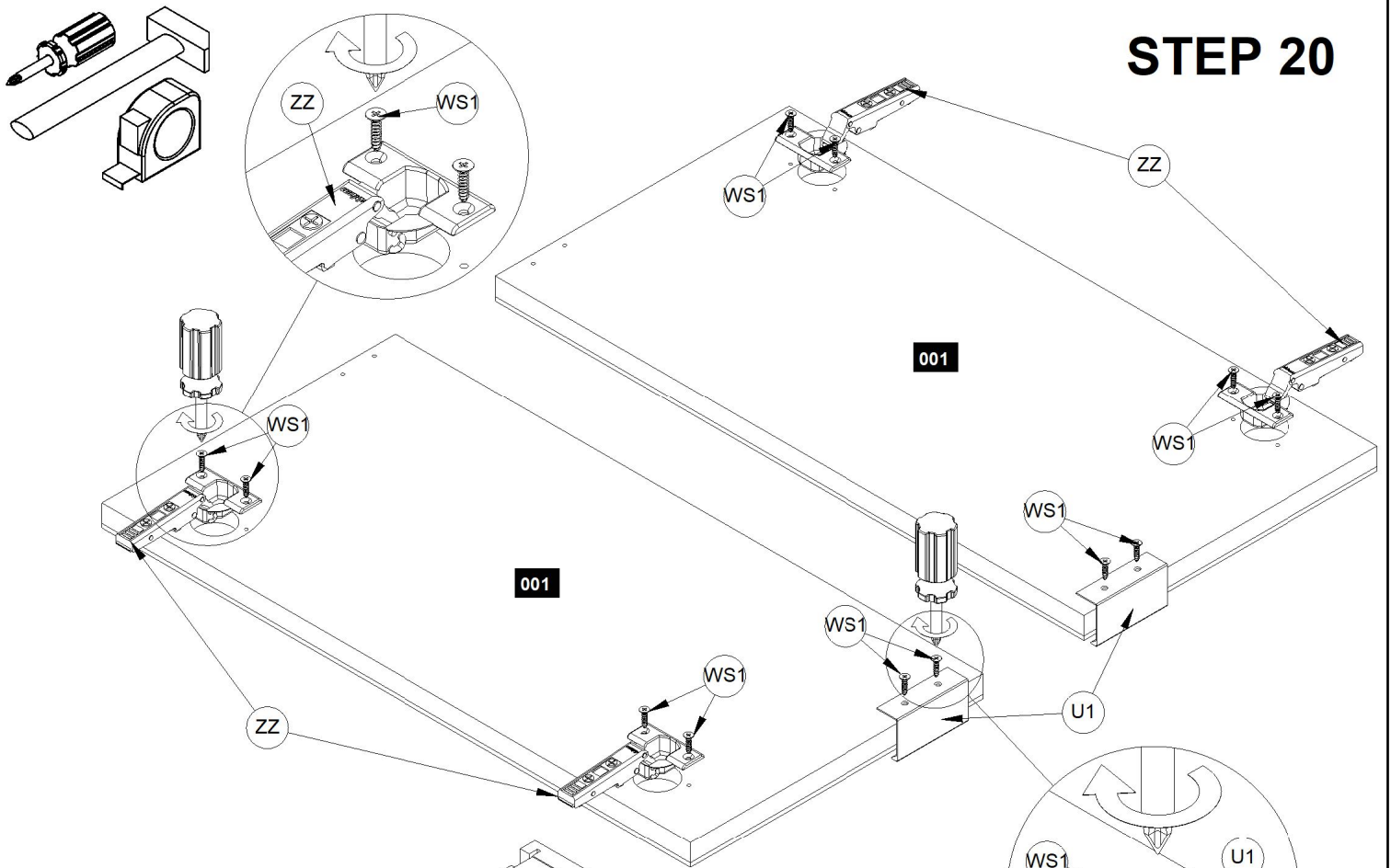


# STEP 19

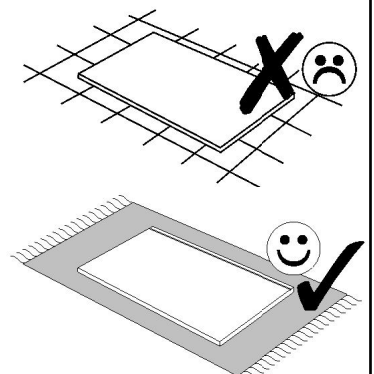
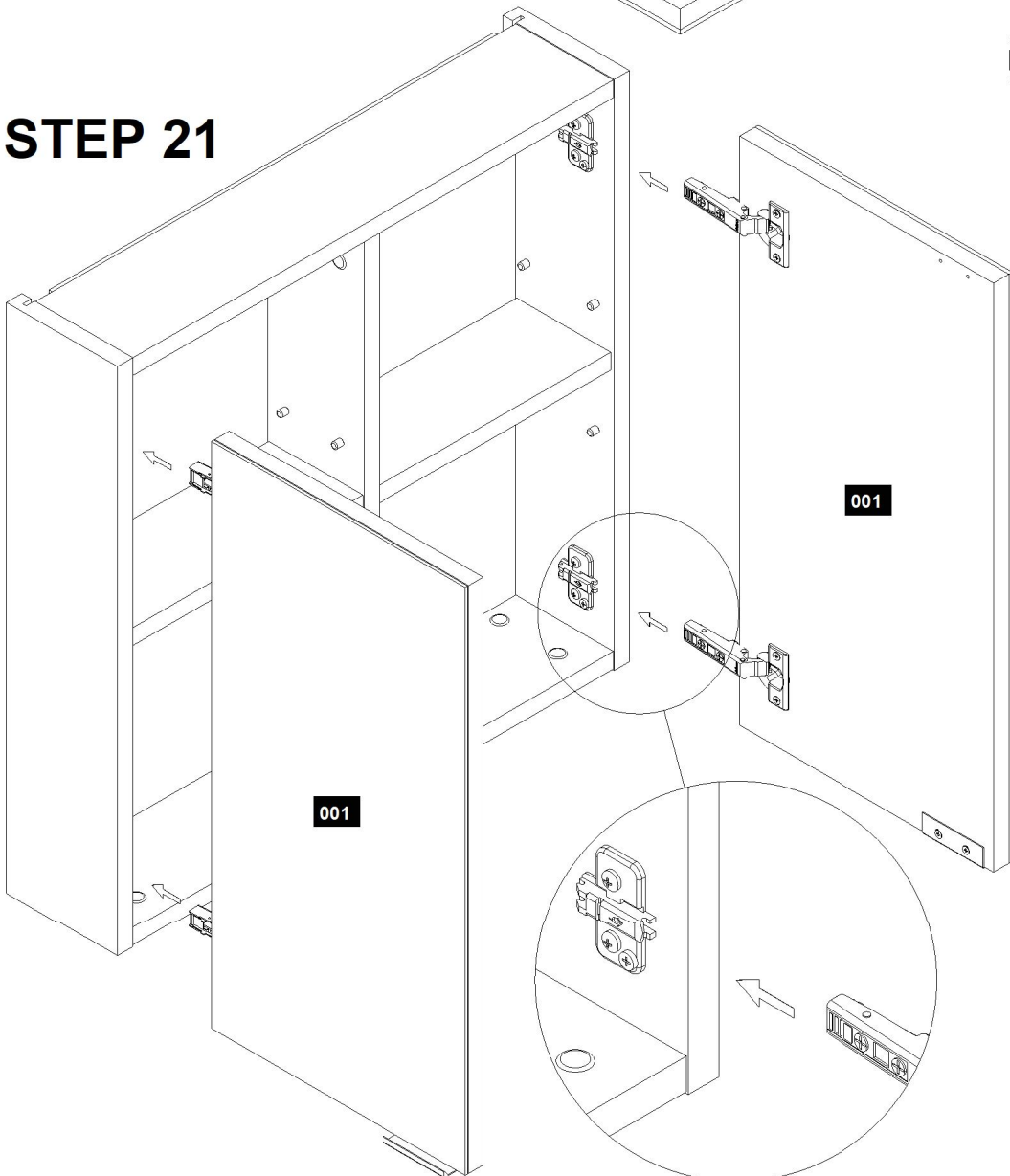




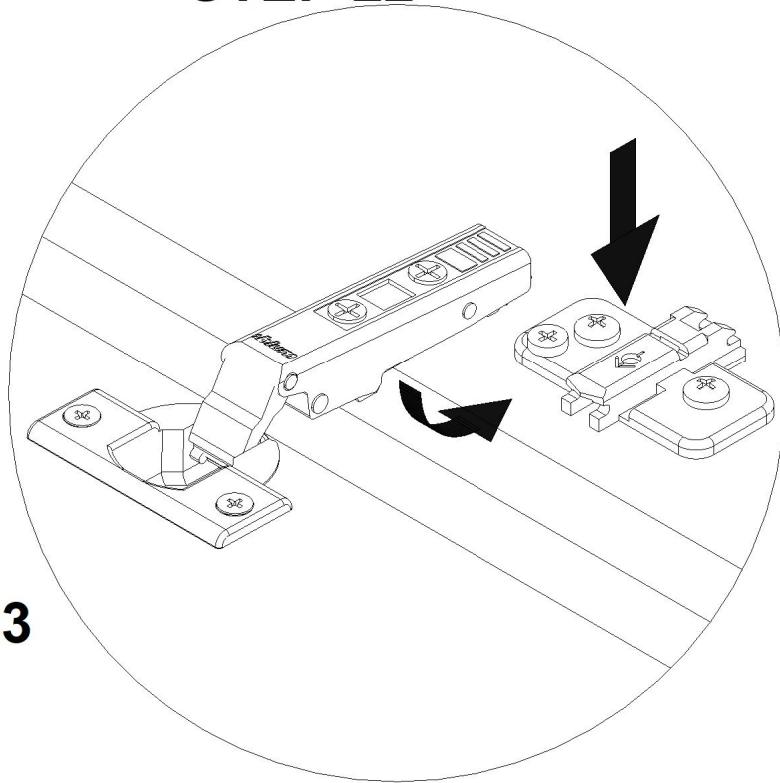
# STEP 20



# STEP 21



# STEP 22



# STEP 23

