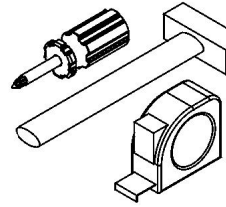
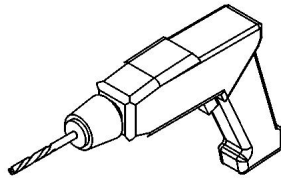
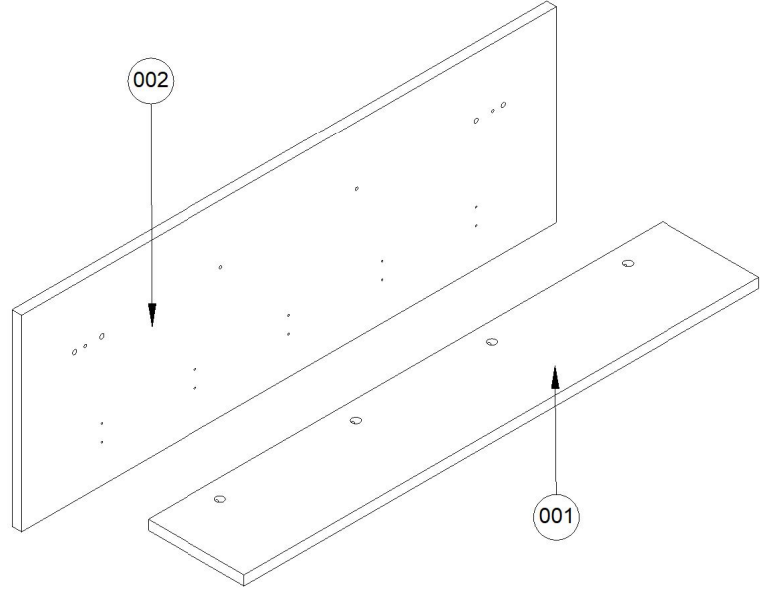
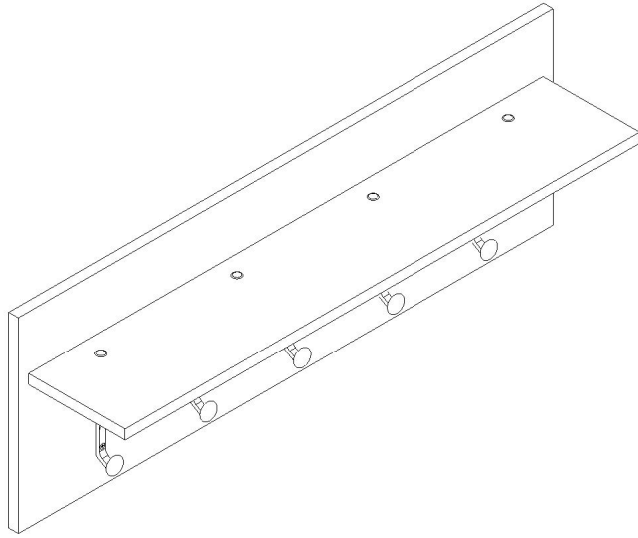
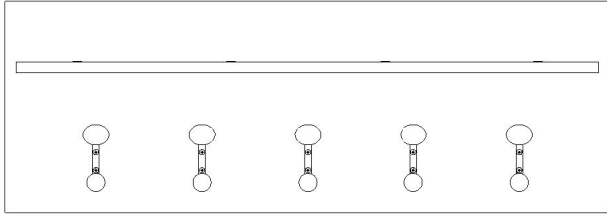


- 45 min.

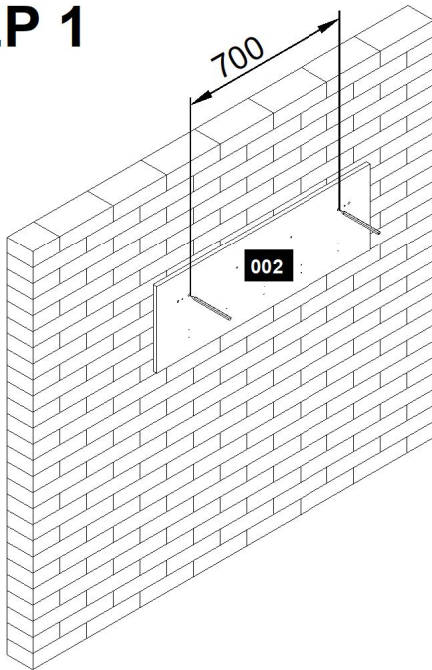


WP100

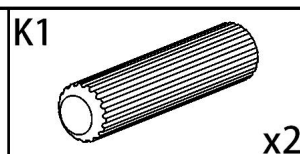
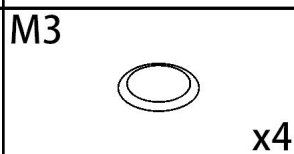
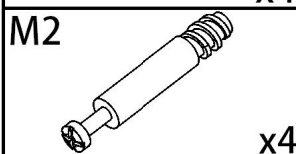
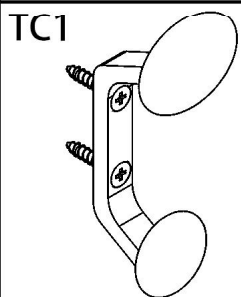
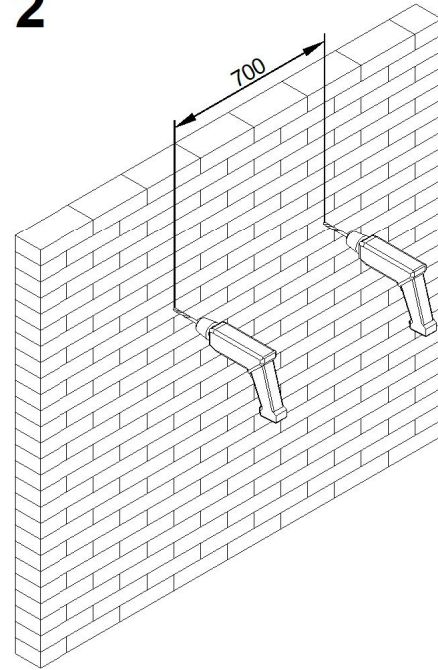


Number	Qty	Size A	Size B
001	1	180	962
002	1	350	1000

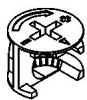
STEP 1



STEP 2

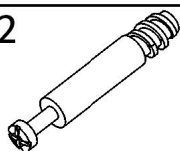


M1



x4

M2



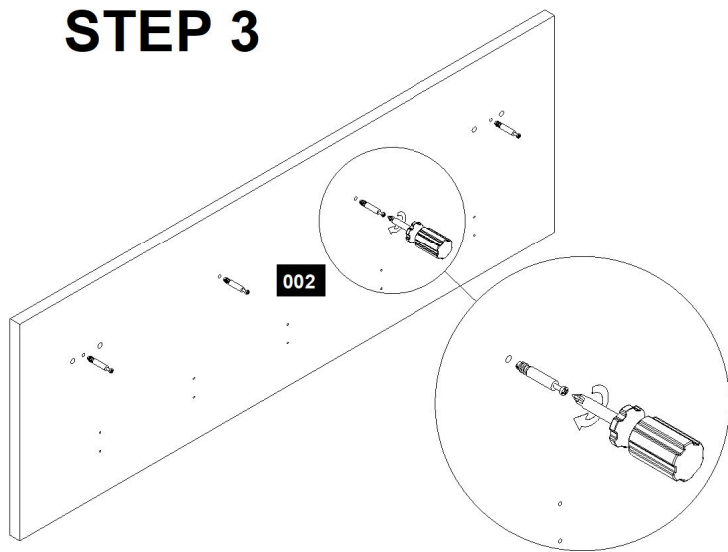
x4

M3

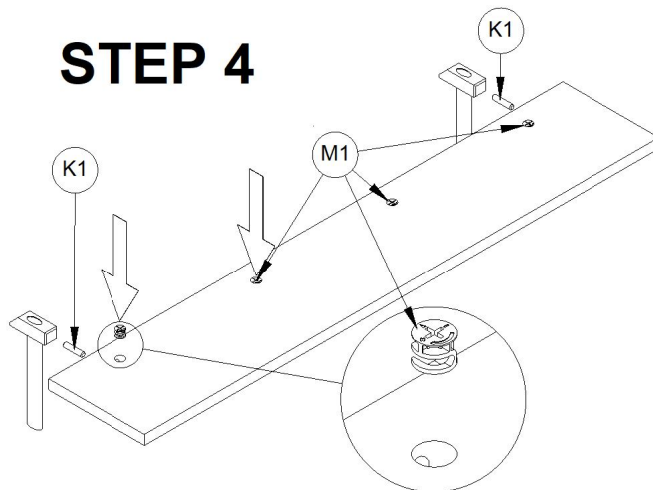


x4

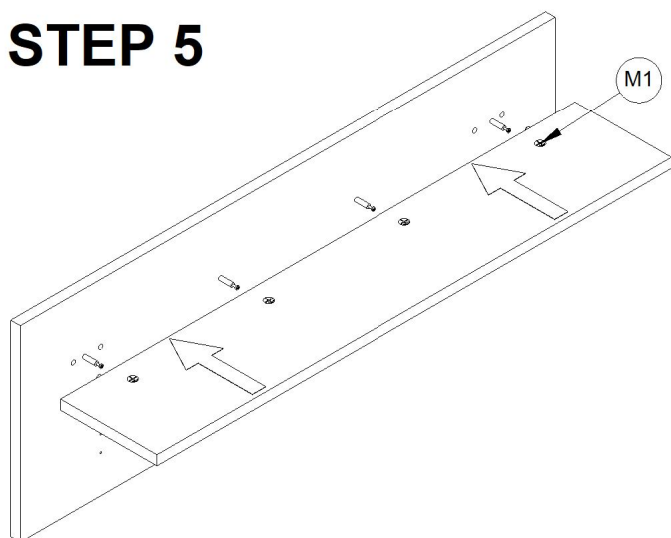
STEP 3



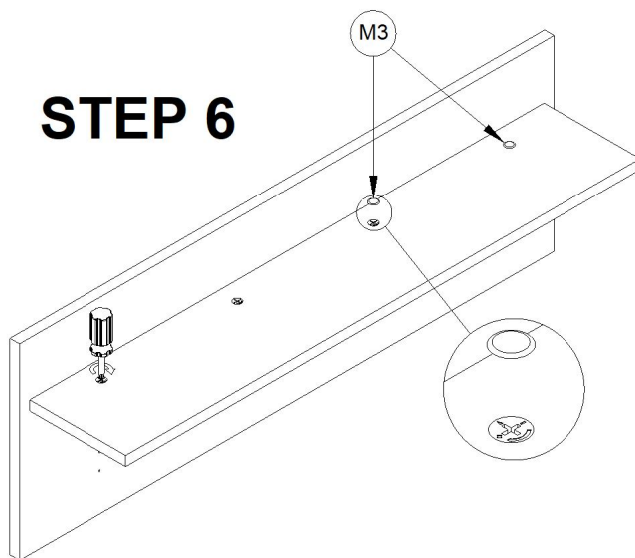
STEP 4



STEP 5



STEP 6



STEP 7

