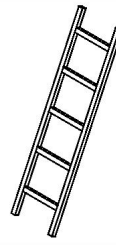
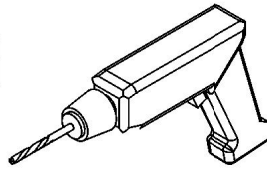
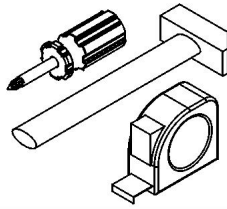
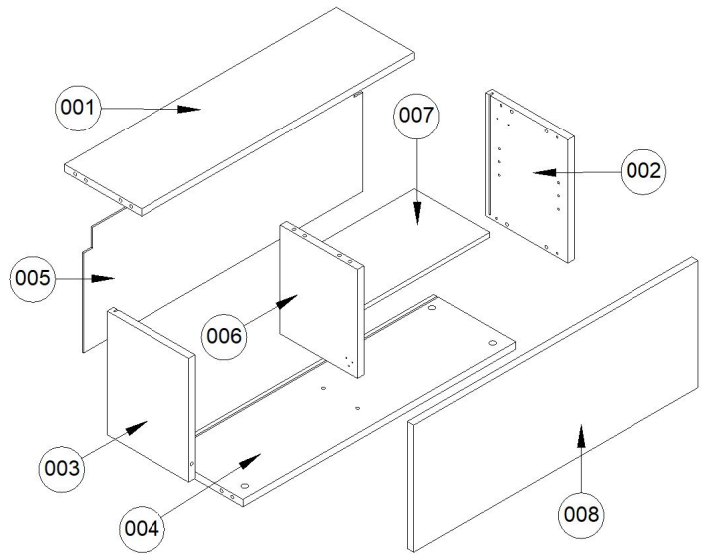
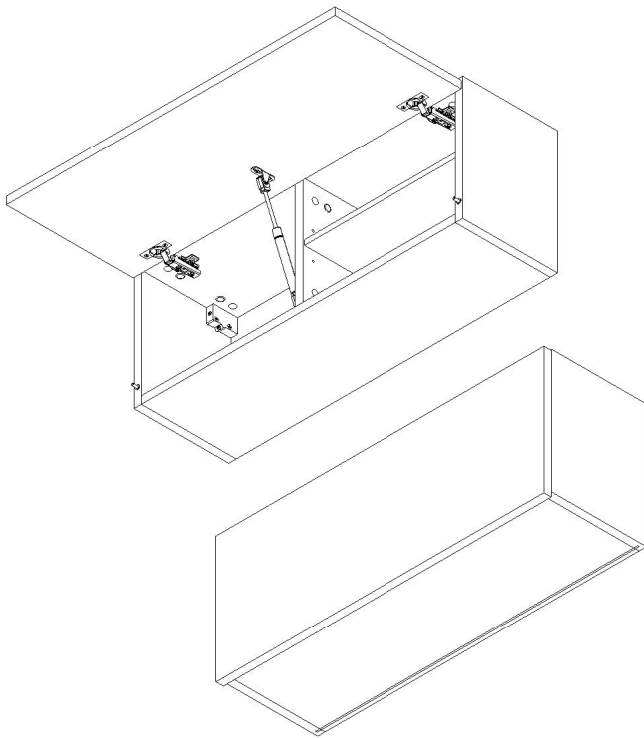


- 45 min.



SZL60-300 SZL80-300

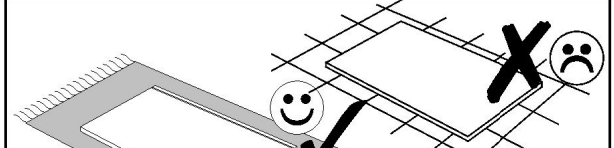
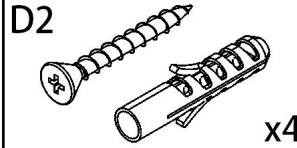
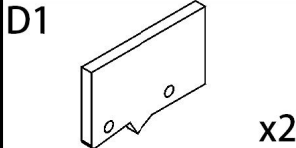
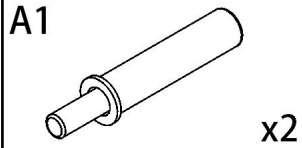
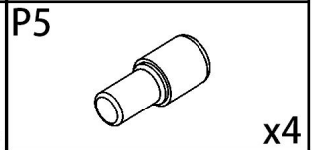
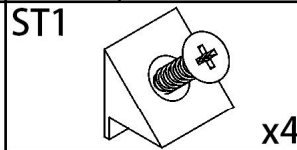
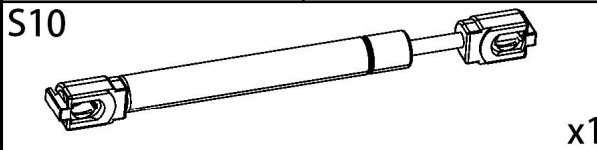
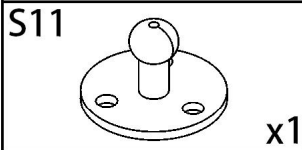
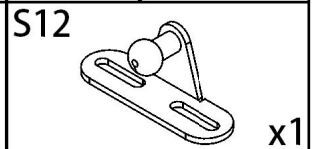
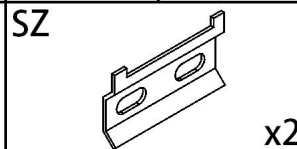
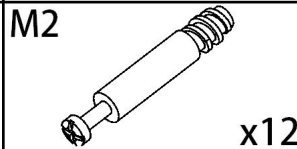
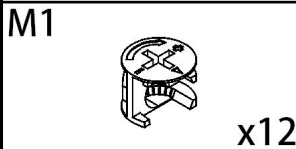
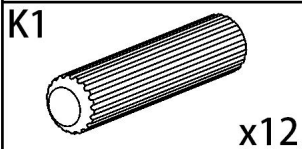
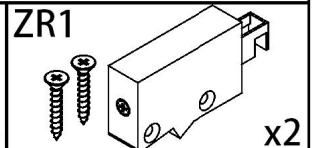
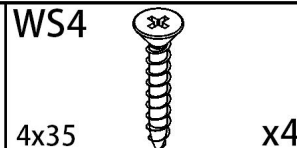
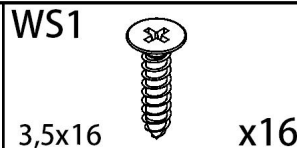
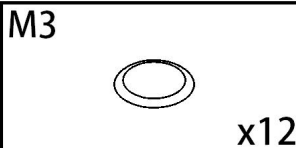
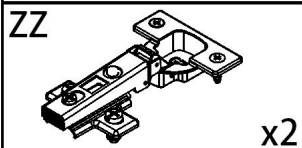


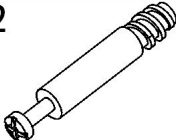
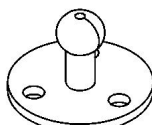
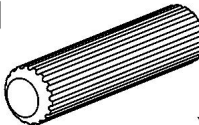

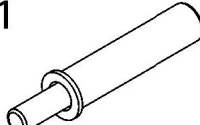
SZL60-300

Number	Qty	Size A	Size B
001	1	564	217
002	1	300	230
003	1	300	230
004	1	564	230
005	1	292	584
006	1	264	216
007	1	273	212
008	1	308	598

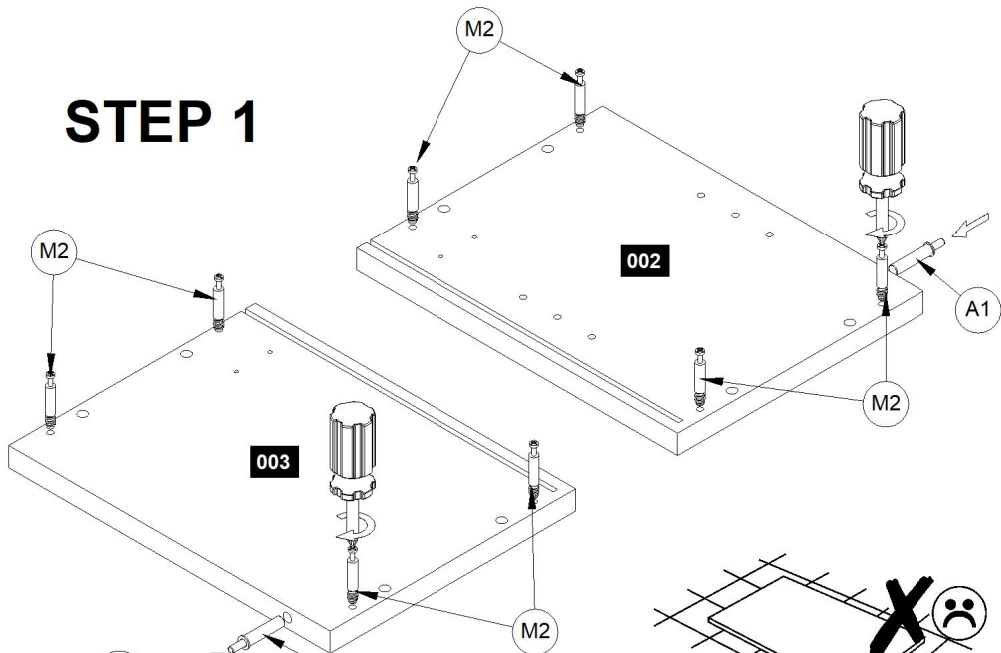
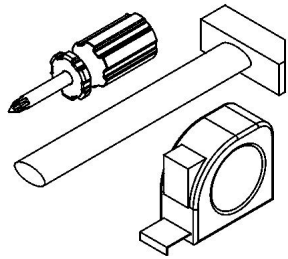
SZL80-300

Number	Qty	Size A	Size B
001	1	764	220
002	1	300	235
003	1	300	235
004	1	761	233
005	1	288	781
006	1	261	218
007	1	373	212
008	1	308	798

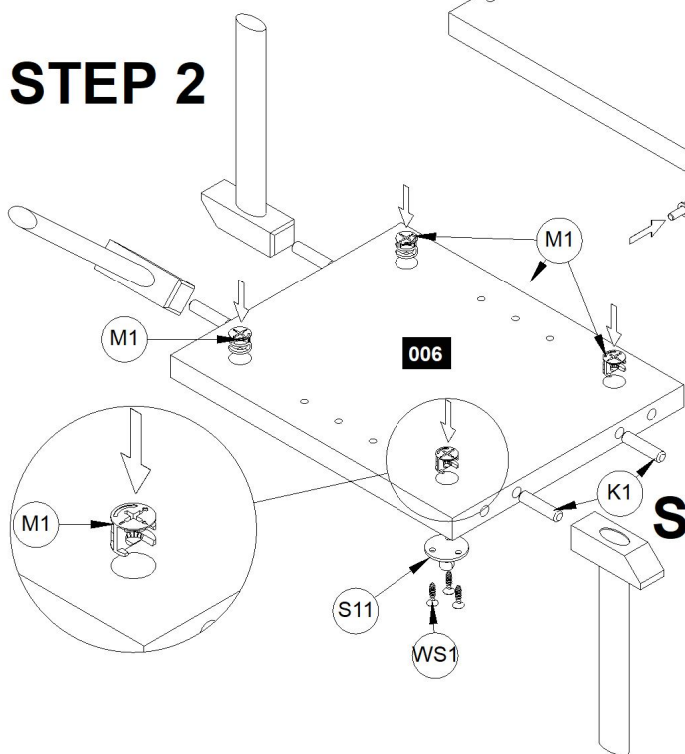


M2  x12	S11  x1	K1  x12	WS1  3,5x16 x16	A1  x2
--	---	---	--	--

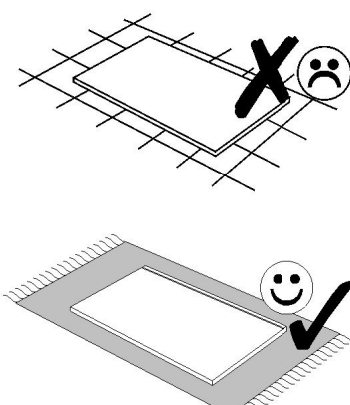
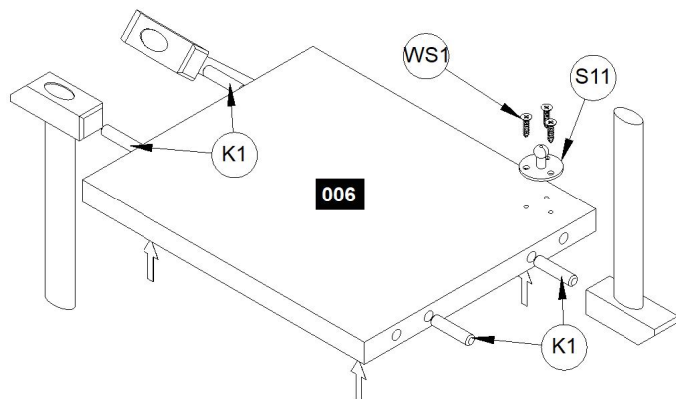
STEP 1



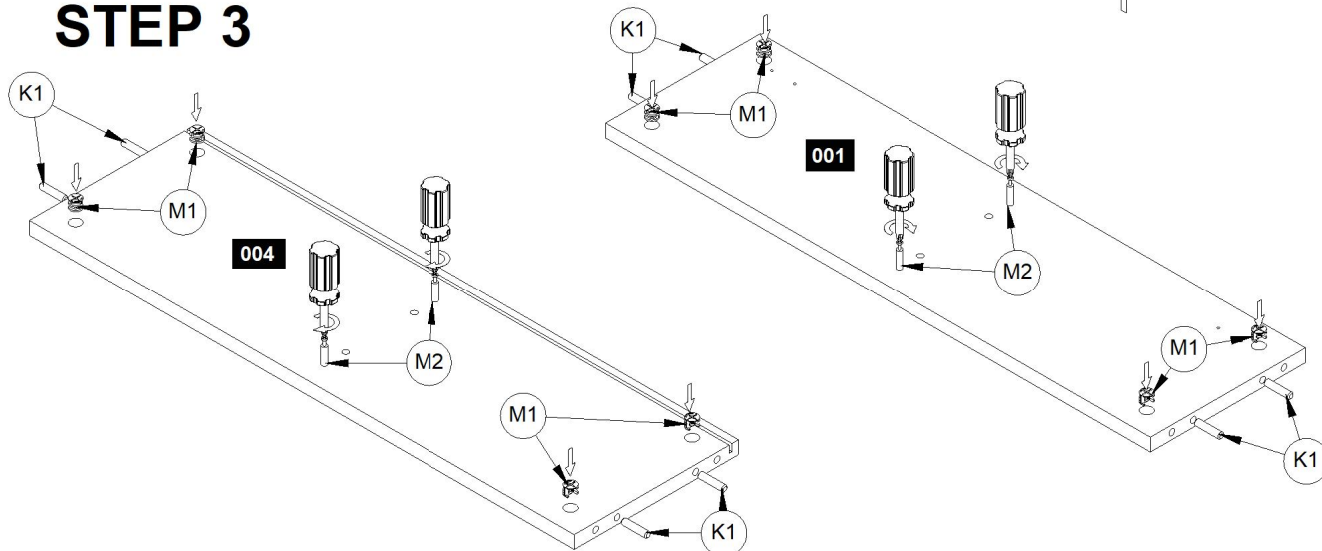
STEP 2


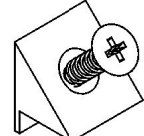
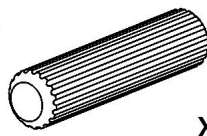

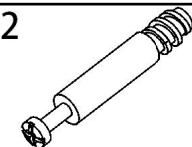
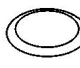
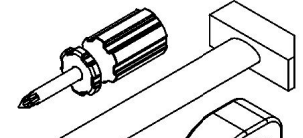


STEP 180°

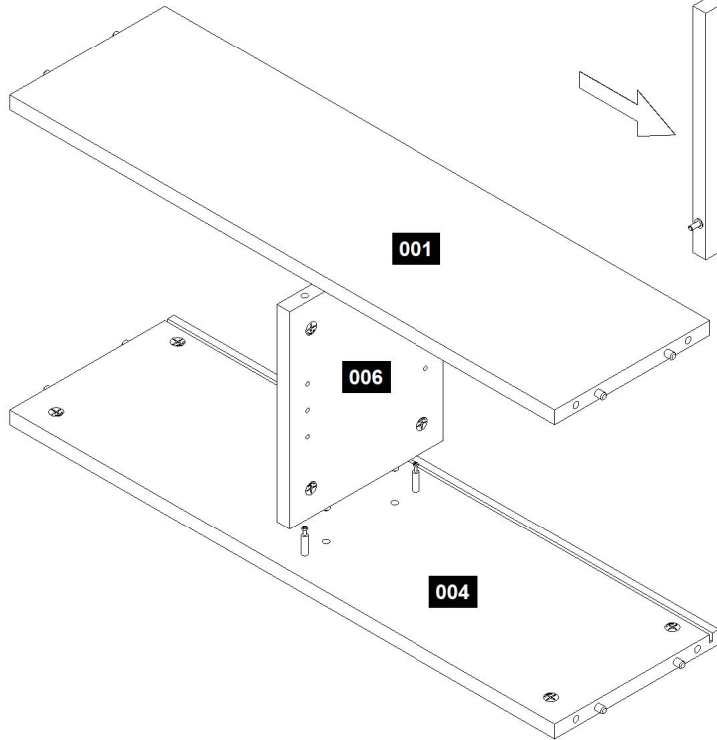


STEP 3

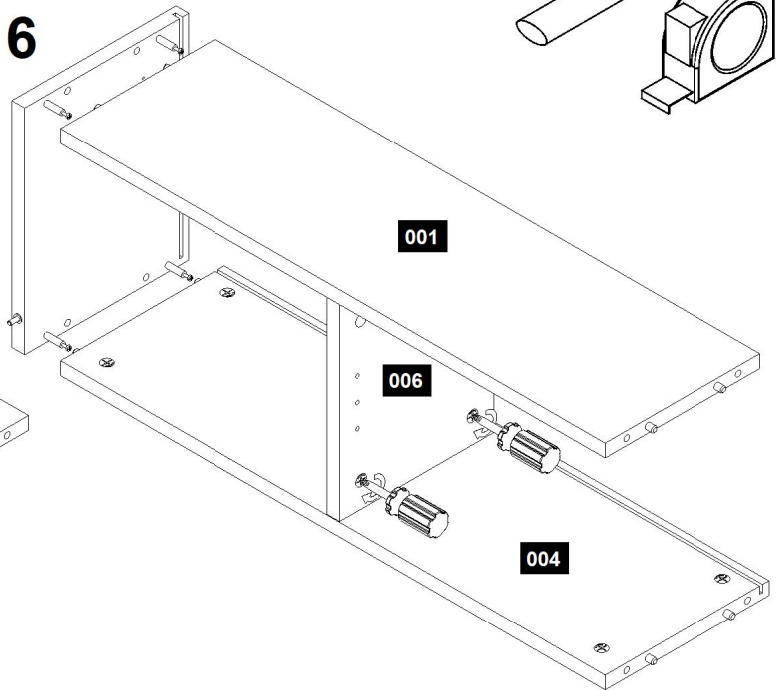


WS1  3,5x16 x16	ST1  x4	K1  x12	M1  x12	M2  x12
M3  x12				

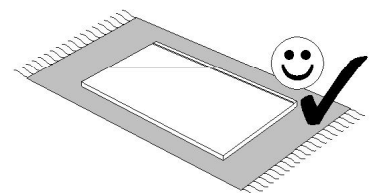
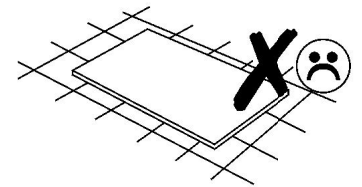
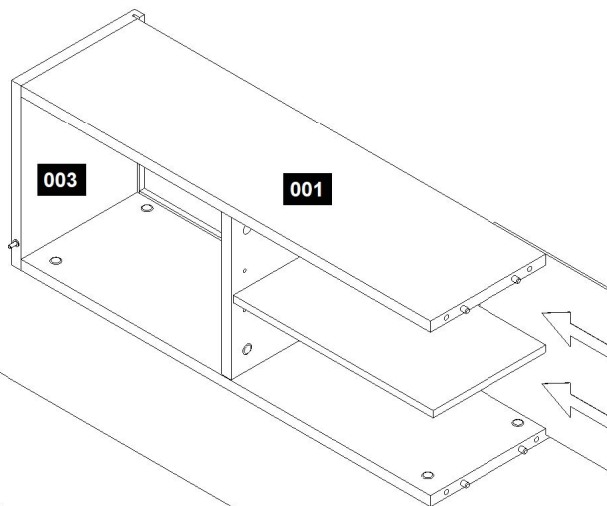
STEP 5



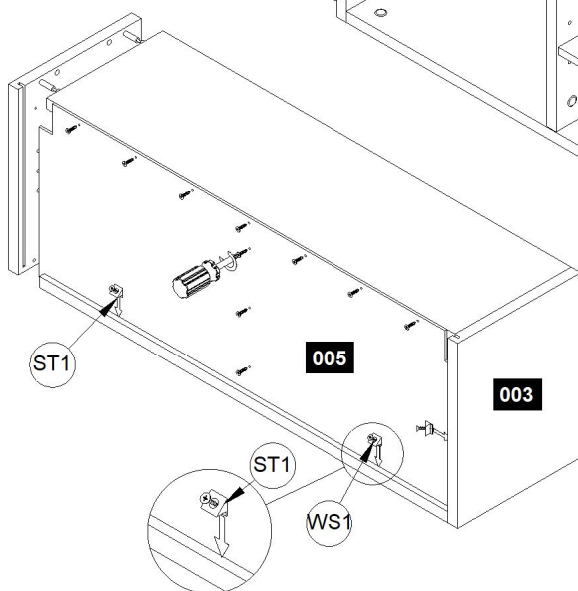
STEP 6

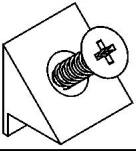
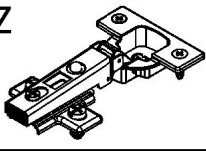

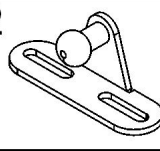
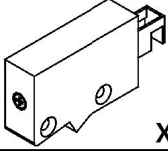
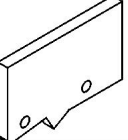



STEP 7

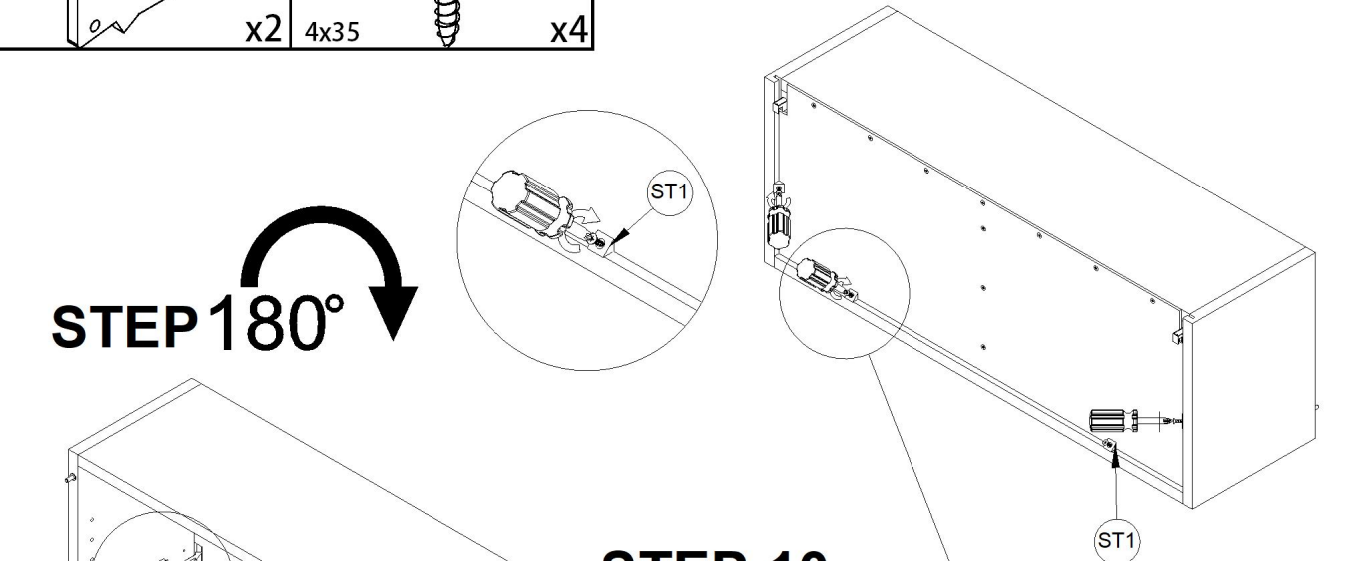


STEP 8

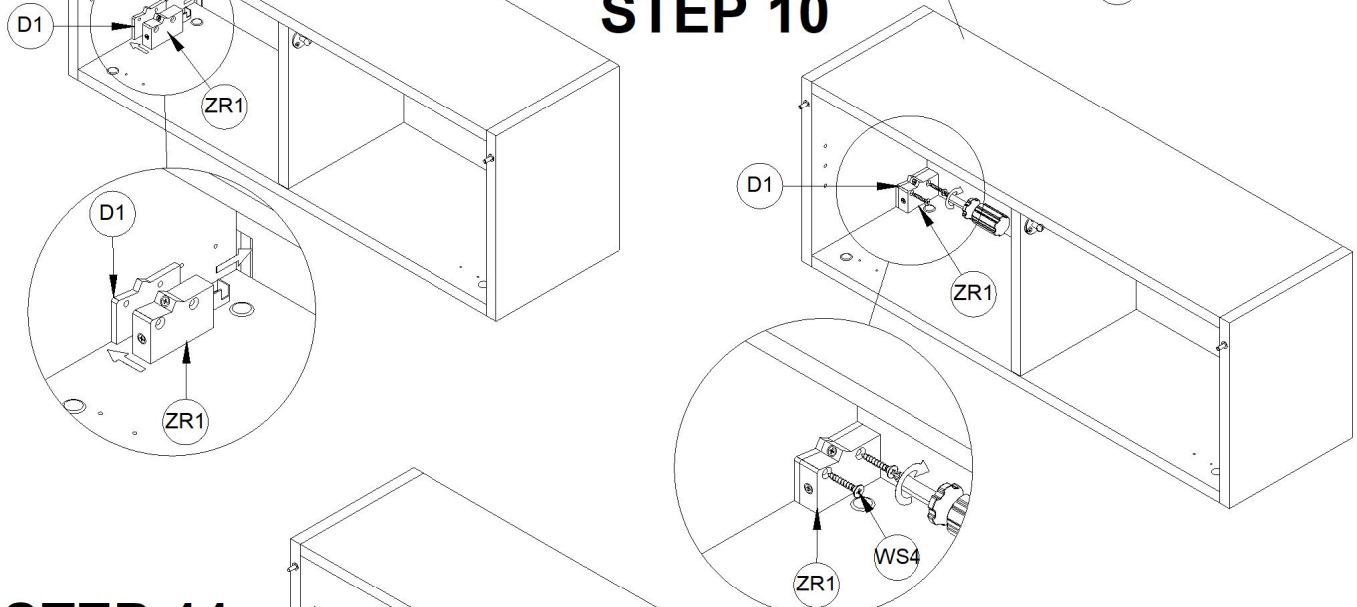


ST1  x4	ZZ  x2	WS1  3,5x16 x16	S12  x1	ZR1  x2
D1  x2	WS4  4x35 x4	STEP 9		

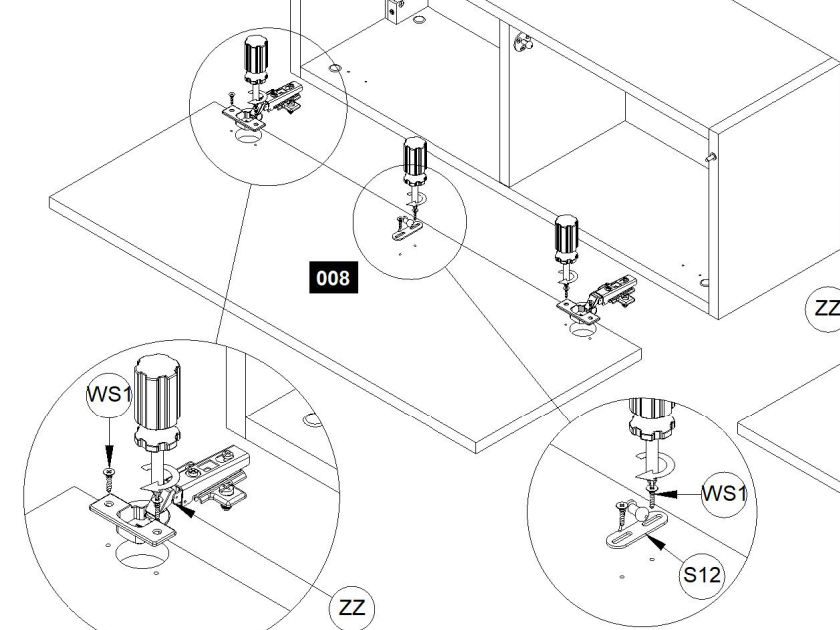
STEP 180°



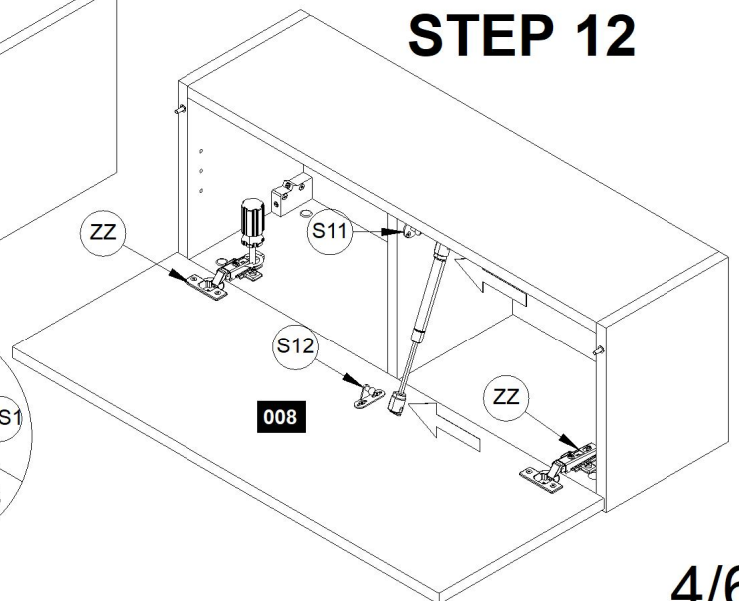
STEP 10



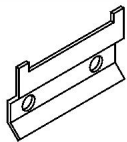
STEP 11



STEP 12

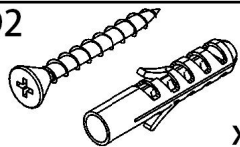


SZ



x2

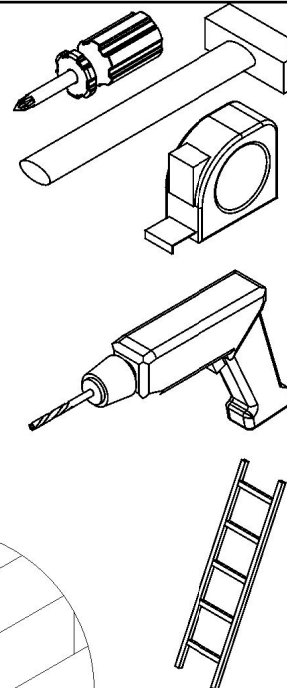
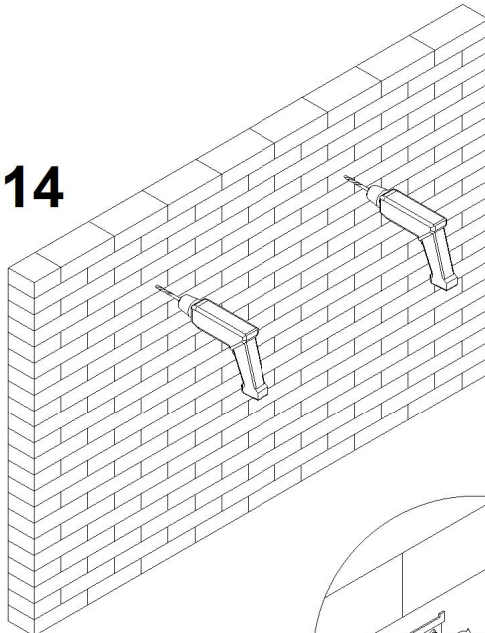
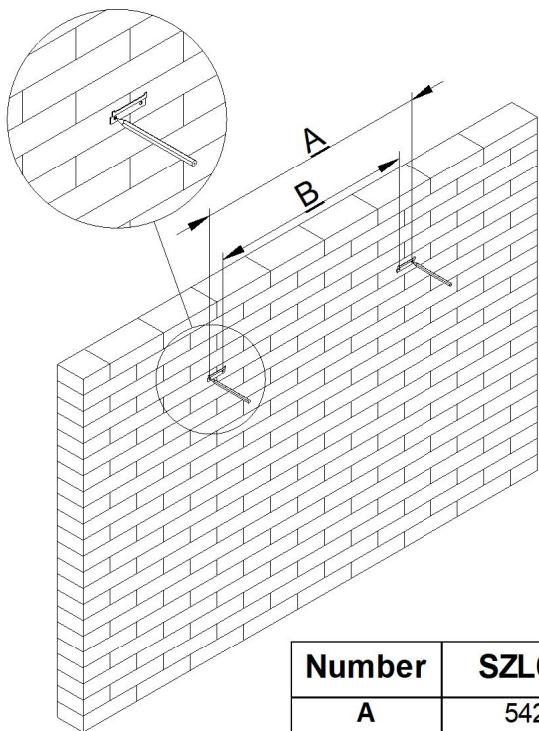
D2



x4

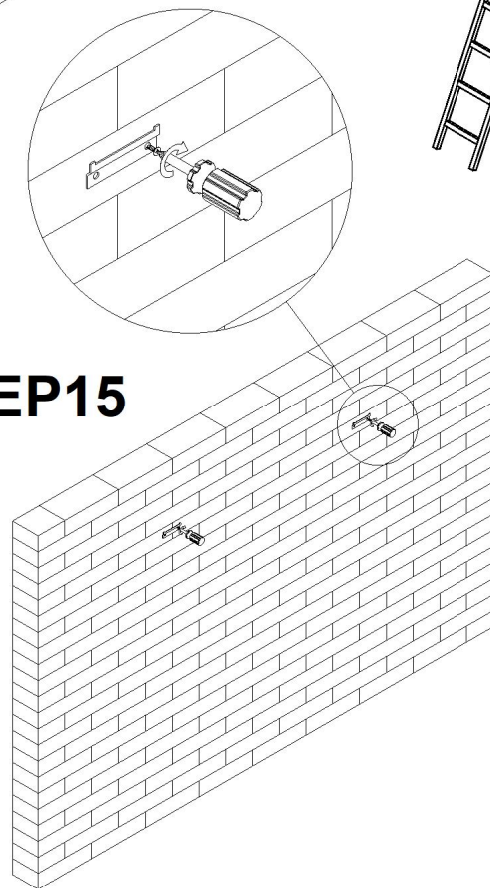
STEP 13

STEP 14



Number	SZL60	SZL80
A	542	742
B	482	682

STEP 15



STEP 16

