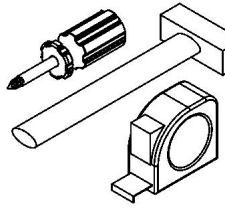
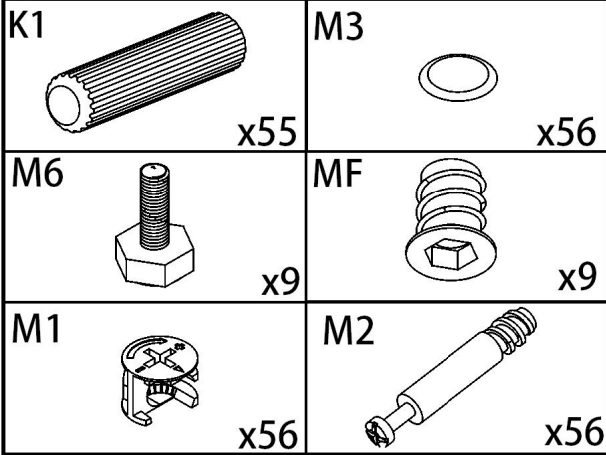


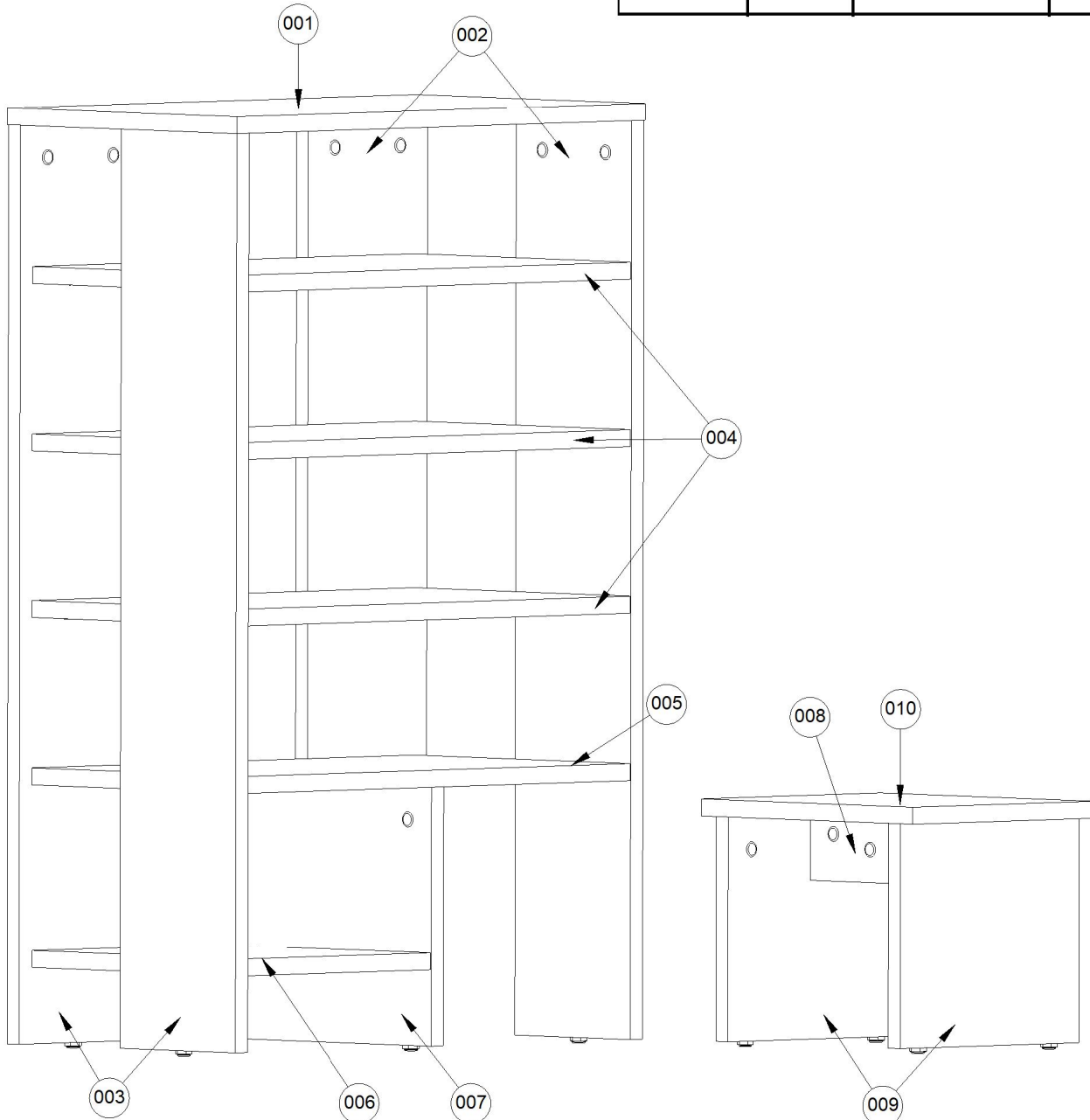
- 60 min.



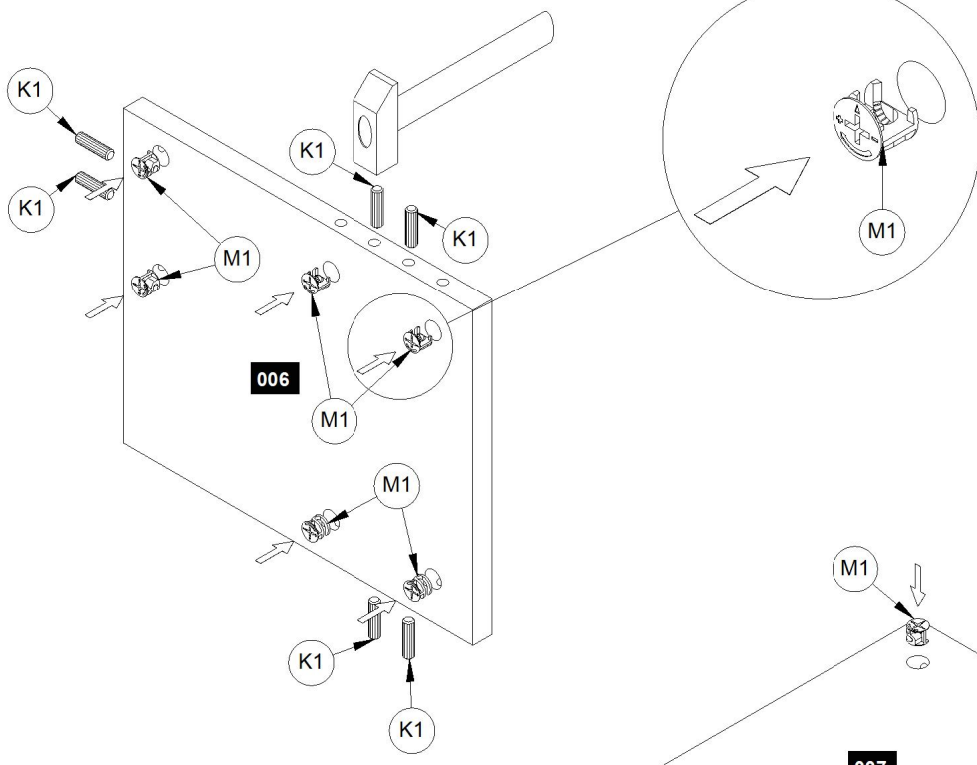
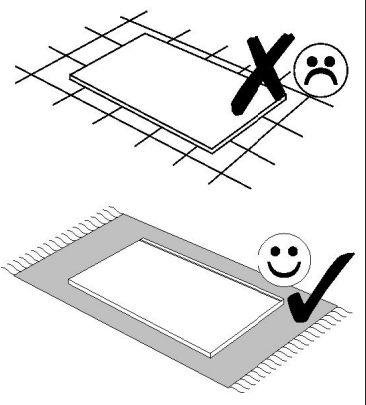
# RB60



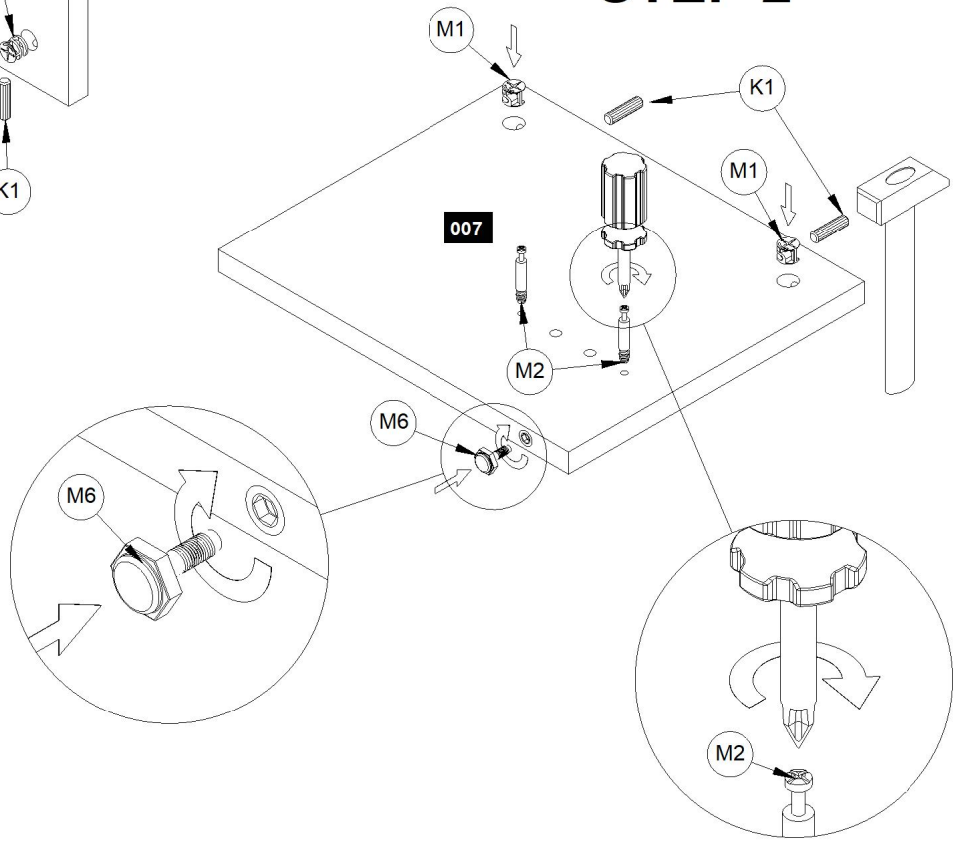
Number	Qty	Size A	Size B
001	1	600	350
002	2	975	176
003	2	975	176
004	3	562	329
005	1	562	329
006	1	271	327
007	1	276	328
008	1	70	246
009	2	240	262
010	1	324	264



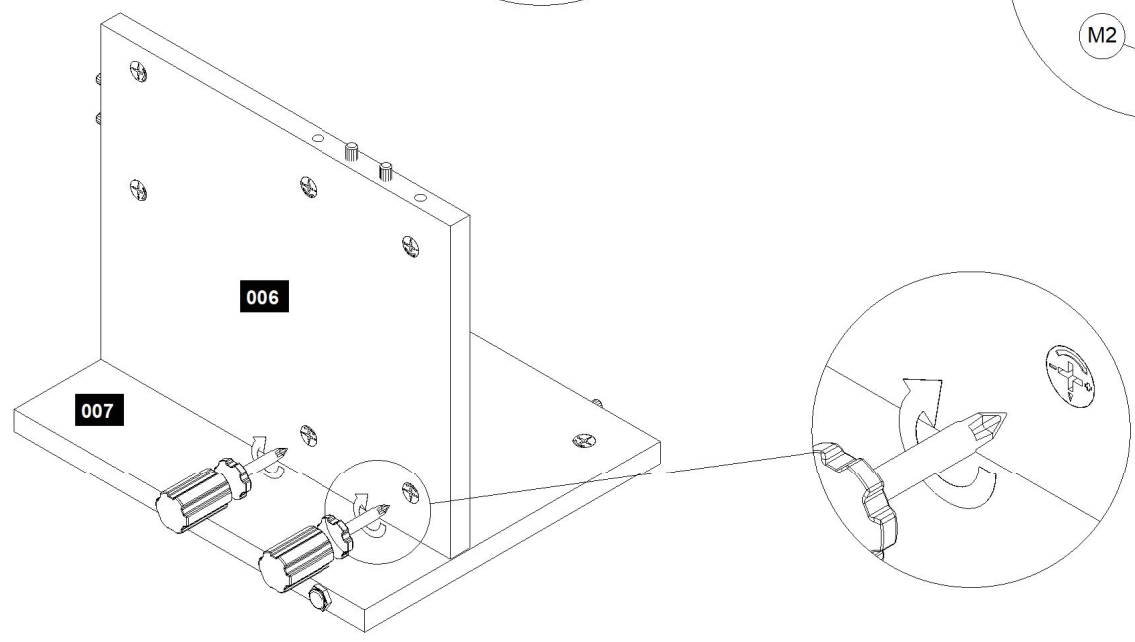
# STEP 1



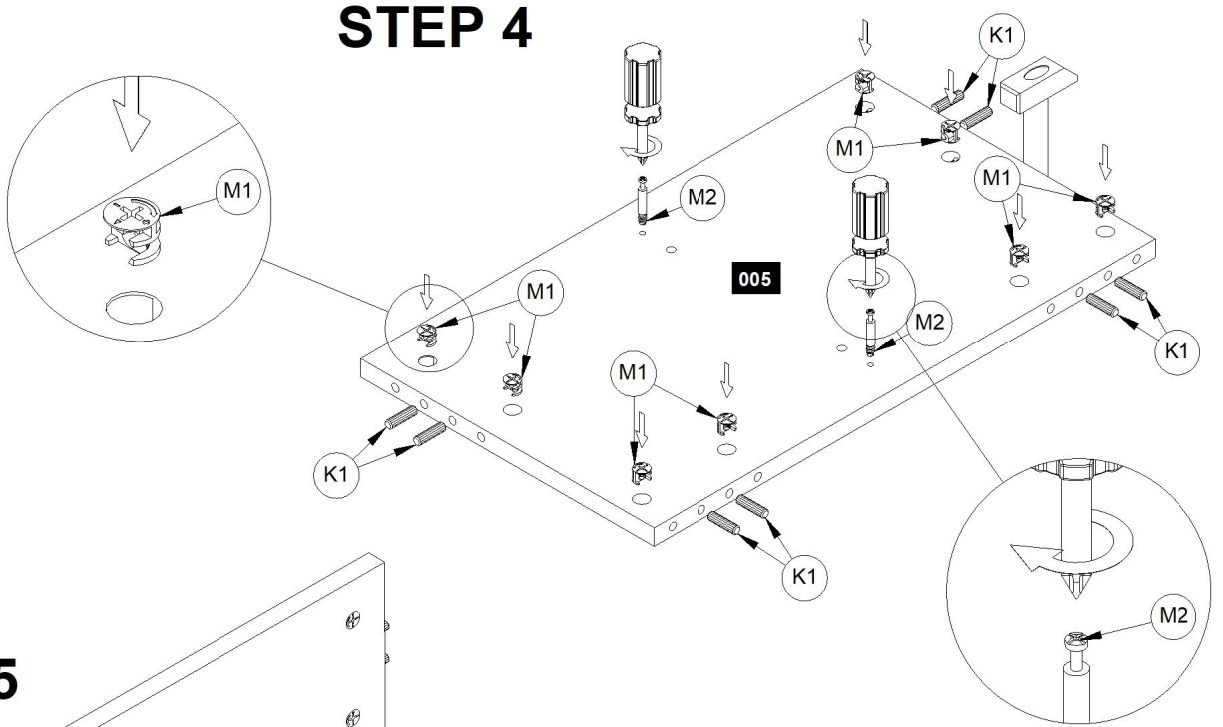
# STEP 2



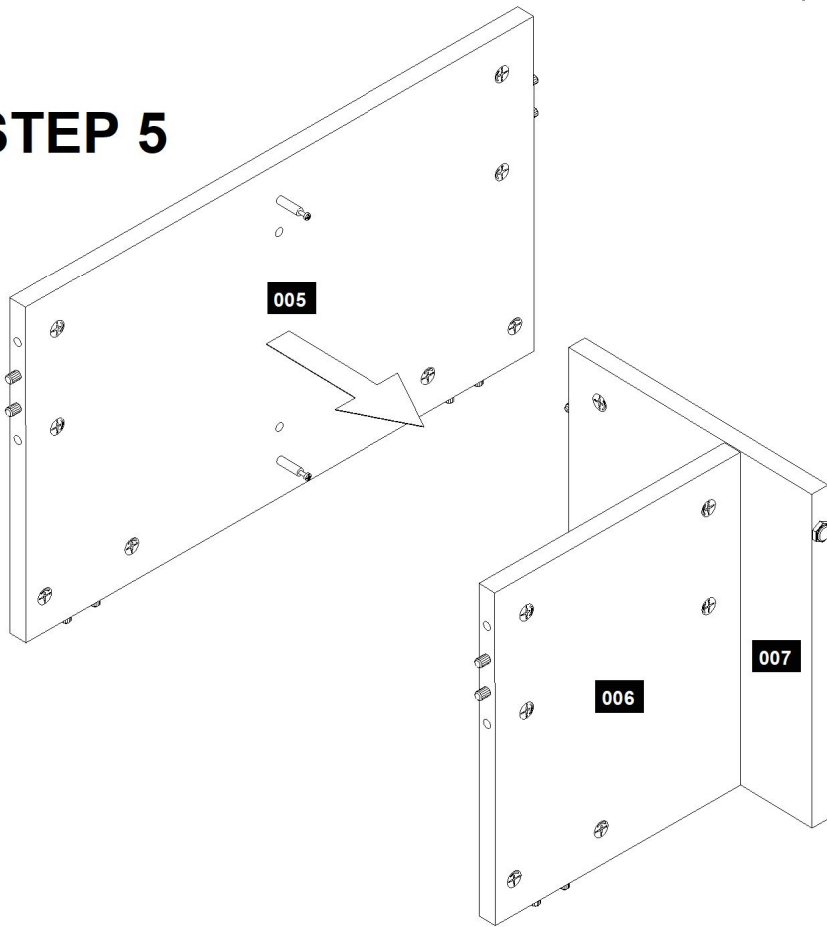
# STEP 3



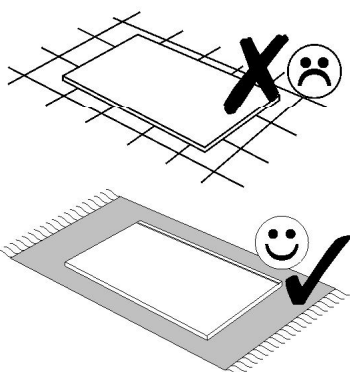
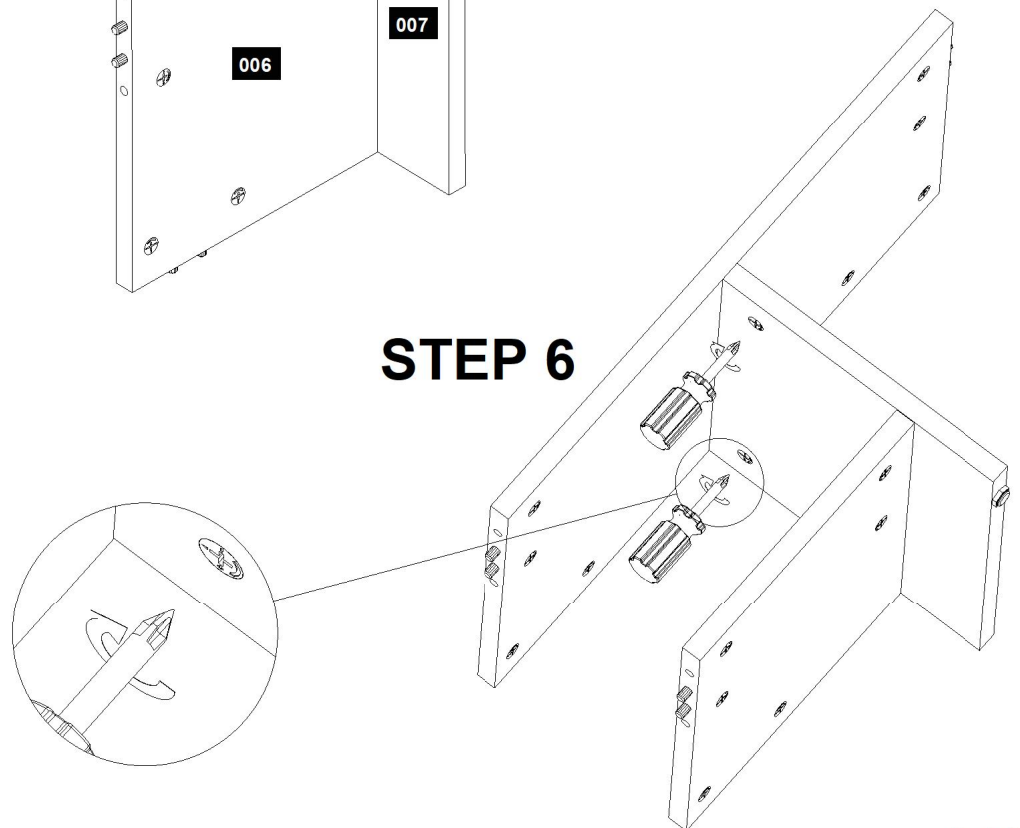
# STEP 4



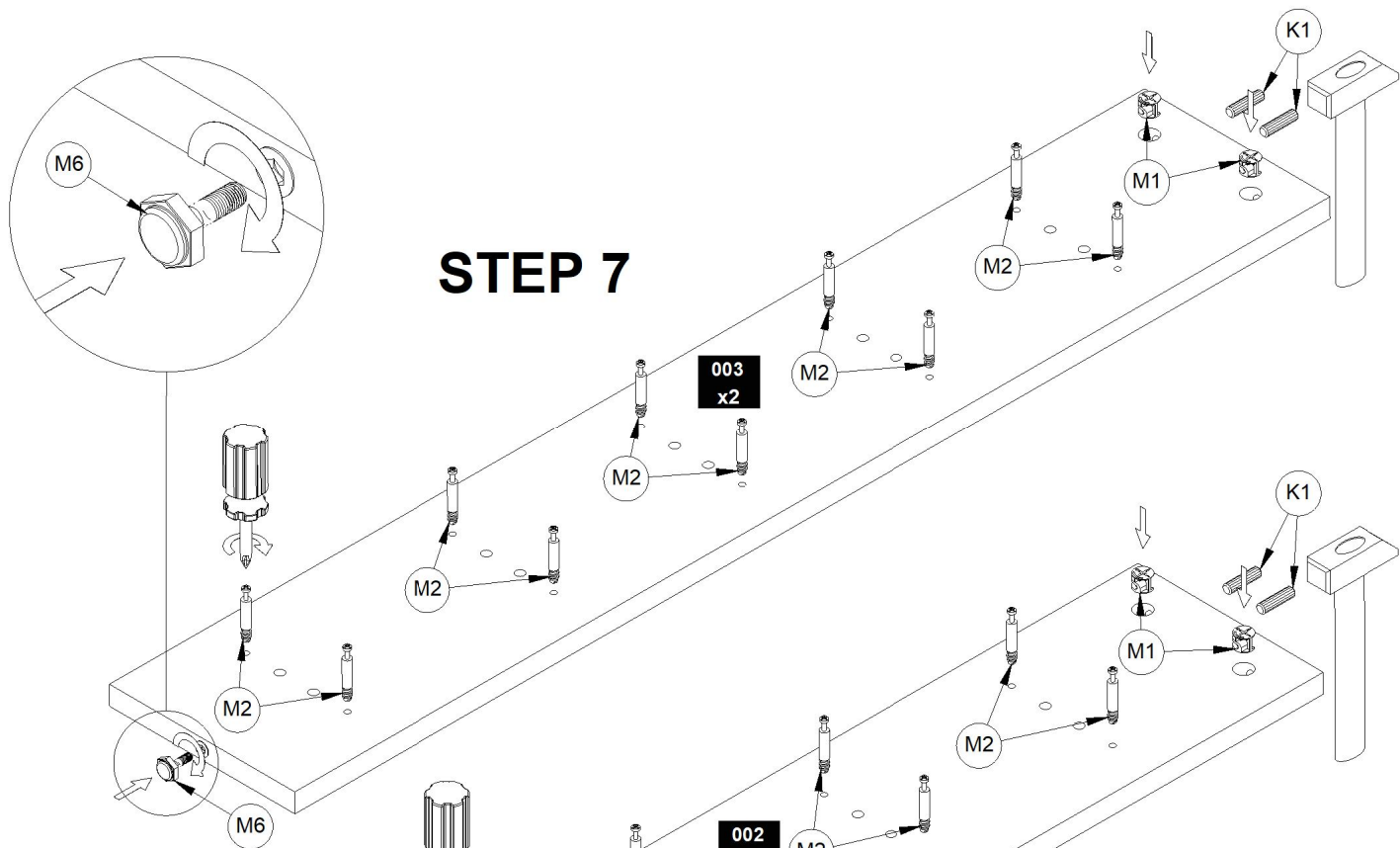
# STEP 5



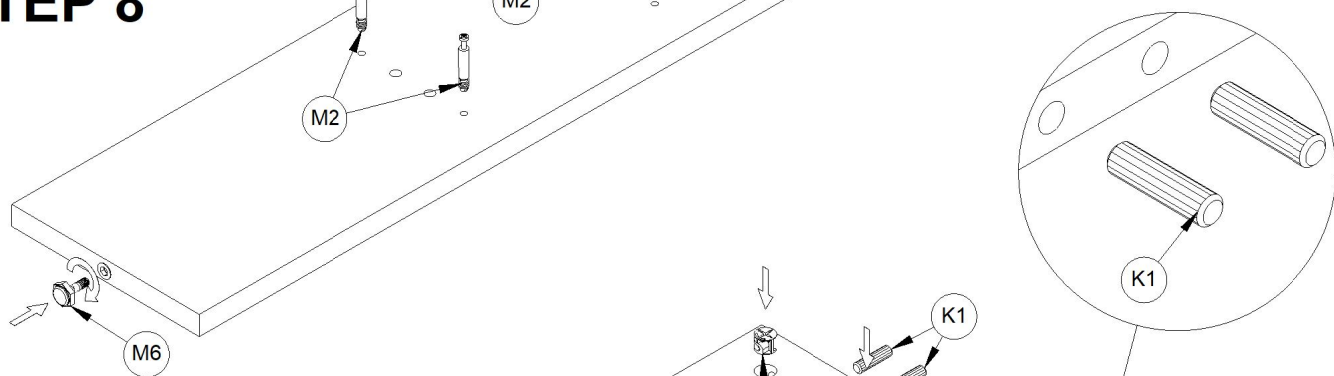
# STEP 6



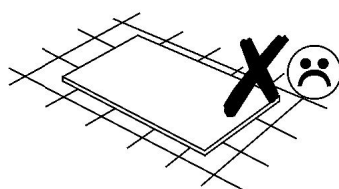
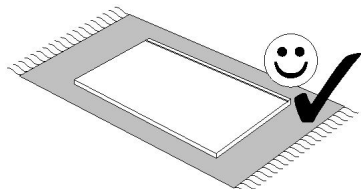
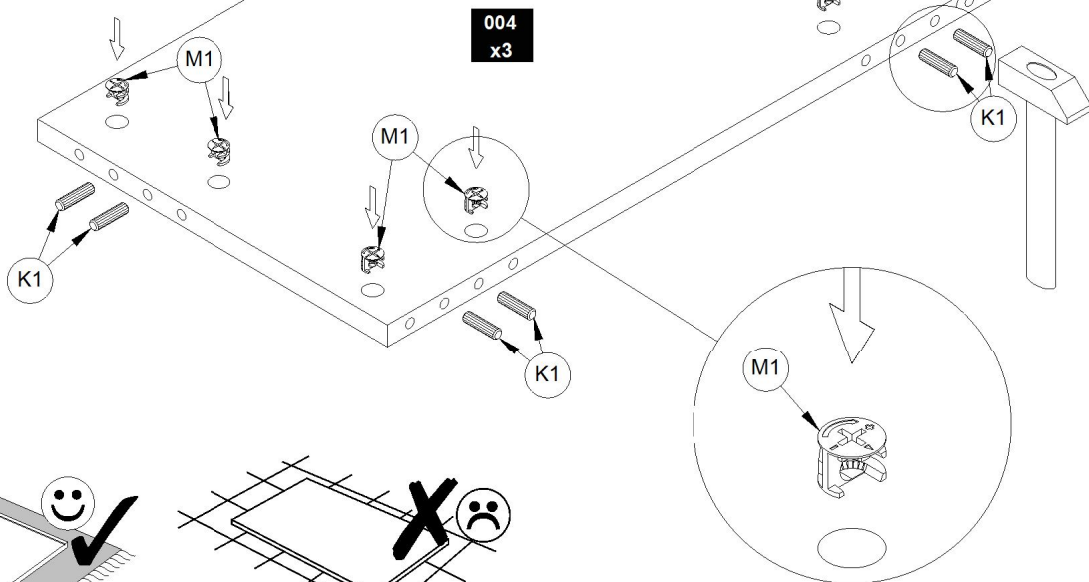
# STEP 7

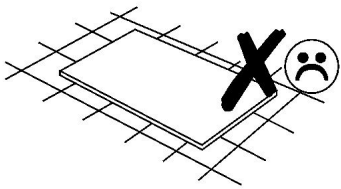


# STEP 8

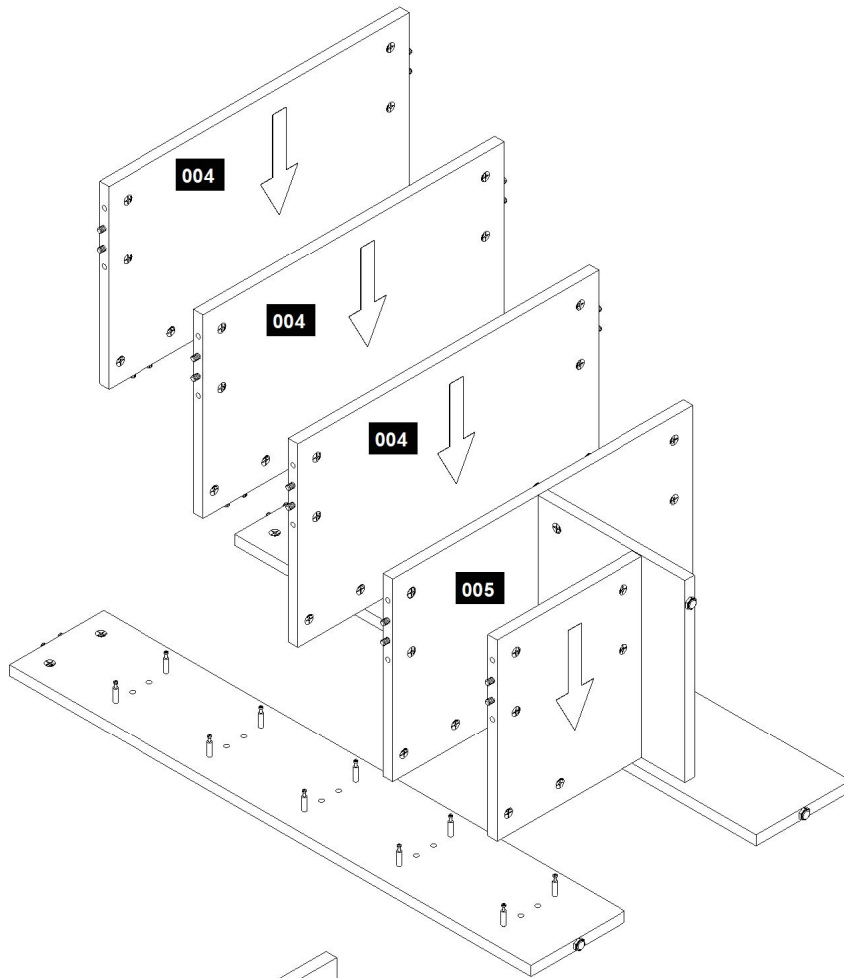


# STEP 9

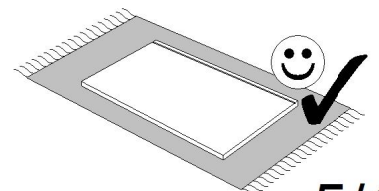
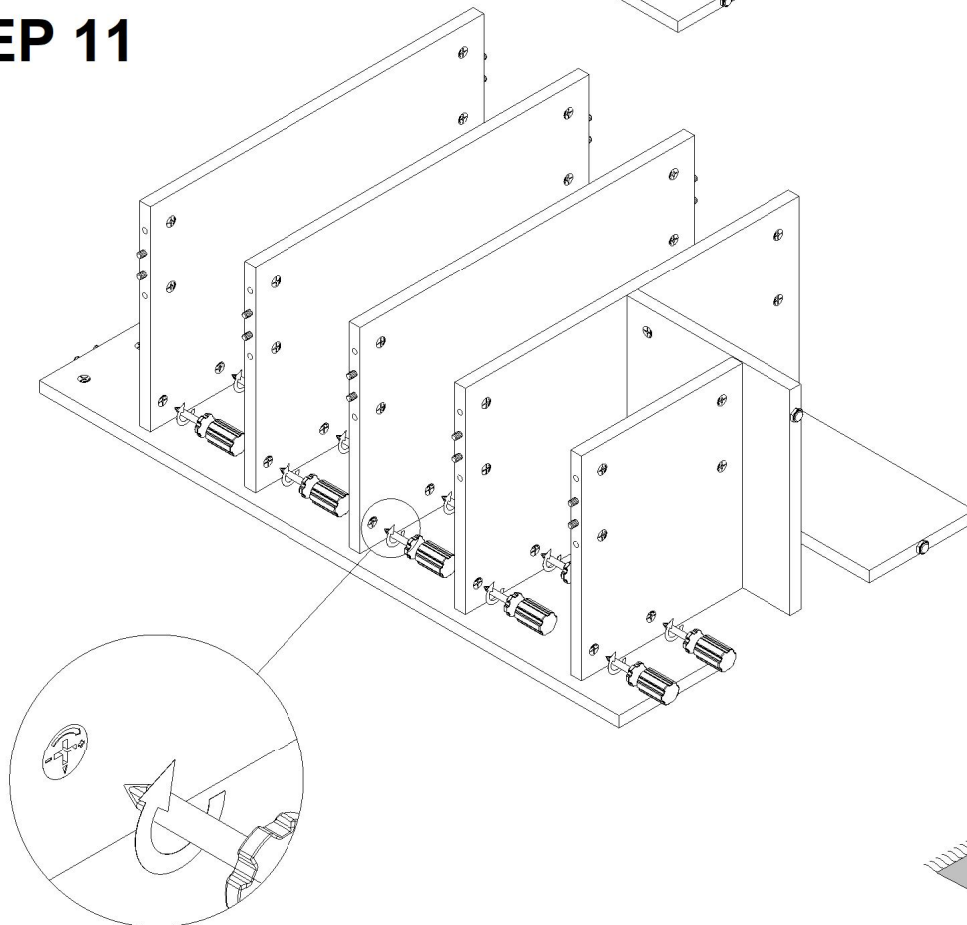




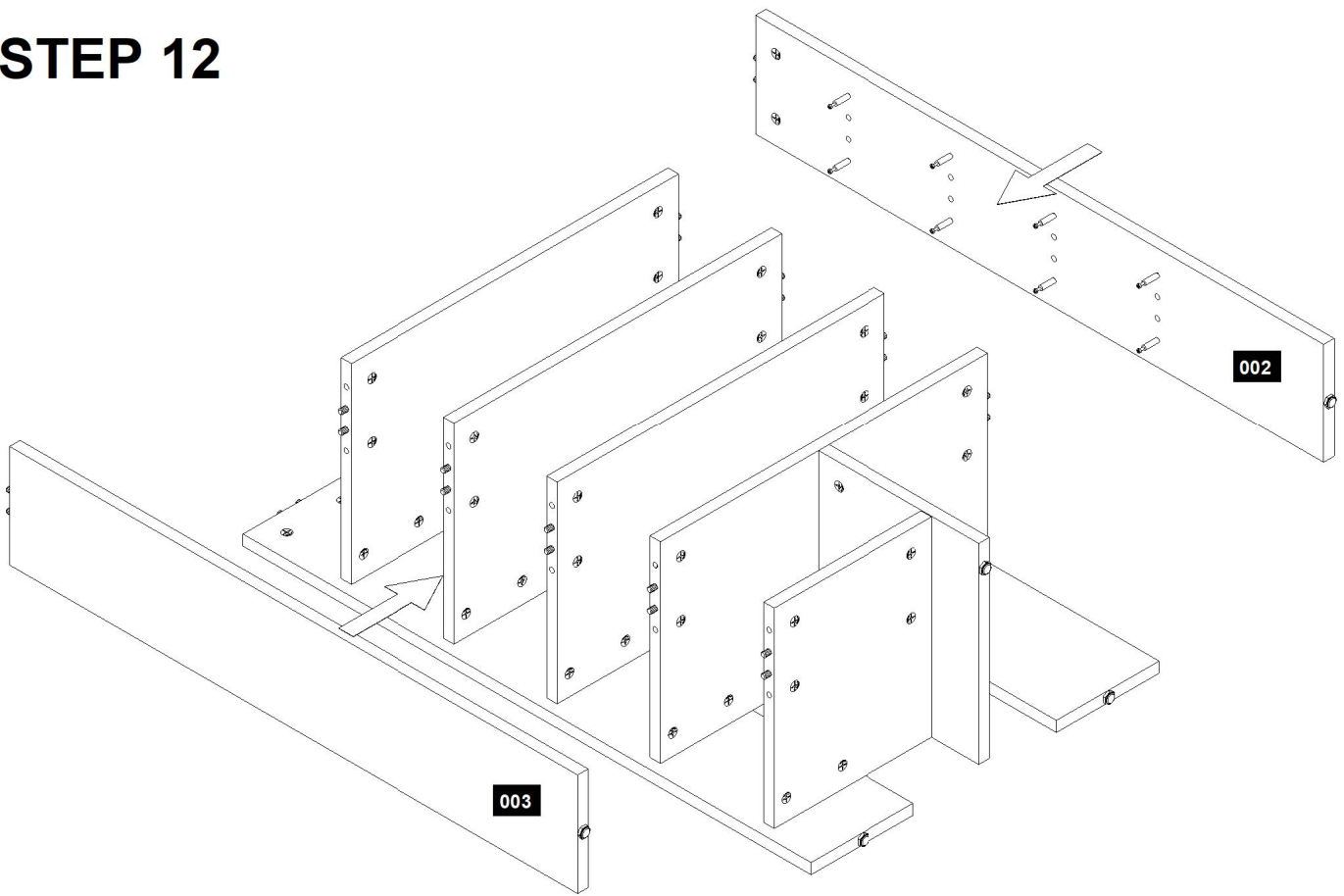
## STEP 10



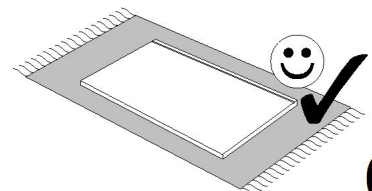
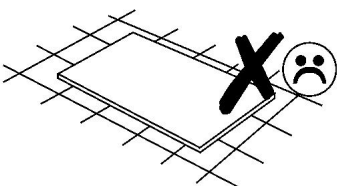
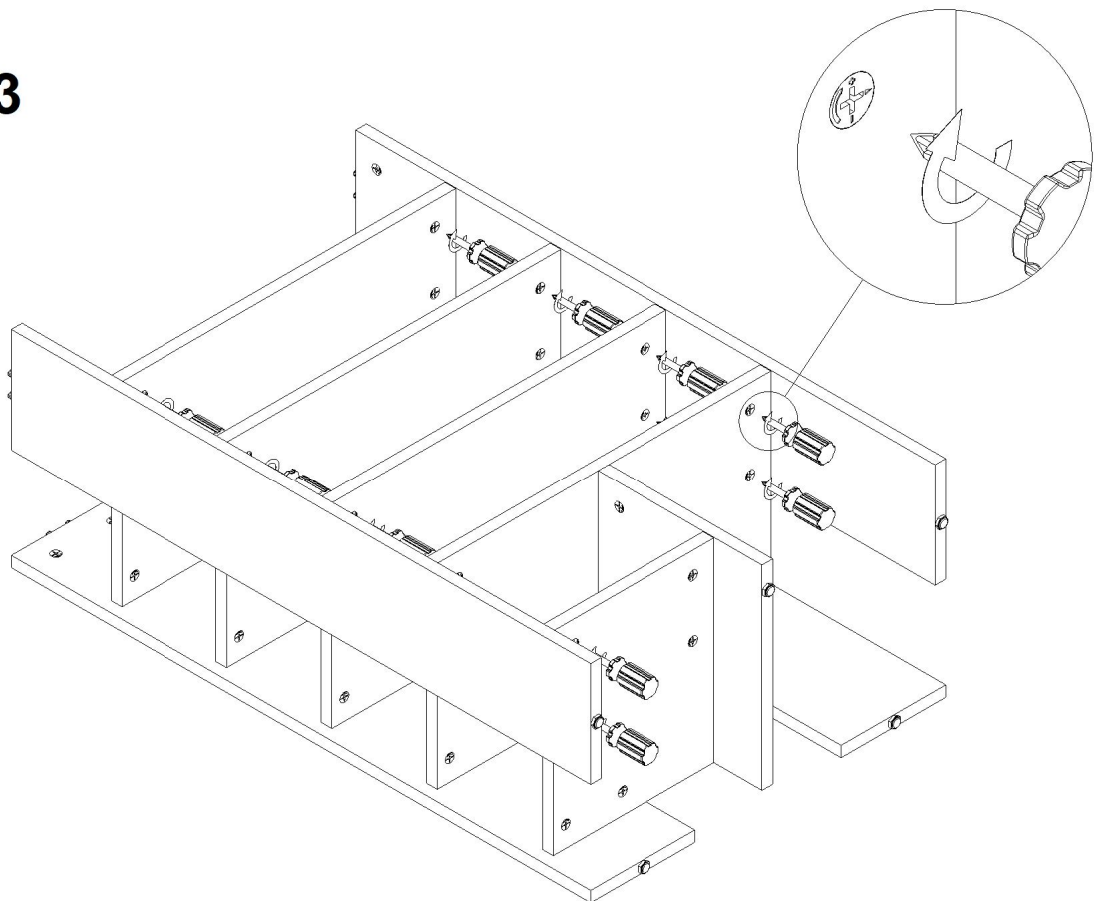
## STEP 11



# STEP 12

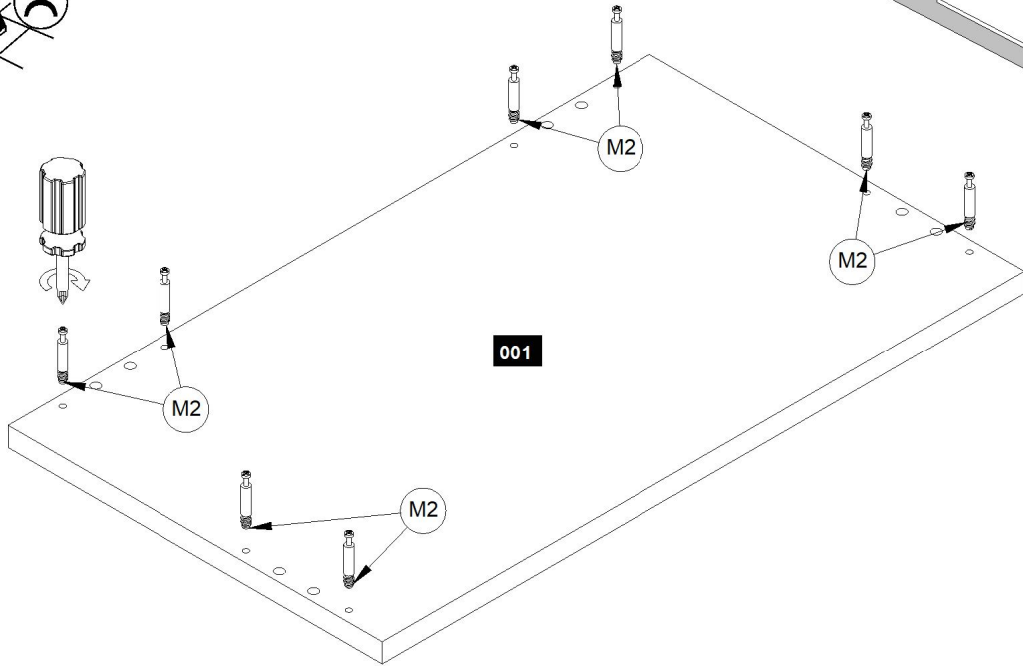
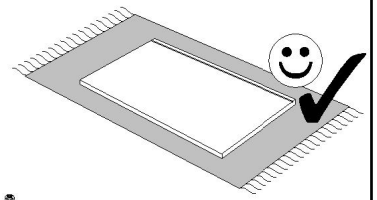
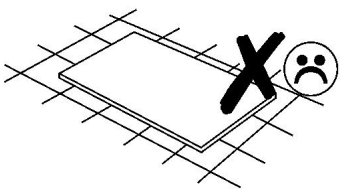


# STEP 13



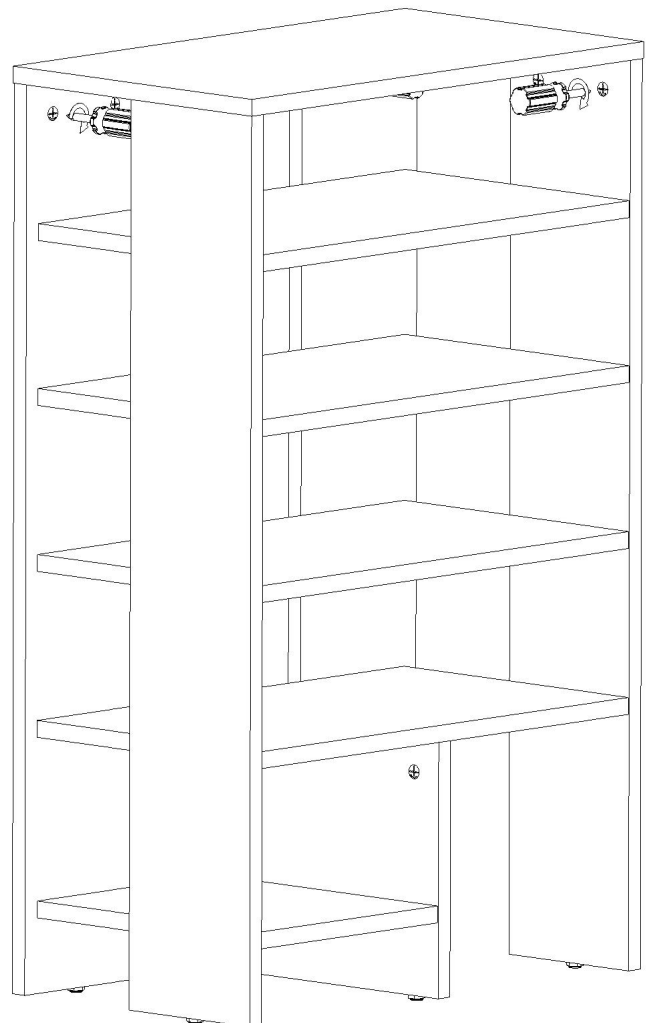
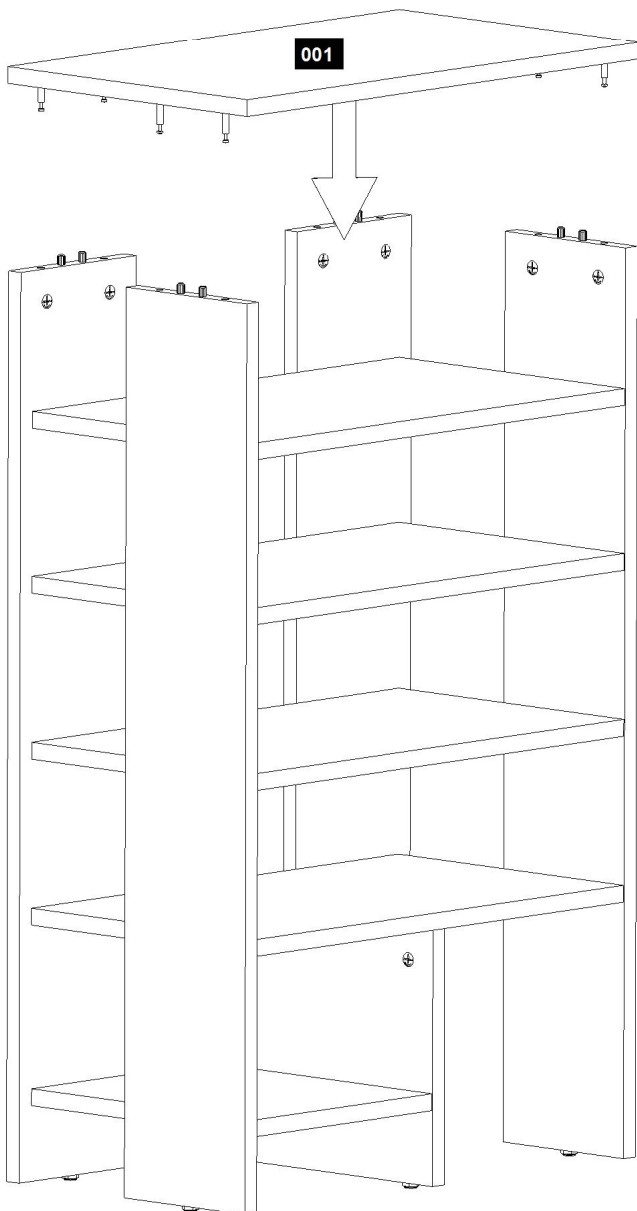


# STEP 14

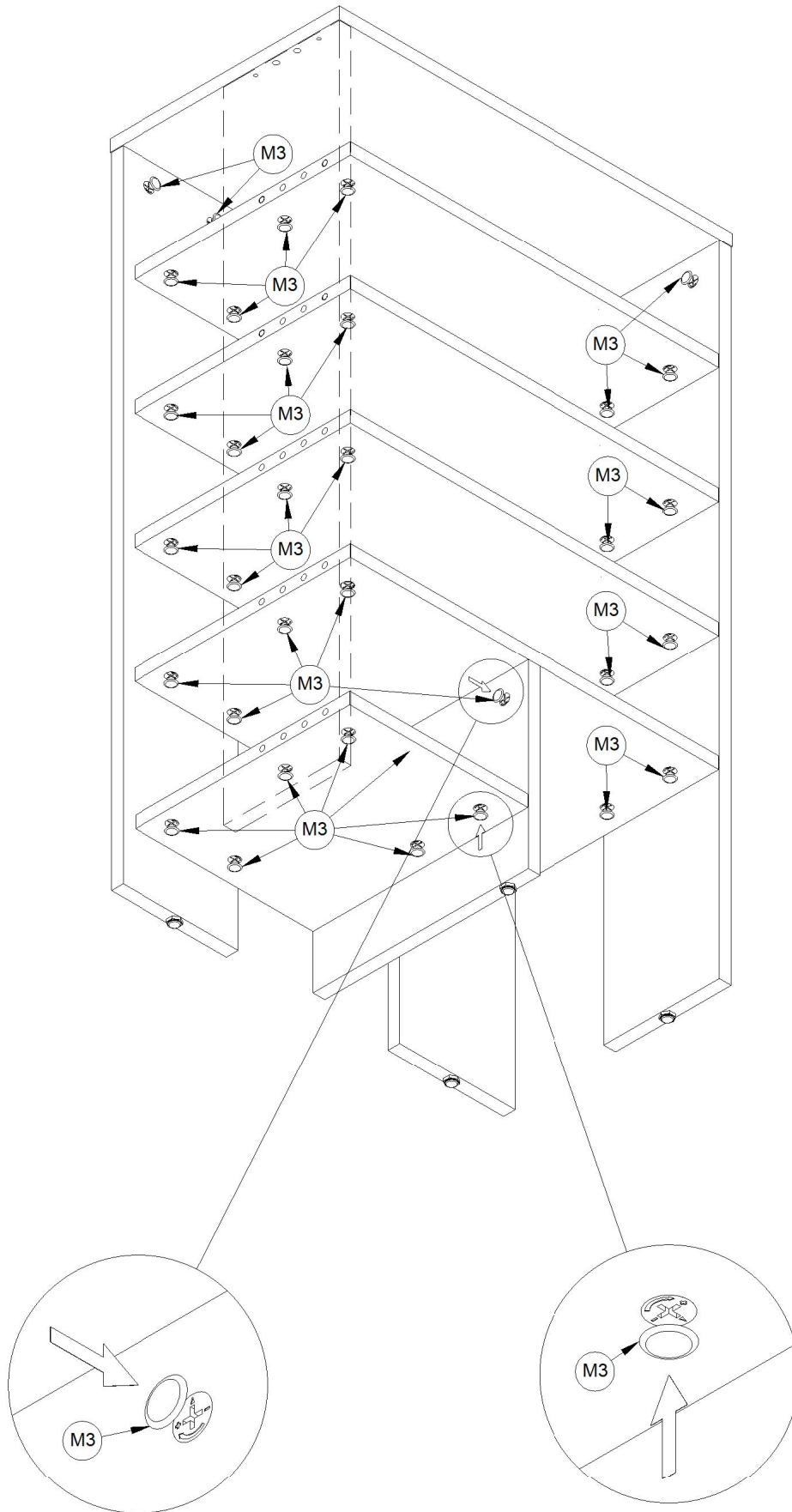


# STEP 15

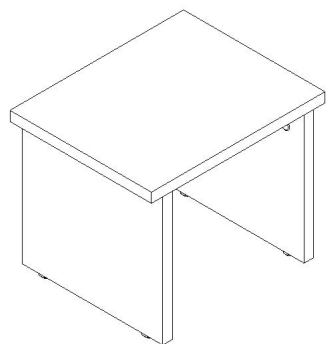
# STEP 16



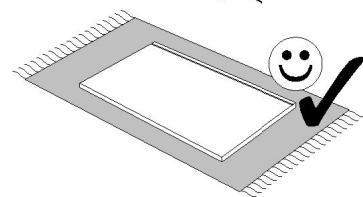
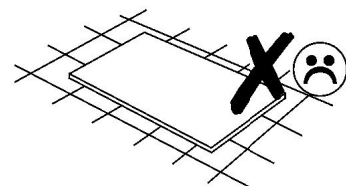
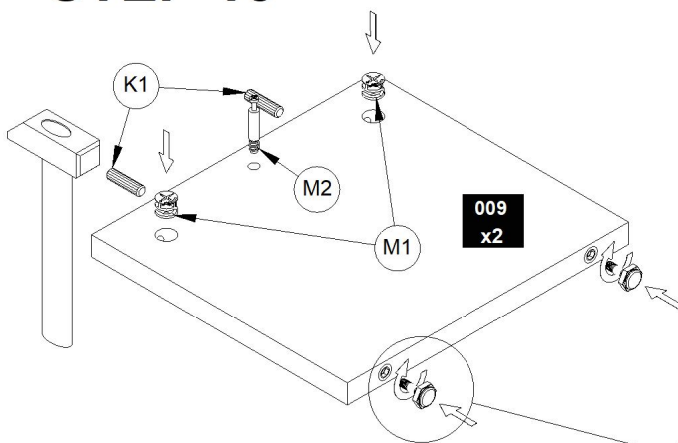
# STEP 17



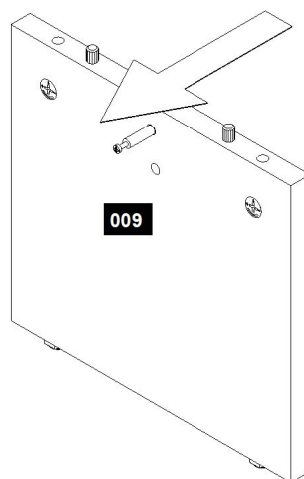
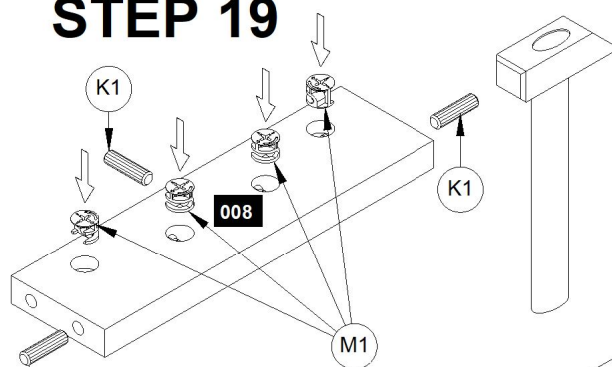




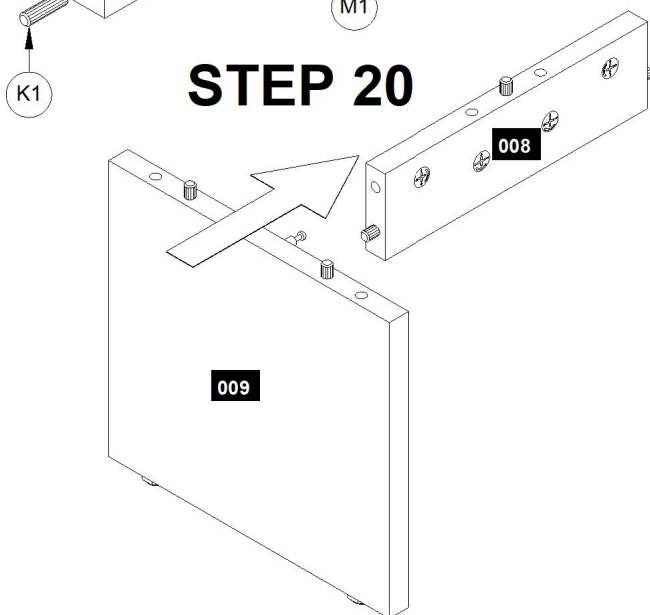
# STEP 18



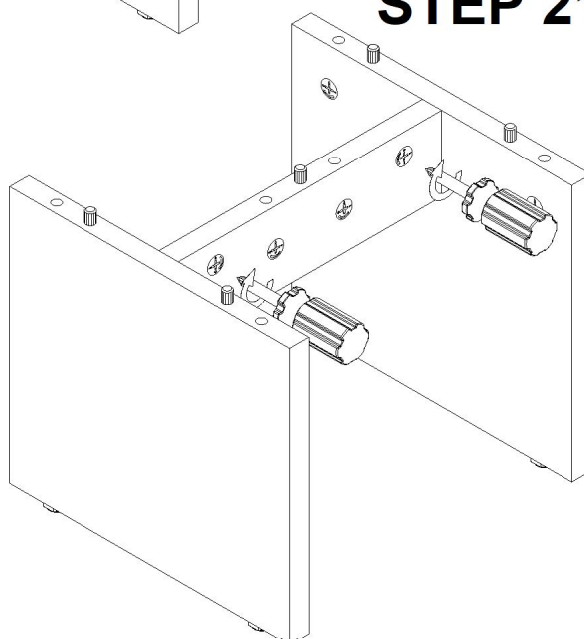
# STEP 19



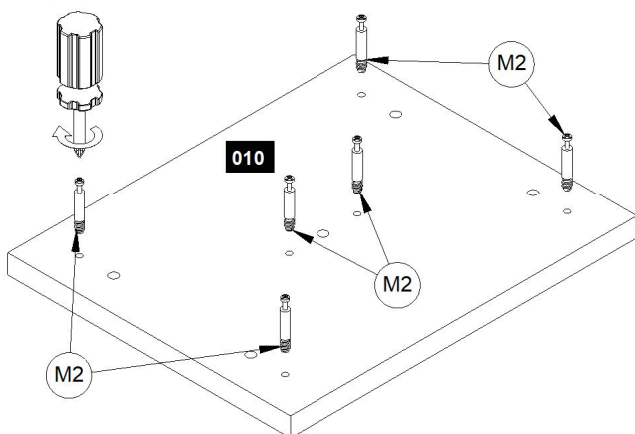
# STEP 20



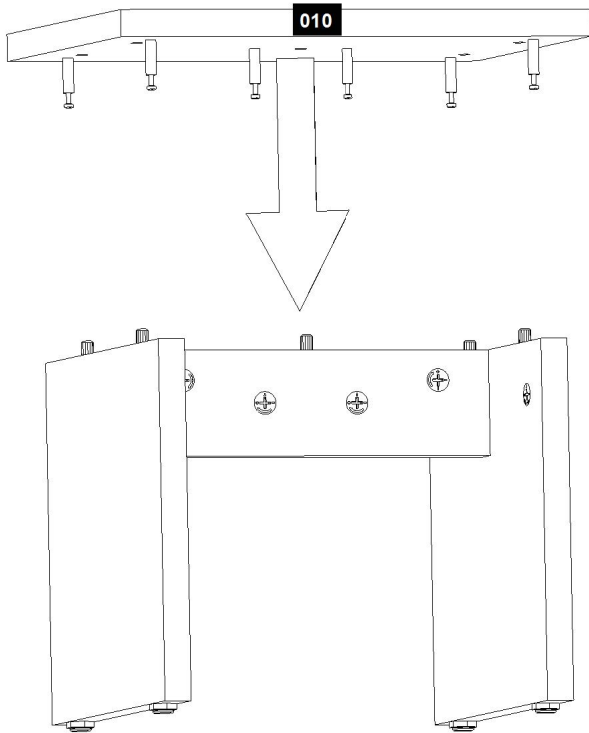
# STEP 21



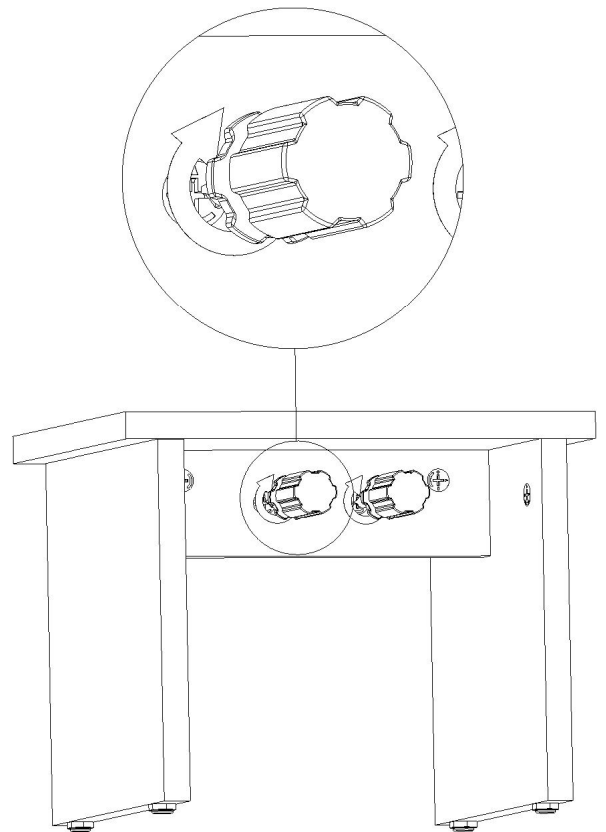
# STEP 22



## STEP 23



## STEP 24



## STEP 25

